

**LASER S.O.S. GROUP**  
TECHNOLOGY AND MARKET DRIVEN COMPANY!



# LAMP PUMPED LASER HEADS

High performance and reliability  
Issue 3.



---

Intelligent Solutions, Manufacturing & Development



# LASER S.O.S. GROUP

TECHNOLOGY AND MARKET DRIVEN COMPANY!

## LAMP PUMPED LASER HEADS

High performance and reliability

Laser S.O.S. Group was established over 24 years ago to service and support the rapidly expanding use of lasers in a wide range of industries. Today, it has become the leading international supplier of retrofit laser parts, consumables and associated laser products.

Laser S.O.S. Group manufactures its own diode and lamp pumped solid-state laser systems for a wide range of applications as well as supplying spares and consumables for over 200 different laser systems.

The company's international growth has been achieved by providing not only outstanding service and technical support, but also intelligent solutions based on in-house manufacturing capabilities and development activities. The customer support expertise is always based on technically feasible and cost effective solutions. Laser S.O.S. Group core business sectors are industrial, diamond, jewellery, medical and the scientific community.

Laser S.O.S. Group welcomes all parties to visit our facilities and discuss any aspect of laser technology and its applications. Our technical specialists will be pleased to discuss how today's laser technologies can be used to benefit and improve your organisation's current operations.

Antoni W Koszykowski  
C.E.O.

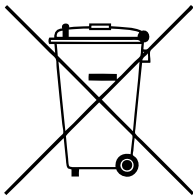
## RoHS and WEEE conformity statements

As a company, Laser SOS actively embraces its legal and environmental obligations outlined by the WEEE and RoHS directives. We see these regulations as a positive and responsible change to protect the environment.



### RoHS

All products that are subject to the European Community directive 2002/95/EC supplied by Laser SOS from 1st July 2006 are compliant with the requirements. Such products are marked with the RoHS symbol (adjacent).



### WEEE

All products that are subject to the WEEE Directive 2002/96/EC supplied by Laser SOS from 13th August 2005 are compliant with the WEEE marking requirements. Such products are marked with the “crossed out whee bin” WEEE symbol shown on the left in accordance with European Standard EN 50419. Our WEEE Producer registration number is WEE/EF0248QZ.



# LAMP PUMPED LASER HEADS

High performance and reliability

## INDEX

### AB LASER

CHBA600	600, 601, 612, 615 .....	61
CHBA6000	2000, 6000, BLS 611, 615, LBI 600 COMP.....	131
CHBASTARMARK65	StarMark SM65 .....	210
CHBASTARMARK90	StarMark SM90 .....	213
CHBASTARMARK150	StarMark SM150.....	216

### ALLTEC

CHBAFOBA100	LN100W.....	182
-------------	-------------	-----

### ALPHA LASER

CHBAALS35S	ALS35S, SL50, SL50P .....	176
CHBAALS75	ALS75, AL100, ALV100, ALW100, ALM150.....	179

### BAASEL LASERTECHNIK

CHBA600	600, 601, 612, 615.....	61
CHBA6000	2000, 6000, BLS 611, 615, LBI 600 COMP.....	131
CHBASTARMARK65	StarMark SM65 .....	210
CHBASTARMARK90	StarMark SM90 .....	213
CHBASTARMARK150	StarMark SM150.....	216
CHBASTARWELD	StarWeld 4002, 5002, 6002.....	219

### BENTZY LASER

CHBA3117E	Diamond Processing Laser .....	110
-----------	--------------------------------	-----

### CHICAGO LASER

CHBA510	CLS510.....	43
CHBA520	CLS520.....	17
CHBA512	CLS37S.....	46
CHBA708	CLS37S.....	76
CHBA712	CLS37W, CLS39, CLS907, CLS960, CLS977 .....	79
CHBA812	CLS39, CLS907, CLS947, CLS977 .....	82

### CONTROL LASER

CHBA510	510.....	43
CHBA512	512.....	46
CHBA258	258, H-518.....	17
CHBA520	520.....	17
CHBA530	530, 532, 534, 536, 630.....	49
CHBA612	612, Elite, Signature, Emblem .....	64
CHBA620	620.....	70
CHBA400	400, 428, 438, 440-8, 440-16.....	40
CHBA612PLUS	512 Plus, Signature 100, Script 100.....	67

## CRAFFOD PRECISION PRODUCTS

CHBA7000	LaserStar 7000 Series .....	134
----------	-----------------------------	-----

## E.S.I

CHBA510	25, 44.....	43
CHBA512	44 (512).....	46
CHBA520	44 (520).....	17
CHBA570	44, 80, 4000A, 4200, 3570 (Old Model) .....	52
CHBA571	44, 80, 4000A, 4200, 3570 (New Model) .....	55
CHBA573	3573.....	58

## EXCALIBUR

CHAB3117	XLS572.....	107
----------	-------------	-----

## FLOROD

CHBA512	40, 41, 40, 70.....	46
CHBA712	MEL 40 .....	79

## FOBA

CHBAFOBA100	90MK-DT, 94S .....	182
-------------	--------------------	-----

## FOX

CHBA4114	7400.....	101
----------	-----------	-----

## GENERAL SCANNING

CHBA718	400, 800.....	82
CHBA818	400, 800, 6000.....	92
CHBA7180	Hi-Mark 400.....	140
CHBA8180	Hi-Mark 400, HM800 .....	149

## GSI LUMONICS

CHBA718	400, 800.....	82
CHBA818	400, 800, 6000.....	92
CHBA4116	Lightwriter.....	119

## HAAS

CHBAHAAS	HL353D, HL506D, DL703D, HLI003D, HLI006D, HLI504D, HL2006D, HL3006D, HL4006D .....	185
----------	---	-----

## HOLOBEAM

CHBA510	255, 256.....	43
CHBA258	257, 258.....	17
CHBA530	2660.....	49

## JEC

CHBA510	1020, 1028.....	43
CHBA512	1024.....	46

## LASAG

CHBALAK101	LAK101, KLS111, LAK100, KLS016.....	188
CHBALAK301	LAK301-302, LPM301-302 .....	190
CHBALAK322	LAK332, KLS321-322 .....	192
CHBA342	LAK342, KLS246-040FC.....	26
CHBALAK400	LAK400-401.....	194
CHBALAK601	LAK600-601.....	196

## LASER APPLICATIONS/LASERMETRICS

CHBA9555	9555.....	158
CHBA9560	9560.....	161

# LAMP PUMPED LASER HEADS

High performance and reliability

## LASER IDENTIFICATION SYSTEMS

CHBA4116	WaferMark 345, II.....	119
----------	------------------------	-----

## LASER OPTRONICS

CHBA747	747.....	85
CHBA767	767.....	87

## LASER SOS

CHBA323	323 Series, 30 W, 7 W TEM <sub>00</sub> @ 1kHz.....	20
CHBA324	324 Series, 40 W average power .....	20
CHBA333	333 Series, 50 W, 11 W TEM <sub>00</sub> @ 1 kHz.....	23
CHBA334	334 Series, 60 W average power .....	23
CHBA353	353 Series, 50 W TEM <sub>00</sub> CW.....	28
CHBA354	354 Series, 120–135 W average power .....	31
CHBA364	364 Series, 150–160 W average power .....	34
CHBA374	374 Series, 30 W TEM <sub>00</sub> .....	37
CHBA854	854 Series, 80 W average power .....	95
CHBA3540/C	3540 Series, 120–135 W .....	113
CHBA3640/C	3640 Series, 150–160 W .....	116
CHBA7184	7184 Series, 16 W TEM <sub>00</sub> @ 4kHz.....	146
CHBA8955	8955 Series, 120 W average power .....	155
CHBA8956	8956 Series, 150 W average power .....	155
CHBA9625	9625 Series, 120 W average power, pulse energy 60 Joules .....	164
CHBA9635	9635 Series, 250 W average power .....	167
CHBA9725	9725 Series, 150 W average power .....	170
CHBA9754	9754 Series, 80 W average power .....	170
CHBA9755	9755 Series, 120 W average power .....	170
CHBA9800	9800 Series .....	173

## LASIT

CHBA854	EasyMark & Fleximark 80 W & 120 W (upto 2006).....	95
CHBA9754	EasyMark & Fleximark 80 W & 120 W (from 2007) .....	170

## LEE LASER

CHBA650	650/CD.....	73
CHBA708	708.....	76
CHBA712	712.....	79
CHBA718	715, 718.....	82
CHBA812	808, 812.....	89
CHBA818	815, 818.....	92
CHBA7180	715, 718.....	140
CHBA8180	815; 818; 825; 825S; 825ST .....	149
CHBA8183	818TQ.....	152

## LS LASER SYSTEMS

CHBAMLS035	MLS035.....	201
------------	-------------	-----

## M.L.S.

CHBAMLS035	MLS035.....	201
------------	-------------	-----

## N.E.C.

CHBASLI14	SLI14A, I14F, I44G, SL475H.....	204
-----------	---------------------------------	-----

## ORZIV

CHBA3117	200I.....	107
----------	-----------	-----

<b>OTARI</b>		
CHBA118	118 (250W) .....	11
CHBA118CC	118CC(350W).....	14
<b>PFAFFEN</b>		
CHBA600	DS-5000.....	61
<b>PHOTON TECHNOLOGY</b>		
CHBA7184	Laser SOS 7184 .....	146
<b>POSITIVE LIGHT</b>		
CHBAMERLIN	Merlin .....	198
<b>QUANTUM LASER</b>		
CHBA854	MaxiMark 80 W.....	95
<b>QUANTRAD</b>		
CHBA510	1733.....	43
CHBA512	1969.....	46
CHBA9555	9555, Blazer 2000, Comet, Galaxy.....	158
<b>QUANTRONIX</b>		
CHBA118	118.....	11
CHBA118CC	118CC Close Coupled .....	14
CHBA3116	116, 604, 416.....	104
CHBA3117	117.....	107
CHBA3114	114, 602, 603.....	101
CHBA4114	114, 602, 603.....	101
CHBA4116	116, 604, 416.....	119
CHBA4116YLF	4116, 4216.....	122
CHBA4117	117, Q-MARK.....	125
CHBA4217YLF	4217.....	128
CHBA6117	117 (150 W) .....	134
<b>RAYTHEON</b>		
CHBASS500	SS500 .....	206
CHBASS550	SS550 .....	208
<b>ROFIN BAASEL</b>		
CHBA600	600, 601, 612, 615.....	61
CHBA6000	2000, 6000, BLS 611, 615, LBI 600 COMP.....	131
CHBASTARMARK65	StarMark SM65 .....	210
CHBASTARMARK90	StarMark SM90 .....	213
CHBASTARMARK150	StarMark SM150.....	216
CHBASTARWELD	StarWeld Series 4002, 5002, 6002 .....	219
<b>ROFIN SINAR</b>		
CHBA767	EverMark 8070, 815, 860.....	87
<b>SAHAJANAND LASER</b>		
CHBA612PLUS	HallMark .....	67
CHBA7183	Lee Laser 718TQ .....	143
CHBA7184	Laser SOS 7184 .....	146
CHBA8183	Lee Laser 818TQ .....	152
<b>S.E.I.</b>		
CHBA854	S.E.I. 80W .....	95
CHBA8955	S.E.I. 120W .....	155



# LAMP PUMPED LASER HEADS

High performance and reliability

## SIRO LASERTEC

CHBAALS35S	Thunder, Thunderstorm.....	176
CHBAALS75	Tornado, Hurricane .....	179

## SPECTRA PHYSICS

CHBA570	3000.....	52
CHBA571	3000.....	55
CHBA573	3000, 3400.....	58
CHBA712	3800.....	79
CHBAMERLIN	Merlin .....	198

## TERADYNE

CHBA510	311, H-507.....	43
CHBA512	411, H-514, WD411 .....	46
CHBA712	W614, W670 .....	79
CHBA4114	M118 .....	101
CHBA4116	W419, W421, W429, W614, M118.....	119

## T.L.T.

CHBA9560	800.....	161
CHBA1200	1200, 1400.....	98
CHBA3117	2400.....	107

## TRUMPF

CHBAHAAS	HL353D, HL506D, DL703D, HLI003D, HLI006D, HLI504D, HL2006D, HL3006D, HL4006D .....	185
----------	---	-----

## UNIVERSAL LASER SYSTEM

CHBA812	Lee Laser 808, 812 .....	89
---------	--------------------------	----

## ZANABONI

CHBA600	Baasel 600 Series, 60 W .....	61
---------	-------------------------------	----



# LAMP PUMPED LASER HEADS

High performance and reliability



## Part No: CHBA118

**LASER SYSTEMS:** Quantronix 118, 250 Watt

**DESCRIPTION:** High Stability Single-Lamp Pumped Solid-State Laser Chamber used for precision cutting, annealing and welding.

### ASSEMBLIES:

REFERENCE	PART NUMBER	DESCRIPTION
1	ORK118	O-Ring Kit
2	GCA118	Gold Cavity Assembly, Complete
3	BA118	Head Block Assembly (Less Cavity Reflector, YAG Rod & Lamp Assemblies)
4	HBA118	Head Block Assembly (Less YAG Rod & Lamp Assemblies)
5	CHBA118	Complete Head Block Assembly (Includes 7 mm Rod)

## Part No: CHBA118

### LASER HEAD COMPONENTS:

REFERENCE	PART NUMBER	DESCRIPTION
1	CHI18T	Cavity Refelctor Holder, Top
2	CHI18B	Cavity Reflector Holder, Bottom
3	GCEI18	Gold Cavity Reflector
4	CM114	Coolant Manifold Required for Water Fittings
5	CEPI18	Cavity End Plate
7	LSI18/LSI18A	Light Shield Sleeve (2 Required)
8	ORKI18	O-Ring, Silicone (Included in Kit)
9	LHB117	Lower Head Block
11	CPP114	Crystal Pressure Plate, Front
12	LPPI14	Lamp Pressure Plate, Front
14	LEPI14	Lamp End Plate
16	UHB117	Upper Head Block
17	WF033	Water Fitting for Coolant Manifold CM114
19	YRI18	YAG Rod, 7 mm, Unmounted
21	YRAI18	YAG Rod Assembly, Complete
23	RFT118	Rod Flow Tube
24	YRHI18	YAG Rod Holder
27	PR116	Pressure Ring
28	RR116	Retaining Ring
29	CNI14	Crystal Nut
30	ORKI18	O-Ring Silicone, 7 mm
32	PTI18	Pressure Tube
34	LFT118	Lamp Flow Tube, Pyrex
35	LFT118CE	Lamp Flow Tube, Cerium Doped Quartz
36	LLI18	Laser Lamp
38	PWI49	Pressure Washer
39	CSA116	Cathode Socket Assembly
40	ASA116	Anode Socket Assembly
41	ORN804	O-Ring Nitrile (10PCES/PKT)
42	THR150	Threaded Retainer

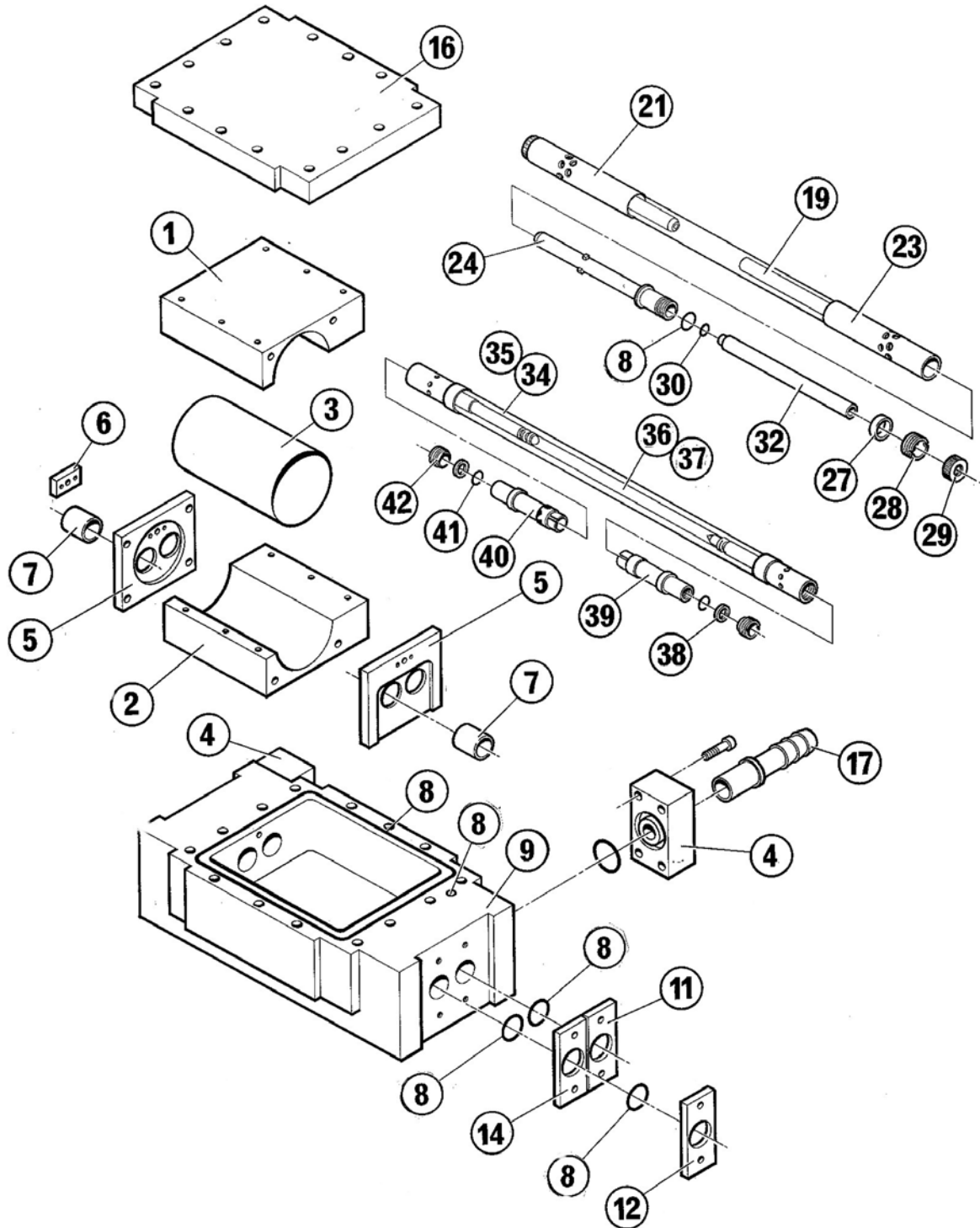
### FREQUENTLY USED CONSUMABLES:

REFERENCE	ITEM	PART NUMBER
1	LFT118	Lamp Flow Tubes, Pyrex
2	LFT118CE	Lamp Flow Tube, Ce doped quartz
3	CSA116	Cathode Socket Assembly
4	ASA116	Anode Socket Assembly
5	LLI18	Laser lamp
6	D8811	DI Cartridge
7	PF30	Particle Filter

# LAMP PUMPED LASER HEADS

High performance and reliability

Part No: CHBA118



# LAMP PUMPED LASER HEADS

High performance and reliability



**Part No: CHBAI18CC**

**LASER SYSTEMS:** Quantronix I18 Close Coupled, 350W

**DESCRIPTION:** Single-Lamp Pumped Solid-State Laser Chamber used for precision cutting, annealing and welding.

**ASSEMBLIES:**

REFERENCE	PART NUMBER	DESCRIPTION
1	ORKI18	O-Ring Kit
2	GCAI18CC	Gold Cavity Assembly, Complete
3	BAI18	Head Block Assembly (Less Cavity Reflector, YAG Rod & Lamp Assemblies)
4	HBAI18CC	Head Block Assembly (Less YAG Rod & Lamp Assemblies)
5	CHBAI18CC	Complete Head Block Assembly (Includes 7 mm Rod)
6	YRAI18	YAG Rod Assembly, Complete, 7 mm × 147 mm

## LASER HEAD COMPONENTS:

REFERENCE	PART NUMBER	DESCRIPTION
1	CHI18TCC	Cavity Reflector Holder, Top
2	CHI18BCC	Cavity Reflector Holdter, Bottom
3	GCEI18CC	Gold Cavity Reflector
4	CMI14	Coolant Manifold Required For Nylon Water Fittings
5	CEPI18CC	Cavity End Plate
7	LSI18/LSI18A	Light hshield Sleeve (2 Required)
8	ORKI18	O-Ring, Silicone (Included in Kit)
9	LHB118CC	Lower Head Block
11	CPP114	Crystal Pressure Plate, Front
12	LPP114	Lamp Pressure Plate, Front
14	LEPI14	Lamp End Plate
16	UHB117	Upper Head Block
17	WF033	Water Fitting, Stainless Steel
19	YRI18	YAG Rod, 7 mm, Unmounted
21	YRAI18	YAG Rod Assembly, Complete, 7 mm YAG Rod
23	RFT118	Rod Flow Tube
24	YRHI18	YAG Rod Holder
27	PR116	Pressure Ring
28	RR116	Retaining Ring
29	CNI14	Crystal Nut
30	ORKI18	O-Ring, Silicone, 7 mm
32	PT118	Pressure Tube
34	LFT118	Lamp Flow Tube
35	LFT118CE	Lamp Flow Tube, Cerium Doped Quartz
36	LLI18	Laser Lamp
38	PWI49	Pressure Washer
39	CSA116	Cathode Socket Assembly
40	ASA116	Anode Socket Assembly
41	ORN804	O-Ring Nitrile (10 PCES/PKT)
42	THR150	Threaded Retainer

## FREQUENTLY USED CONSUMABLES:

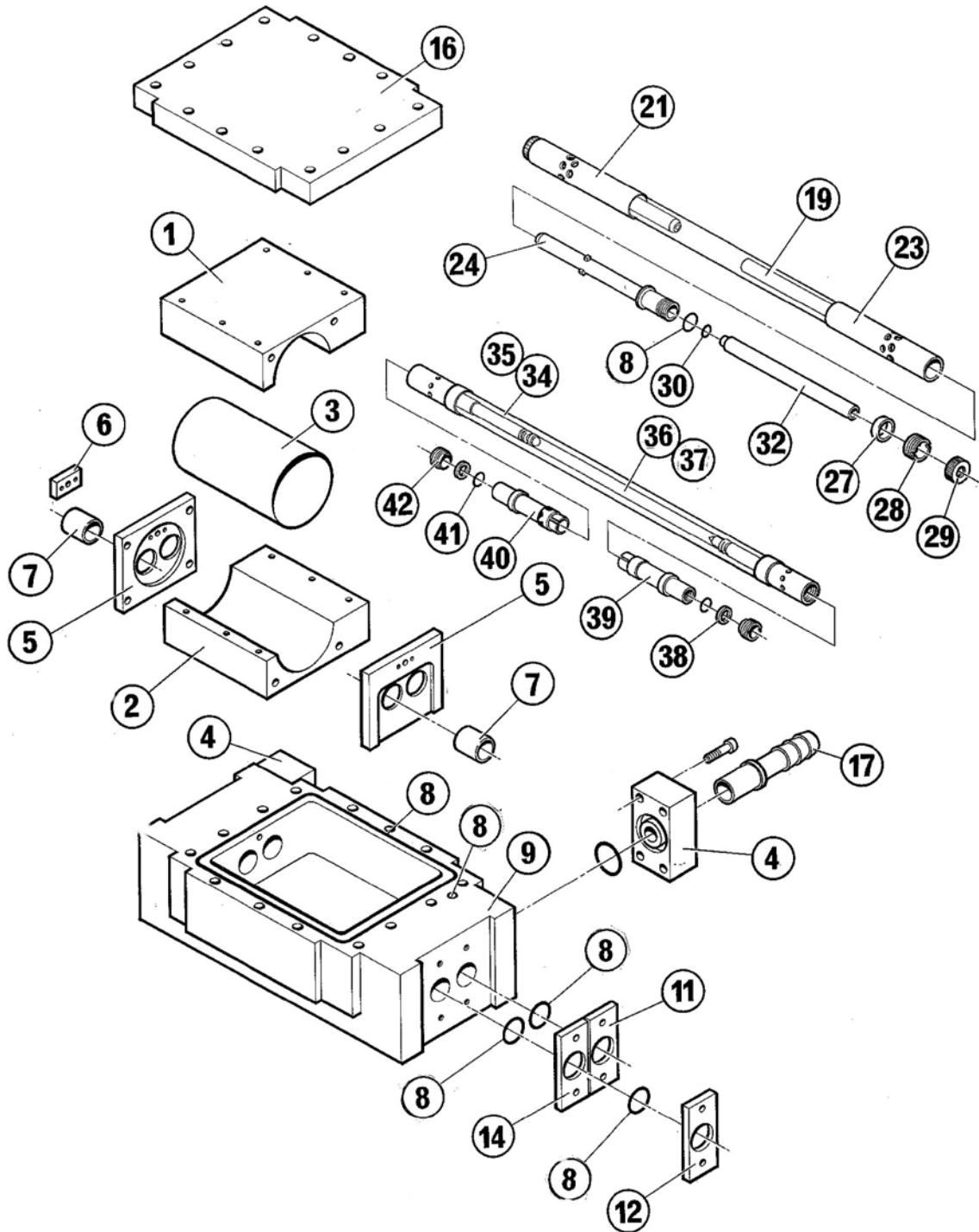
REFERENCE	ITEM	PART NUMBER
1	LFT118	Lamp Flow Tube, Pyrex
2	LFT118CE	Lamp Flow Tube, ce doped Quartz
3	CSA116	Cathode Socket Assembly
4	ASA116	Anode Socket Assembly
5	LLI18	Laser Lamp
6	D8811	DI Cartridge
7	PF30	Particle Filter

Other consumables upon request.

# LAMP PUMPED LASER HEADS

High performance and reliability

## Part No: CHBAI18CC



Intelligent Solutions, Manufacturing & Development



# LAMP PUMPED LASER HEADS

High performance and reliability



## Part No: CHBA258/C, CHBA520/C

**LASER SYSTEMS:** Holobeam 258, Control 520, H-518, Blazer, ESI 44, Chicago Laser CLS37, Laser Applications, Quantrad, JEC

**DESCRIPTION:** Single-Lamp Pumped Solid-State Laser Chamber used for laser trimming, wafer marking & diamond processing applications

### ASSEMBLIES:

REFERENCE	PART NUMBER	DESCRIPTION
1	ORK258	O-Ring Kit, 3 mm Rod
2	GC258	Gold Cavity Assembly, Complete
3	BA258	Head Block Assembly (Less Cavity, YAG Rod, Lamp & Carriage)
4	HBA258	Head Block Assembly (Less YAG Rod, Lamp & Carriage)
5	CHBA258	Head Block Assembly, Complete (Less Carriage)
6	CHBA258/C	Complete Head Block Assembly, 3 mm Rod, TEM <sub>00</sub>
7	CHBA520	Head Block Assembly, Complete (Less Carriage)
8	CHBA520/C	Complete Head Block Assembly, 4 mm Rod, Multimode

## Part No: CHBA258/C, CHBA520/C

### LASER HEAD COMPONENTS:

REFERENCE	PART NUMBER	DESCRIPTION
1	HB510	Head Bolt, Stainless Steel
2	HBW510	Head Bolt Washer, Nylon
3	GCE258	Cavity Ellipse, Gold Plated
4	RFT258	Rod Flow Tube, Pyrex
5	LFT258X	Lamp Flow Tube
6	LL520S	Krypton Arc Lamp, 40 Amps, 110–122 V
7	CEP258R	Cavity End Plate, Right, Gold Plated
8	TLS258R	Teflon Light Shield, Right
9	TLS258L	Teflon Light Shield, Left
11	ORT3MM	O-Ring, 3 mm, Teflon (Included in Kit)
12	YR258	YAG Rod Crystal Only, 3 mm Rod TEM <sub>00</sub>
13	YR479	YAG Rod Crystal Only, 4 mm Rod Multimode
14	YRA258	YAG Rod Assembly, Mounted, TEM <sub>00</sub>
15	YRA520	YAG Rod Assembly, 4 mm Rod, Multimode
16	RG258	Rod Guide For 3 mm Rod
17	RG520	Rod Guide For 4 mm Rod
18	REC510	Rod End Cap
19	DB510	Dust Boot
20	WF021	Water Fitting, Head Block & Q-Switch
21	WF012	Water Fitting Stainless Steel 3/4 – 16 × 1/2"
22	LHB258	Lower Head Block
23	HVP258	Hight Voltage Pin
24	LTB258	Lamp Terminal Block
25	LC258	Lamp Clip, Gold Plated
26	CEP258L	Cavity End Plate, Left, Gold Plated
27	UHB258	Upper Head Block
28	FIN258	Heat Sink, Aluminium
29	ORK258	O-Ring, Silicone (Included in Kit)
30	ORK258	O-Ring, Silicone (Included in Kit)
31	CC258	Cable Cap
32	LHC258	Head Carriage
33	ORK258	O-Ring, Silicone (Included in Kit)
34	ORK258	O-Ring, Teflon (Included in Kit)
35	CLA500	Carriage Locking Assembly
36	LL4522S	Krypton Arc Lamp (Extended Arc Length) 40 Amps
37	ORK258	O-Ring, Silicone (Included in Kit)
38	ORT4MM	O-Ring, 4 mm, Teflon (included in Kit)
39	RFT258C	Rod Flow Tube, Doped

### FREQUENTLY USED CONSUMABLES:

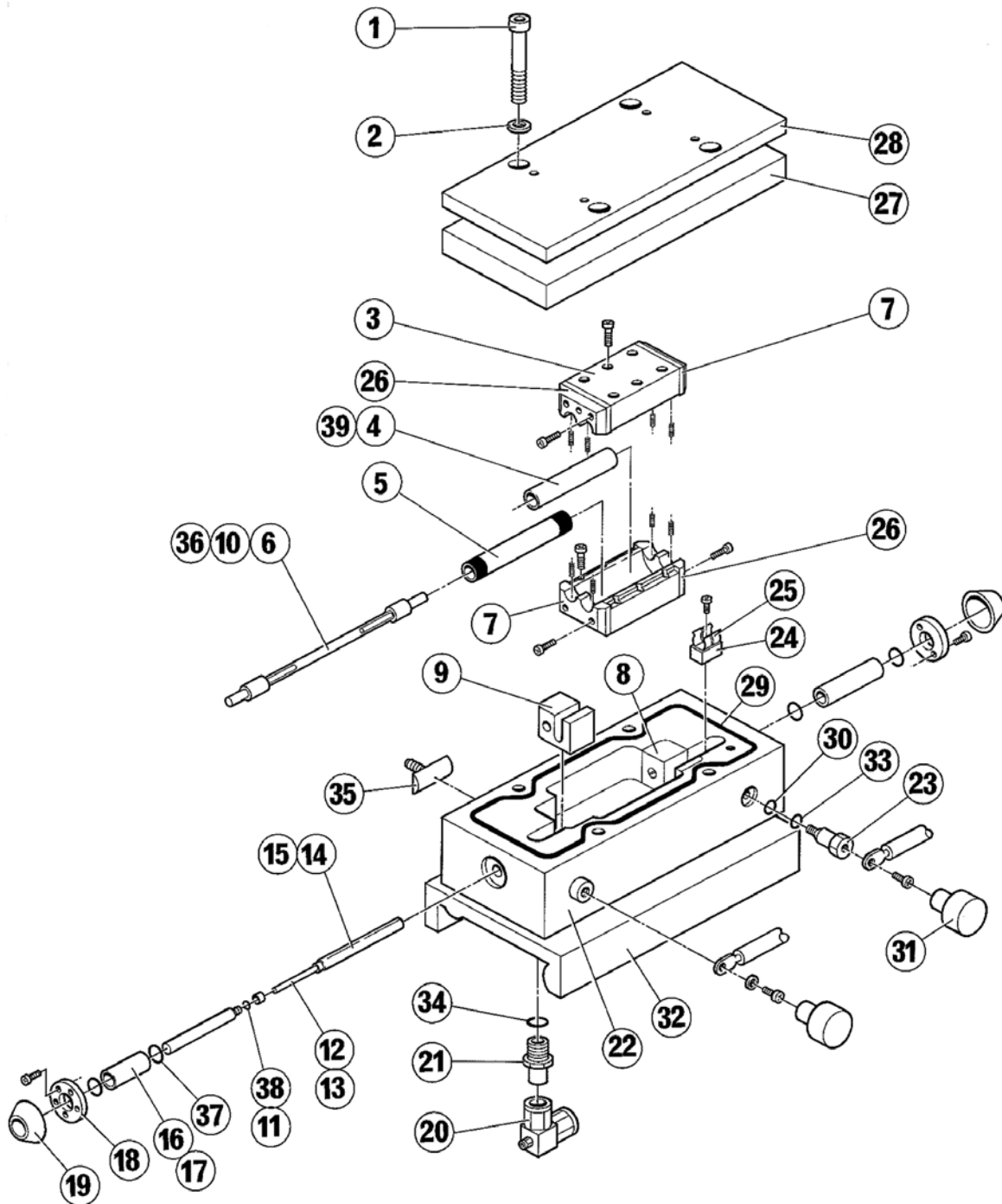
REFERENCE	ITEM	PART NUMBER
1	Lamp, 40 Amp 110–122 V	LL520S
2	Lamp Flow Tube	LFT258X
3	Front Mirror 80% R	MR3M80RHC
4	Rear Mirror HR	MR3M100RHC

Other consumables upon request

# LAMP PUMPED LASER HEADS

High performance and reliability

Part No: CHBA258/C, CHBA520/C



# LAMP PUMPED LASER HEADS

High performance and reliability



**Part No: CHBA323/C, CHBA324/C**

**LASER SYSTEMS:** LASER S.O.S. Compact Series, 30–40 Watts, 7W TEM<sub>00</sub> @ 1kHz

**DESCRIPTION:** Single-Lamp Pumped Solid-State Laser Chamber used for precision marking & laser trimming applications.

## ASSEMBLIES:

REFERENCE	PART NUMBER	DESCRIPTION
1	ORK323	O-Ring Kit 3 mm Rod
2	ORK324	O-Ring Kit 4 mm Rod
3	GC302	Gold Cavity Assembly, Complete
4	BA300	Head Block Assembly (Less Cavity, YAG Rod, Lamp & Carriage)
5	HBA302	Head Block Assembly (Less YAG Rod, Lamp & Carriage)
6	CHBA323	Complete Head Block Assembly (Less Carriage), 3 mm Rod, Average Power = 30 W
7	CHBA323/C	Complete Head Block Assembly 3 mm Rod, Average Power = 30 W
8	CHBA324	Complete Head Block Assembly (Less Carriage), 4 mm Rod, Average Power = 40 W
9	CHBA324/C	Complete Head Block Assembly, 4 mm Rod, Average Power = 40 W

# Part No: CHBA323/C, CHBA324/C

## LASER HEAD COMPONENTS:

REFERENCE	PART NUMBER	DESCRIPTION
1	HB300	Head Bolt, Stainless Steel
2	FIN300	Head Sink, Aluminium
3	UHB300	Upper Head Block
4	CEP302	Cavity End Plate
5	GCE302	Cavity Ellipse, Gold Plated
6	FT320	Flow Tube, Rod
7	FT320	Flow Tube, Lamp
8	LL873	Laser Lamp, 30 A
9	YRH323	YAG Rod Holder, 3 mm Rod
10	YRH324	YAG Rod Holder, 4 mm Rod
11	LC708	Lamp Contact Band, Gold Plated
12	LCB300	Lamp Contact Block
13	LTB300	Lamp Terminal Block
14a	YRA323	YAG Rod Assembly, 3 × 108 mm Rod, Multi Mode
14b	YRA324	YAG Rod Assembly, 4 × 108 mm Rod, Multi Mode
15	ORT3MM	O-Ring, Teflon, 3 mm Rod
16	ORT468	O-Ring, Teflon, 4 mm Rod
17	REC300	Rod End Cap
18	RG300	Rod Guide
19	DB300	Dust Boot
20	SEE KIT	O-Ring, Silicone (Included in Kit)
21	SEE KIT	O-Ring, Silicone (Included in Kit)
22	LHB300	Lower Head Block
23	LHC300	Lower Head Carriage
24	HVP570	High Voltage pin
25	WF012	Water Fittings 3/4" – 16 × 1/2"
26	WF021	Elbow Water Fitting, 1/2" for Q-Switch
27	HOSETAIL1/2	Hosetail 1/2" Barbed
28	CLA500	Carriage Locking Assembly
29	HVC800	High Voltage Cap
30	YR354PG	YAG Rod, 3 × 54 mm, TEM <sub>00</sub> , Unmounted
31	YR510	YAG Rod, 4 × 54 mm, Multi Mode, Unmounted

## FREQUENTLY USED CONSUMABLES:

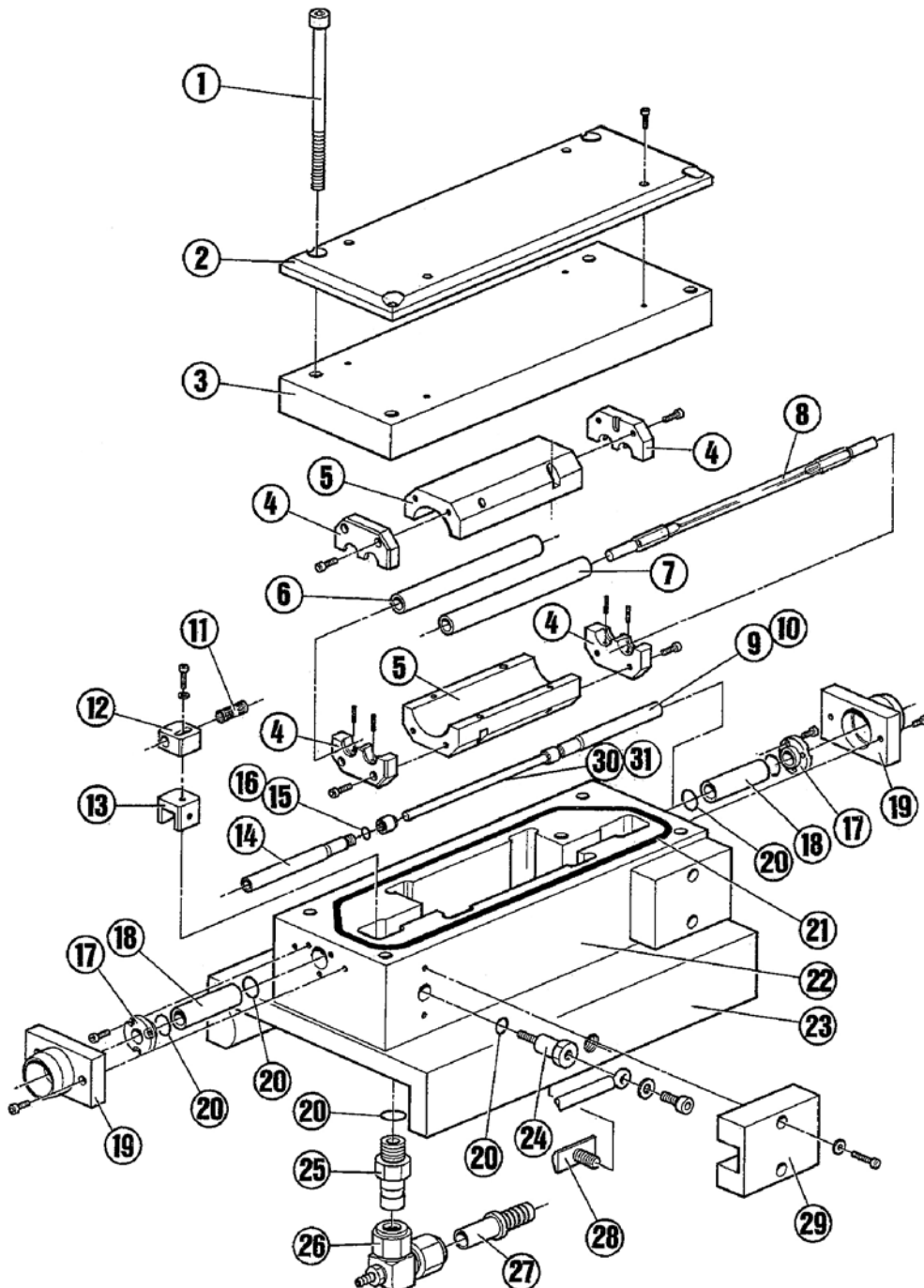
REFERENCE	ITEM	PART NUMBER
1	Lamp, 30Amp	LL873
2	Lamp & Rod Flow Tube	FT320
3	O-Ring Kit	ORK323
4	O-Ring Kit	ORK324
5	DI Cartridge	D150
6	Particle Filter	PF75
7	Front Mirror 80% R	MR3M80RHC
8	Rear Mirror HR	MR3M100RHC

Other consumables upon request.

# LAMP PUMPED LASER HEADS

High performance and reliability

## Part No: CHBA323/C, CHBA324/C



# LAMP PUMPED LASER HEADS

High performance and reliability



## Part No: CHBA333/C, CHBA334/C

**LASER SYSTEMS:** LASER S.O.S. Compact Series, 50–60 Watts, 11 W TEM<sub>00</sub> @ 1kHz

**DESCRIPTION:** Single-Lamp Pumped Solid-State Laser Chamber used for precision marking, engraving & laser trimming applications.

### ASSEMBLIES:

REFERENCE	PART NUMBER	DESCRIPTION
1	ORK323	O-Ring Kit 3 mm Rod
2	ORK324	O-Ring Kit 4 mm Rod
3	GC300	Gold Cavity Assembly, Complete
4	BA300	Head Block Assembly (Less Cavity, YAG Rod, Lamp & Carriage)
5	HBA300	Head Block Assembly (Less YAG Rod, Lamp & Carriage)
6	CHBA333	Complete Head Block Assembly (Less Carriage), 3 mm Rod, Average Power = 50 W
7	CHBA333/C	Complete Head Block Assembly 3mm Rod, Average Power = 50W
8	CHBA334	Complete Head Block Assembly (Less Carriage), 4 mm Rod, Average Power = 60 W
9	CHBA334/C	Complete Head Block Assembly, 4 mm Rod, Average Power = 60 W

## Part No: CHBA333/C, CHBA334/C

### LASER HEAD COMPONENTS:

REFERENCE	PART NUMBER	DESCRIPTION
1	HB300	Head Bolt, Stainless Steel
2	FIN300	Head Sink, Aluminium
3	UHB300	Upper Head Block
4	CEP300	Cavity End Plate
5	GCE300	Cavity Ellipse, Gold Plated
6	FT330	Flow Tube, Rod
7	FT330	Flow Tube, Lamp
8	LL873	Laser Lamp, 30A
9	YRH333	YAG Rod Holder, 3 mm Rod
10	YRH334	YAG Rod Holder, 4 mm Rod
11	LC708	Lamp Contact Band, Gold Plated
12	LCB300	Lamp Contact Block
13	LTB300	Lamp Terminal Block
14a	YRA333	YAG Rod Assembly, 3 × 108 mm Rod, Multi Mode
14b	YRA334	YAG Rod Assembly, 4 × 108 mm Rod, Multi Mode
15	ORT3MM	O-Ring, Teflon, 3 mm Rod
16	ORT468	O-Ring, Teflon, 4 mm Rod
17	REC300	Rod End Cap
18	RG300	Rod Guide
19	DB300	Dust Boot
20	SEE KIT	O-Ring, Silicone (Included in Kit)
21	SEE KIT	O-Ring, Silicone (Included in Kit)
22	LHB300	Lower Head Block
23	LHC300	Lower Head Carriage
24	HVP570	High Voltage Pin
25	WF012	Water Fittings 3/4" – 16 × 1/2"
26	WF021	Elbow Water Fitting, 1/2" for Q-Switch
27	HOSETAIL1/2	Hosetail 1/2" Barbed
28	CLA500	Carriage Locking Assembly
29	HVC800	High Voltage Cap
30	YR258	YAG Rod, 3 × 79 mm, TEM <sub>00</sub> , Unmounted
31a	YR479	YAG Rod, 4 × 79 mm, Multi Mode, Unmounted
31b	YR512	YAG Rod, 4 × 79 mm, TEM <sub>00</sub> , Unmounted

### FREQUENTLY USED CONSUMABLES:

REFERENCE	ITEM	PART NUMBER
1	Lamp, 30Amp	LL873
2	Lamp & Rod Flow Tube	FT330
3	O-Ring Kit	ORK333
4	O-Ring Kit	ORK334
5	DI Cartridge	DI50
6	Particle Filter	PF75
7	Front Mirror 80% R	MR3M80RHC
8	Rear Mirror HR	MR3M100RHC

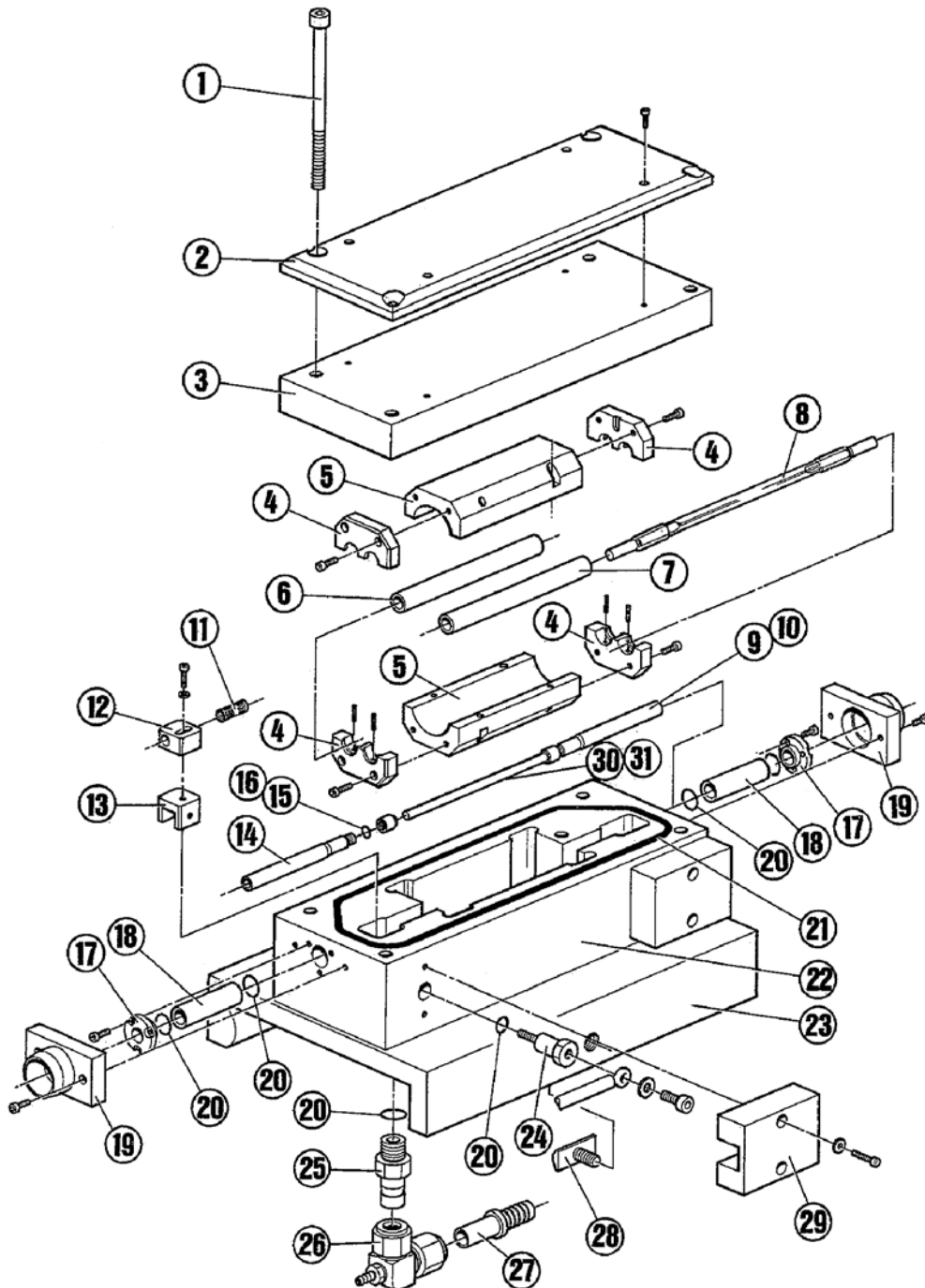
Other consumables upon request.



# LAMP PUMPED LASER HEADS

High performance and reliability

Part No: CHBA333/C, CHBA334/C



# LAMP PUMPED LASER HEADS

High performance and reliability

## Part No: CHBA342

**LASER SYSTEMS:** Lasag KLS246-040FC

**DESCRIPTION:** Single-Lamp Pumped pulsed Solid-State Laser Chamber used for cutting, drilling & welding.

### LASER HEAD COMPONENTS:

REFERENCE	PART NUMBER	DESCRIPTION
1	GCE342U	Gold Cavity Reflector, Upper
2	GCE342L	Gold Cavity Reflector, Lower
3	CEP342R	Cavity End Plate, Right
4	CEP342L	Cavity End Plate, Left
5	LPP342L	Lamp Pressure Plate, Left
6	LPP342R	Lamp Pressure Plate, Right
7	CNLAK30I	Crystal Pressure Nut
8	CPPLAK30I	Crystal Pressure Plate
9	LL1767	Laser Lamp, Krypton
10	WRV978	Water Release Valve
11	LFTKLS246	Lamp Flow Tube
12	YR4768	YAG Rod, 4 mm Dia, Unmounted
13	RFTKLS342	Rod Flow Tube
14	YRH342	YAG Rod Holder, 4 mm Dia
15	ORT4MM	O-Ring, Teflon 4 mm Dia
16	HVT975	High Voltage Terminal
17	IP972	Insulation Plate
18	PLUG973	Plug
19	W974	Washer, Neoprene
20	LP968	Location Pin, Radiused
21	LP969	Location Pin, Flat
22	YRA342	YAG Rod Assembly, 4 mm Dia, Mounted

### ASSEMBLIES:

REFERENCE	PART NUMBER	DESCRIPTION
1	ORKLAK246	O-Ring Kit
2	GCA342	Gold Cavity Assembly
3	HBA342	Head Block Assembly (Less Rod and Lamp)
4	CHBA342	Complete Head Block Assembly

# LAMP PUMPED LASER HEADS

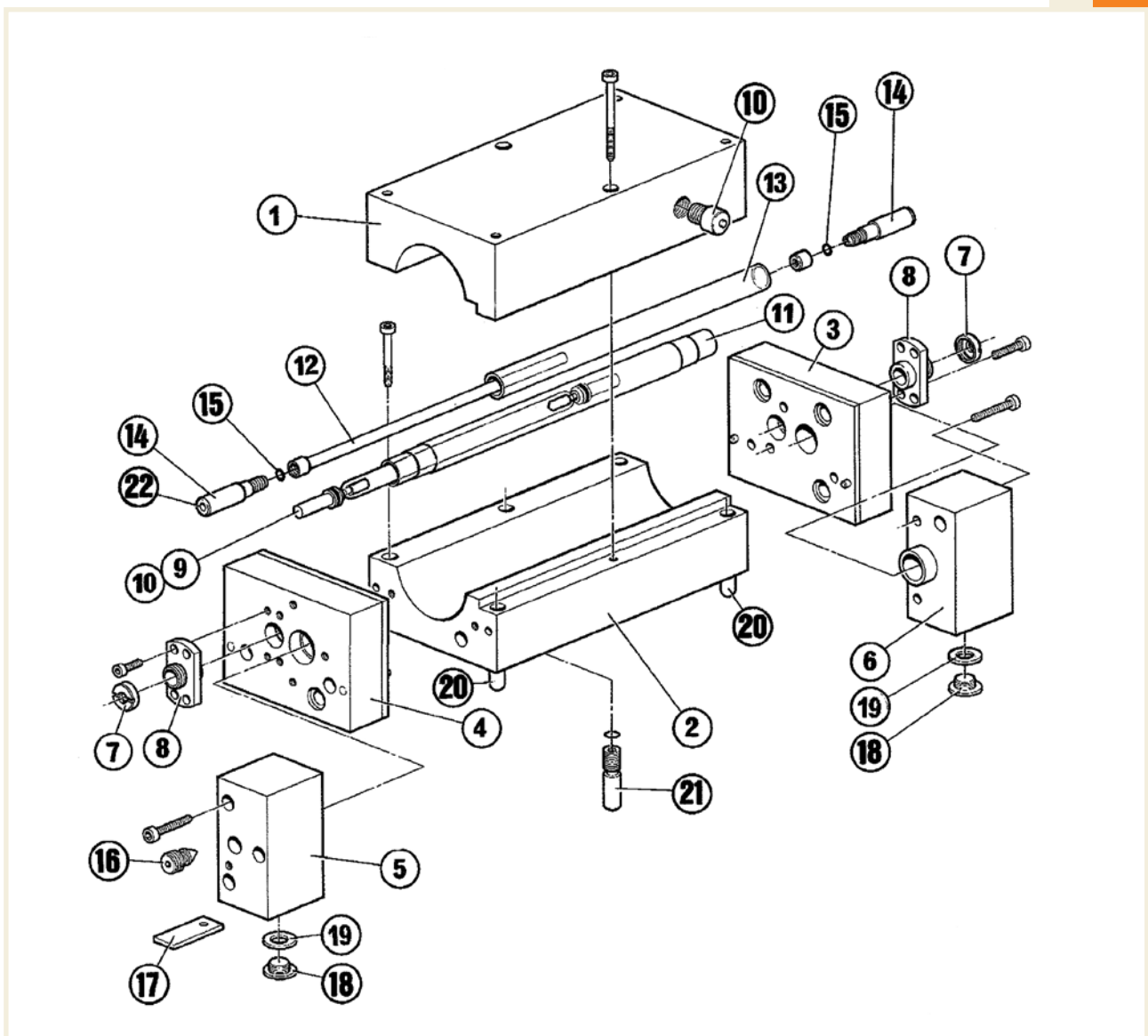
High performance and reliability

## Part No: CHBA342

### FREQUENTLY

REFERENCE	ITEM	PART NUMBER
1	Lamp, Krypton	LL1767, 64-0153
2	Rod Flow Tube	RFTKLS342
3	Lamp Flow Tube	LFTKLS246
4	DI Resin	DIRE SIN100

Other consumables upon request.



# LAMP PUMPED LASER HEADS

High performance and reliability



**Part No: CHBA353/C**

**LASER SYSTEMS:** LASER S.O.S. Compact Series, 25W TEM<sub>00</sub>

**DESCRIPTION:** Single-Lamp Pumped Solid-State Laser Chamber used for precision material processing such as diamond processing, marking, engraving

## ASSEMBLIES:

REFERENCE	PART NUMBER	DESCRIPTION
1	ORK353	O-Ring Kit 3 mm Rod
2	GC350	Gold Cavity Assembly, Complete
3	BA350	Head Block Assembly (Less Cavity, YAG Rod, Lamp & Carriage)
4	HBA353	Head Block Assembly (Less YAG Rod, Lamp & Carriage)
5	CHBA353	Head Block Assembly (Less Carriage), 3 mm Rod
6	CHBA353/C	Complete Head Block Assembly, 3 mm Rod

# Part No: CHBA353/C

## LASER HEAD COMPONENTS:

REFERENCE	PART NUMBER	DESCRIPTION
1	HB300	Head Bolt, Stainless Steel
2	FIN350	Head Sink, Aluminium
3	UHB350	Upper Head Block
4	CEP300	Cavity End Plate
5	GCE350	Cavity Ellipse, Gold Plated
6	RFT350	Flow Tube, Rod
7	FT450	Flow Tube, Lamp
8	LL9300	Laser Lamp, 30 A
10	YRH333	YAG Rod Holder, 3 mm Rod
11	LC708	Lamp Contact Band, Gold Plated
12	LCB300	Lamp Contact Block
13	LTB300	Lamp Terminal Block
14	YRA453	YAG Rod Assembly, 3 × 108 mm Rod, TEM <sub>00</sub>
15	ORT3MM	O-Ring, Teflon, 3 mm Rod
16	REC300	Rod End Cap
17	RG300	Rod Guide
18	DB300	Dust Boot
19	ORK353	O-Ring, Silicone (Included in Kit)
20	ORK353	O-Ring, Silicone (Included in Kit)
21	LHB350	Lower Head Block
22	LHC350	Lower Head Carriage
23	HVP570	High Voltage Pin
24	WF012	Water Fittings 3/4" – 1/2" × 1/2"
25	WF021/2	Elbow Water Fitting, 1/2" for Q-Switch
26	WF041	Water Fitting, S/S
27	CLA500	Carriage Locking Assembly
28	HVC800	High Voltage Cap
29	YRI173B	YAG Rod, 3 × 108 mm, TEM <sub>00</sub> , Unmounted

## FREQUENTLY USED CONSUMABLES:

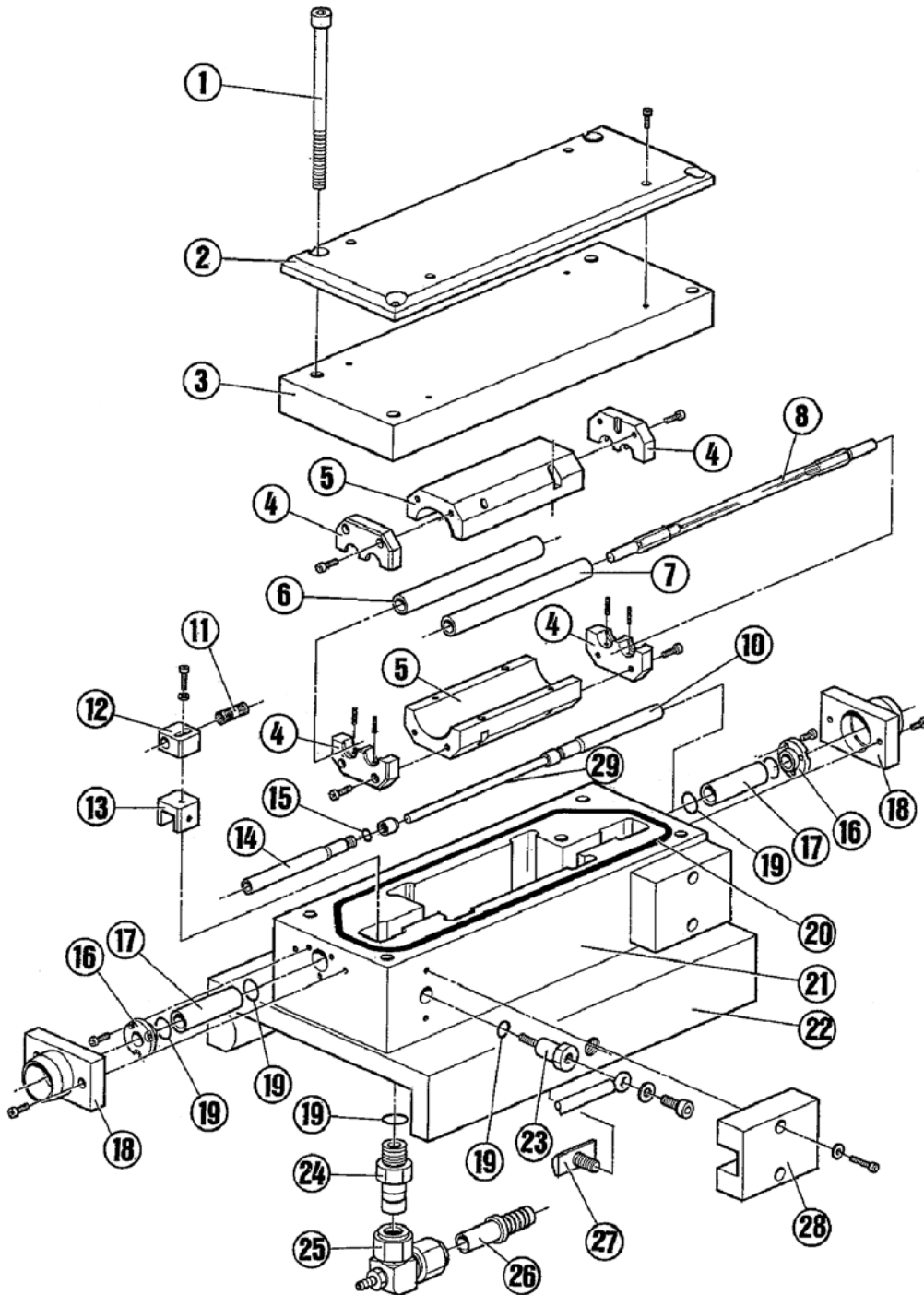
REFERENCE	ITEM	PART NUMBER
1	Lamp, 30 Amp	LL5028
2	Lamp Flow Tube	FT450
3	Rod Flow Tube	FT350
4	O-Ring Kit	ORK353
5	DI Cartridge	D150
6	Particle Filter	PF75
7	Front Mirror	MR3M80RHC
8	Rear Mirror HR	MR3M100R1MCXHC
9	Rear Mirror HR	MR3M100RHC

Other consumables upon request.

# LAMP PUMPED LASER HEADS

High performance and reliability

Part No: CHBA353/C



# LAMP PUMPED LASER HEADS

High performance and reliability



## Part No: CHBA354/C

**LASER SYSTEMS:** LASER S.O.S. SOSI20WQSS380, 120–135 Watt

**DESCRIPTION:** Single-Lamp Pumped Solid-State Laser Chamber used for precision marking & engraving applications.

### ASSEMBLIES:

REFERENCE	PART NUMBER	DESCRIPTION
1	ORK350	O-Ring Kit 4 mm Rod
2	GC350	Gold Cavity Assembly, Complete
3	BA350	Head Block Assembly (Less Cavity, YAG Rod, Lamp & Carriage)
4	HBA350	Head Block Assembly (Less YAG Rod, Lamp & Carriage)
5	CHBA354	Head Block Assembly (Less Carriage), 4 mm Rod Average Power = 120 W
6	CHBA354/C	Complete Head Block Assembly, 4 mm Rod Average Power = 120 W

## Part No: CHBA354/C

### LASER HEAD COMPONENTS:

REFERENCE	PART NUMBER	DESCRIPTION
1	HB300	Head Bolt, Stainless Steel
2	FIN350	Head Sink, Aluminium
3	UHB350	Upper Head Block
4	CEP300	Cavity End Plate
5	GCE350	Cavity Ellipse, Gold Plated
6	FT450	Flow Tube, Rod
7	FT450	Flow Tube, Lamp
8	LL9300	Laser Lamp, 30 A
10	YRH334	YAG Rod Holder, 4 mm Rod
11	LC708	Lamp Contact Band, Gold Plated
12	LCB300	Lamp Contact Block
13	LTB300	Lamp Terminal Block
14	YRA350MM	YAG Rod Assembly, 4 × 108 mm Rod, Multi Mode
15	ORT468	O-Ring, Teflon, 4 mm Rod
16	REC300	Rod End Cap
17	RG300	Rod Guide
18	DB300	Dust Boot
19	ORK354	O-Ring, Silicone (Included in Kit)
20	ORK354	O-Ring, Silicone (Included in Kit)
21	LHB350	Lower Head Block
22	LHC350	Lower Head Carriage
23	HVP570	High Voltage pin
24	WF012	Water Fittings "–16 × "
25	WF021/2	Elbow Water Fitting, " for Q-Switch
26	HOSETAIL1/2	Hosetail " Barbed
27	CLA500	Carriage Locking Assembly
28	HVC800	High Voltage Cap
29	YR715	YAG Rod, 4 × 108 mm, Multi Mode, Unmounted

### FREQUENTLY USED CONSUMABLES:

REFERENCE	ITEM	PART NUMBER
1	Lamp, 30Amp	LL9300
2	Lamp Flow Tube	FT450
3	Rod Flow Tube	FT450
4	O-Ring Kit	ORK350
5	DI Cartridge	D150
6	Particle Filter	PF75
7	Front Mirror	MR3M80RHC
8	Rear Mirror HR	MR3M100RHC

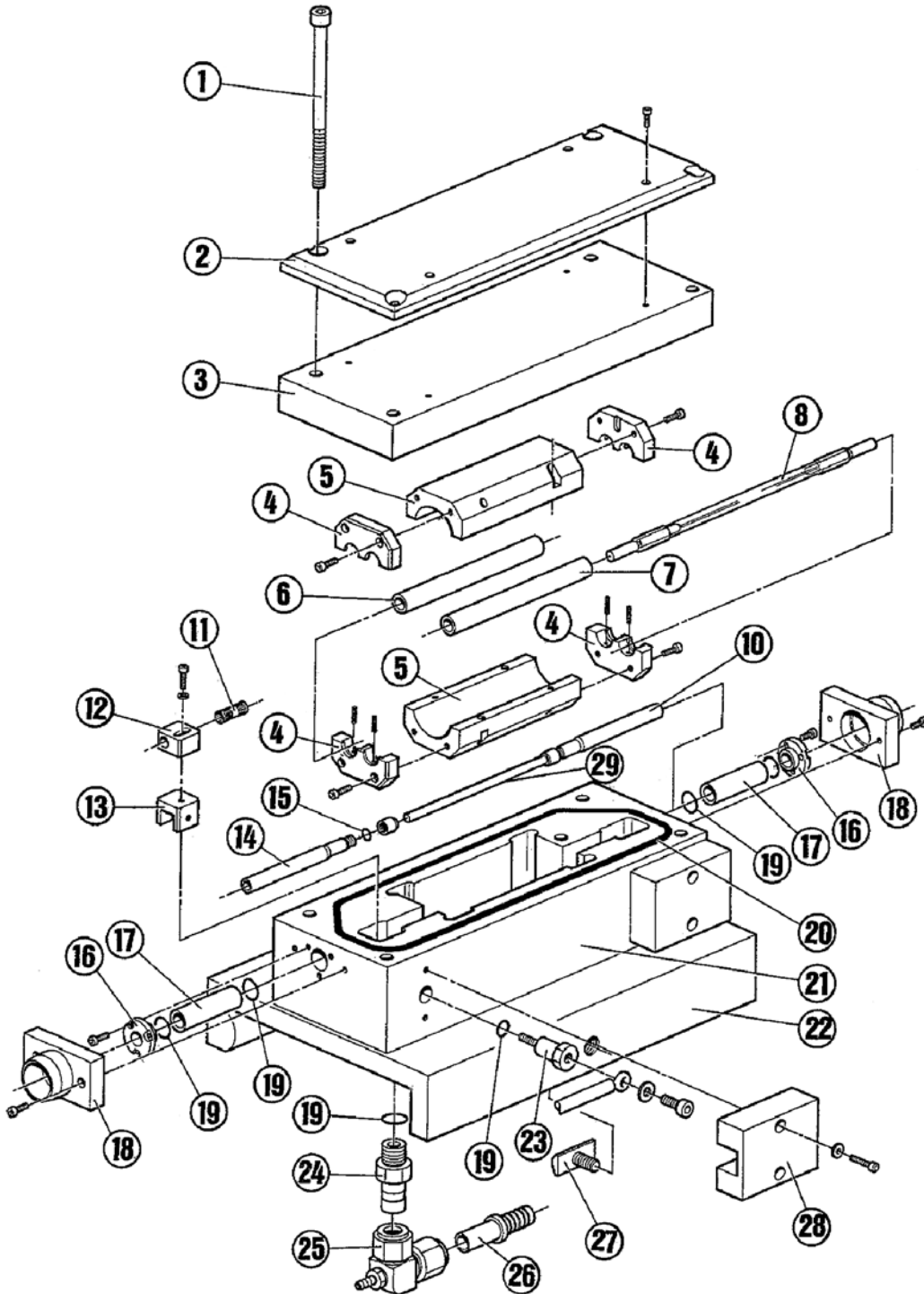
Other consumables upon request.



# LAMP PUMPED LASER HEADS

High performance and reliability

Part No: CHBA354/C



# LAMP PUMPED LASER HEADS

High performance and reliability



**Part No: CHBA364/C**

**LASER SYSTEMS:** LASER S.O.S. SOSI50WQSS380, 150–160 Watt

**DESCRIPTION:** Single-Lamp Pumped Solid-State Laser Chamber used for cutting, marking & deep engraving applications.

## ASSEMBLIES:

REFERENCE	PART NUMBER	DESCRIPTION
1	ORK350	O-Ring Kit 4 mm Rod
2	GC350	Gold Cavity Assembly, Complete
3	BA350	Head Block Assembly (Less Cavity, YAG Rod, Lamp & Carriage)
4	HBA353	Head Block Assembly (Less YAG Rod, Lamp & Carriage)
5	CHBA364	Head Block Assembly (Less Carriage), 4 mm Rod Average Power = 150 W
6	CHBA364/C	Complete Head Block Assembly, 4 mm Rod Average Power = 150 W

# Part No: CHBA364/C

## LASER HEAD COMPONENTS:

REFERENCE	PART NUMBER	DESCRIPTION
1	HB300	Head Bolt, Stainless Steel
2	FIN350	Head Sink, Aluminium
3	UHB350	Upper Head Block
4	CEP300	Cavity End Plate
5	GCE350	Cavity Ellipse, Gold Plated
6	RFT350	Flow Tube, Rod
7	FT450	Flow Tube, Lamp
8	LL9300	Laser Lamp, 30A
10	YRH334	YAG Rod Holder, 4 mm Rod
11	LC708	Lamp Contact Band, Gold Plated
12	LCB300	Lamp Contact Block
13	LTB300	Lamp Terminal Block
14	YRA350MM	YAG Rod Assembly, 4 × 108 mm Rod, Multi Mode
15	ORT468	O-Ring, Teflon, 4 mm Rod
16	REC300	Rod End Cap
17	RG300	Rod Guide
18	DB300	Dust Boot
19	ORK354	O-Ring, Silicone (Included in Kit)
20	ORK354	O-Ring, Silicone (Included in Kit)
21	LHB350	Lower Head Block
22	LHC350	Lower Head Carriage
23	HVP570	High Voltage pin
24	WF012	Water Fittings "– 16x"
25	WF021/2	Elbow Water Fitting, " for Q-Switch
26	HOSETAIL1/2	Hosetail " Barbed
27	CLA500	Carriage Locking Assembly
28	HVC800	High Voltage Cap
29	YR715	YAG Rod, 4 × 108 mm, Multi Mode, Unmounted

## FREQUENTLY USED CONSUMABLES:

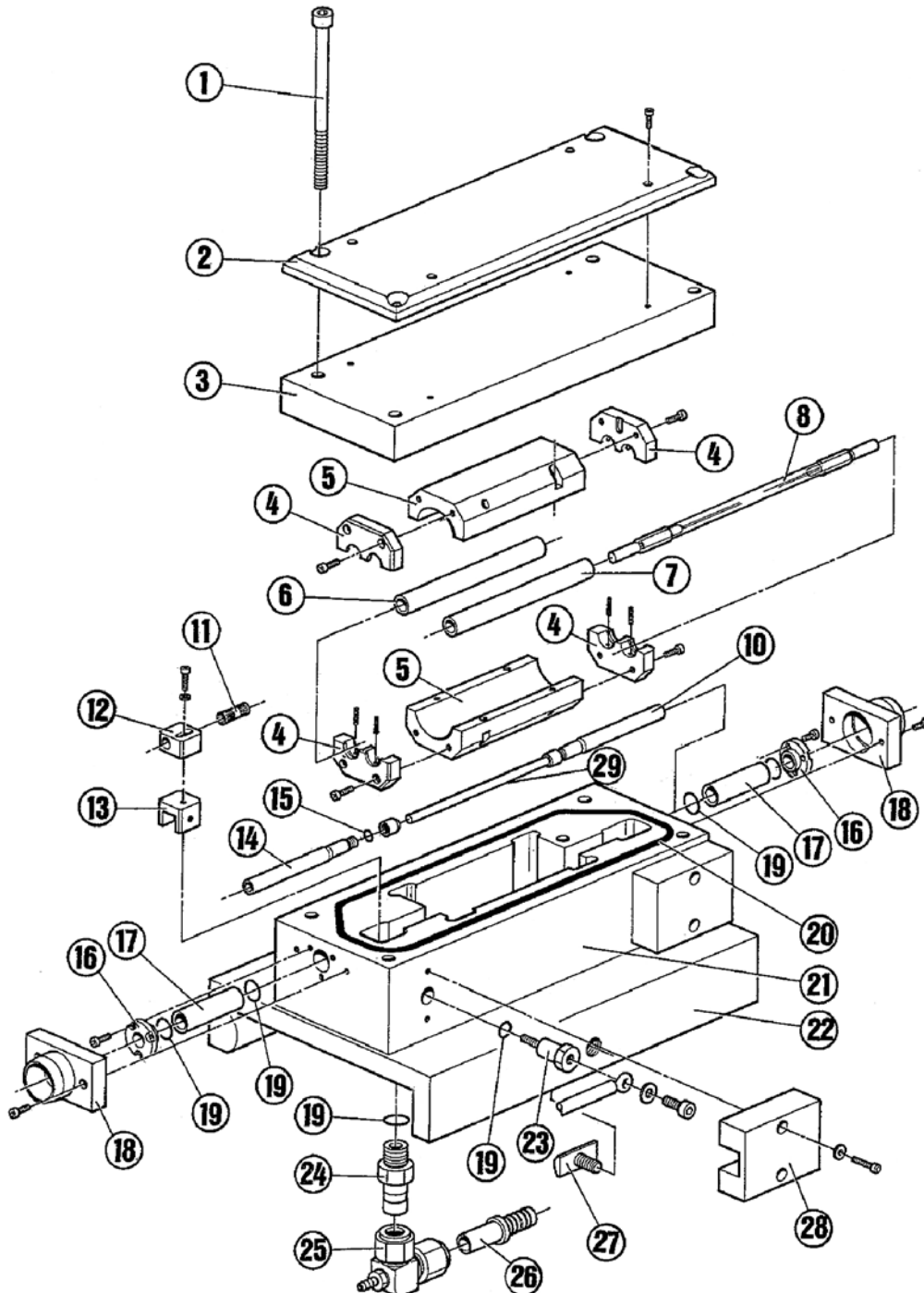
REFERENCE	ITEM	PART NUMBER
1	Lamp, 30Amp	LL9300
2	Lamp Flow Tube	FT450
3	Rod Flow Tube	RFT350
4	O-Ring Kit	ORK350
5	DI Cartridge	D150
6	Particle Filter	PF75
7	Front Mirror 85%	MR3M85RHC
8	Rear Mirror HR	MR3M100RHC

Other consumables upon request.

# LAMP PUMPED LASER HEADS

High performance and reliability

Part No: CHBA364/C



Intelligent Solutions, Manufacturing & Development

# LAMP PUMPED LASER HEADS

High performance and reliability



## Part No: CHBA374/C

**LASER SYSTEMS:** LASER S.O.S., Compact Series, 30 W TEM<sub>00</sub>

**DESCRIPTION:** Single-Lamp Pumped Solid-State Laser Chamber used for precision marking & deep engraving applications.

### ASSEMBLIES:

REFERENCE	PART NUMBER	DESCRIPTION
1	ORK350	O-Ring Kit 4 mm Rod
2	GC350	Gold Cavity Assembly, Complete
3	BA350	Head Block Assembly (Less Cavity, YAG Rod, Lamp & Carriage)
4	HBA353	Head Block Assembly (Less YAG Rod, Lamp & Carriage)
5	CHBA374	Head Block Assembly (Less Carriage), 4 mm
6	CHBA374/C	Complete Head Block Assembly, 4 mm

## Part No: CHBA374/C

### LASER HEAD COMPONENTS:

REFERENCE	PART NUMBER	DESCRIPTION
1	HB300	Head Bolt, Stainless Steel
2	FIN350	Head Sink, Aluminium
3	UHB350	Upper Head Block
4	CEP300	Cavity End Plate
5	GCE350	Cavity Ellipse, Gold Plated
6	RFT350	Flow Tube, Rod
7	FT450	Flow Tube, Lamp
8	LL9300	Laser Lamp, 30A
10	YRH334	YAG Rod Holder, 4 mm Rod
11	LC708	Lamp Contact Band, Gold Plated
12	LCB300	Lamp Contact Block
13	LTB300	Lamp Terminal Block
14	YRA425	YAG Rod Assembly, 4 × 108 mm Rod, TEM <sub>00</sub> , Mounted
15	ORT468	O-Ring, Teflon, 4 mm Rod
16	REC300	Rod End Cap
17	RG300	Rod Guide
18	DB300	Dust Boot
19	ORK354	O-Ring, Silicone (Included in Kit)
20	ORK354	O-Ring, Silicone (Included in Kit)
21	LHB350	Lower Head Block
22	LHC350	Lower Head Carriage
23	HVP570	High Voltage pin
24	WF012	Water Fittings " -16 × "
25	WF021/2	Elbow Water Fitting, " for Q-Switch
26	HOSETAIL1/2	Hosetail " Barbed
27	CLA500	Carriage Locking Assembly
28	HVC800	High Voltage Cap
29	YR425	YAG Rod, 4 × 108 mm, TEM <sub>00</sub> , Un-mounted

### FREQUENTLY USED CONSUMABLES:

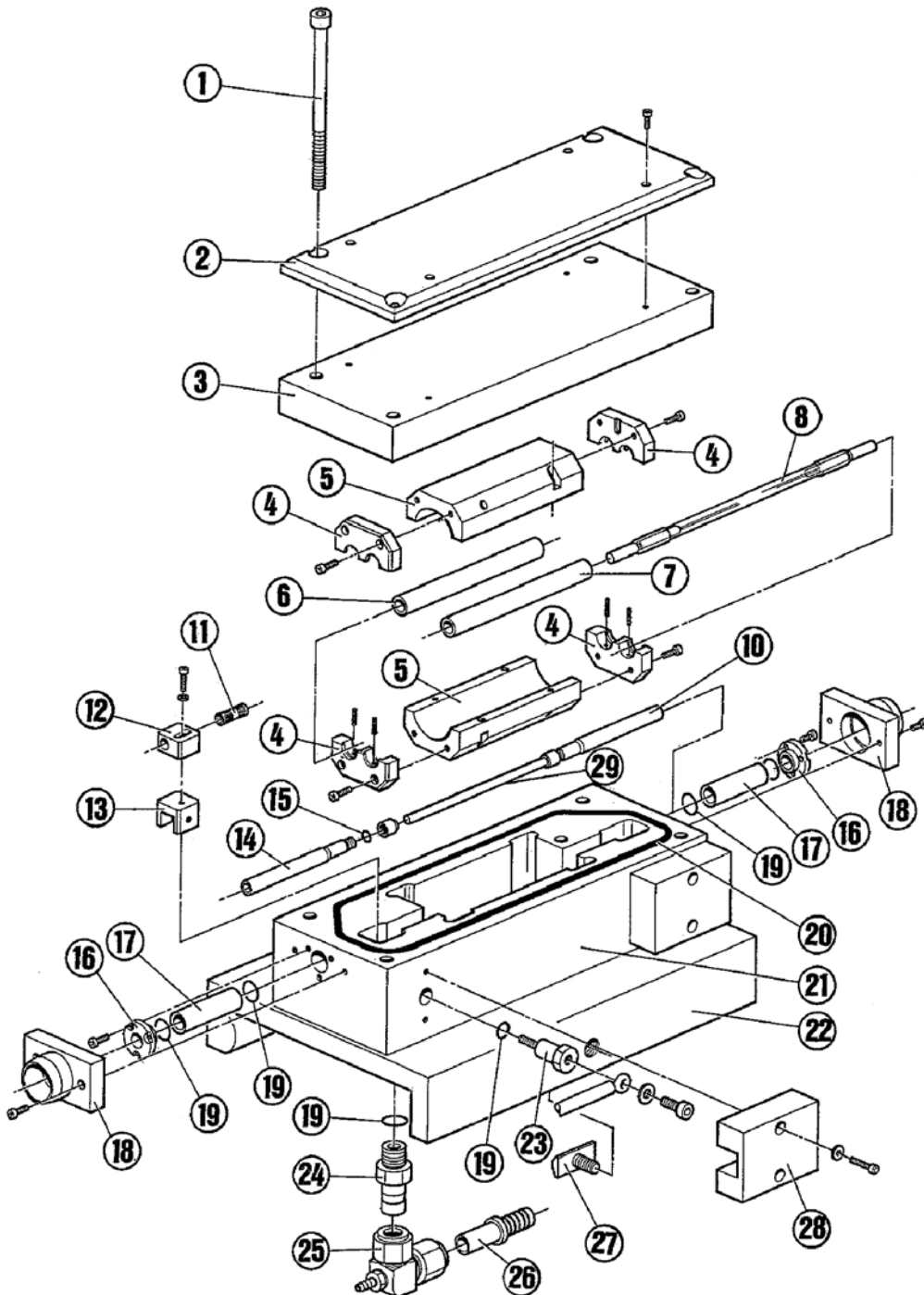
REFERENCE	ITEM	PART NUMBER
1	Lamp, 30Amp	LL9300
2	Lamp Flow Tube	FT450
3	Rod Flow Tube	RFT350
4	O-Ring Kit	ORK350
5	DI Cartridge	D150
6	Particle Filter	PF75
7	Front Mirror 85%	MR3M85RHC
8	Rear Mirror HR	MR3M100RHC

Other consumables upon request.

# LAMP PUMPED LASER HEADS

High performance and reliability

## Part No: CHBA374/C



# LAMP PUMPED LASER HEADS

High performance and reliability



**Part No: CHBA400/C**

**LASER SYSTEMS:** Control Laser 400, 428, 438, 440-4, 440-8, 480-16, Huffman, XMR, HDE& ACME Cleveland Systems, Laser Applications 94100

**DESCRIPTION:** Dual-Lamp Pumped Solid-State pulsed Laser Chamber used for welding, cutting and drilling applications.

**ASSEMBLIES:**

REFERENCE	PART NUMBER	DESCRIPTION
1	ORK400	O-Ring Kit
2	GC400	Gold Cavity Assembly, Complete
3	BA400	Head Block Assembly (Less Cavity, YAG Rod, Lamp & Carriage)
4	HBA400	Head Block Assembly (Less YAG Rod, Lamp & Carriage)
5	CHBA400	Head Block Assembly, Complete (Less Carriage)



# Part No: CHBA400/C

## LASER HEAD COMPONENTS:

REFERENCE	PART NUMBER	DESCRIPTION
1	UHB400	Upper Head Block
2	CHB400	Centre Head Block
3	LHB400	Lower Head Block
4	CLA500	Carriage Locking Assembly
6A	LL400S	Krypton Flashlamp, 4.0" Arc Length
6B	LL400L	Krypton Flashlamp, 4.625" Arc Length
7	LC708	Lamp Connector Band, Gold
8	HB400	Head Bolt, Stainless Steel
9	TC400	Trigger Contact
10	ORK400	O-Ring (Included in Kit)
11	LHE400	Lamp Holder Extension
12	LH400	Lamp Holder
13	GCE400L	Cavity Ellipse Lower, Gold Plated
14	GCE400T	Cavity Ellipse Top, Gold Plated
15	TI400	Trigger Insulator
16	CEP400T	Cavity End Plate, Gold Plated
17	LHC400	Lower Head Carriage
18	FGFP400	Filter Glass Flow Plate
19	BE400	Bushing End
20	RG400	Rod Guide
21	CEP400L	Cavity,End Plate Lower, Gold Plated
22	MCB400	Mounting Bracket Cable
23	LP400	Locking Plate
24	BPP400	Bushing Pressure Plate
25	IK400	Insulator Knob
26	YR400	YAG Rod, 3/8" Dia, Unmounted
27	YRH400	YAG Rod Holder and Cap
28	YRA400	YAG Rod Assembly, Mounted

## FREQUENTLY USED CONSUMABLES:

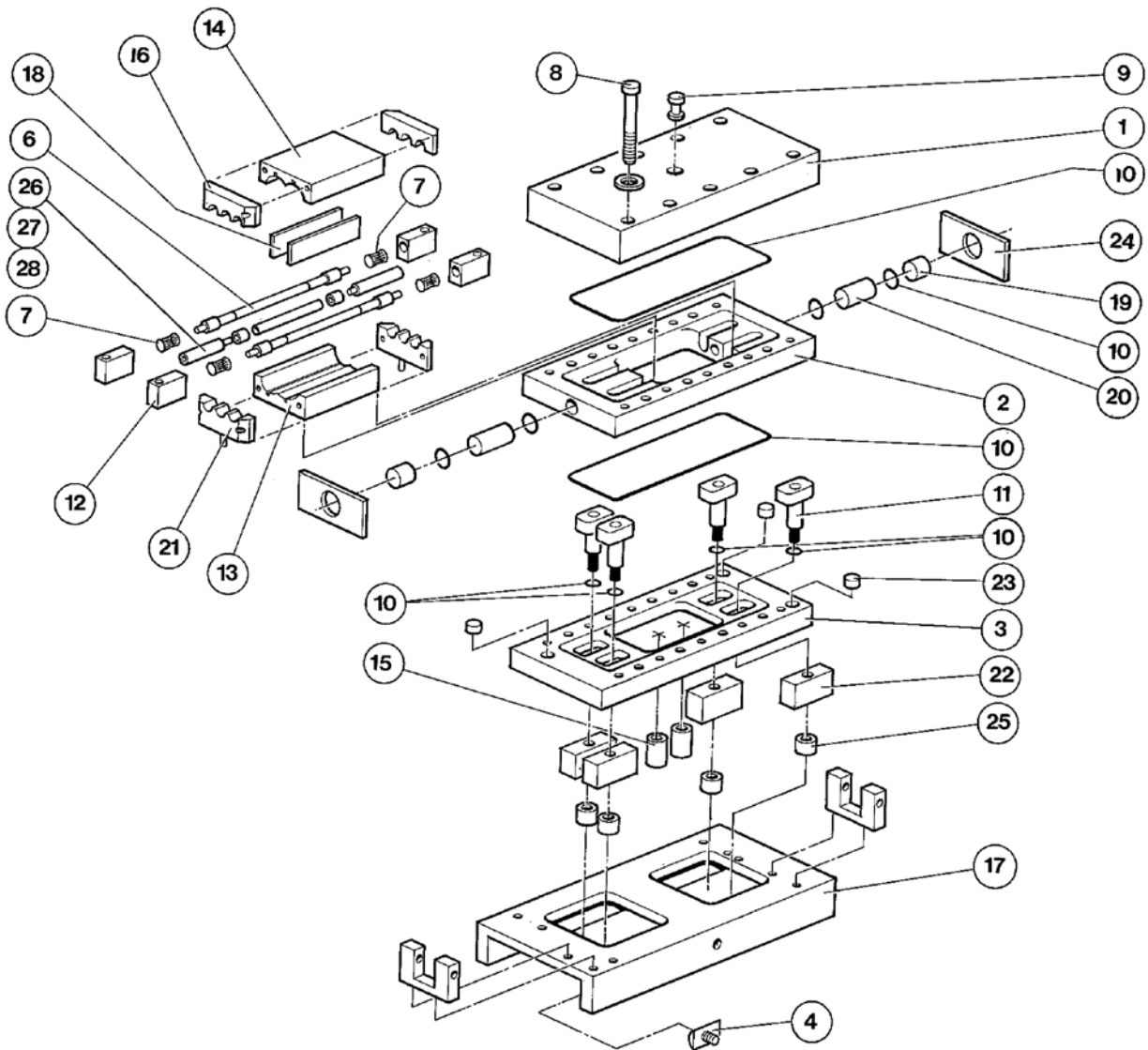
REFERENCE	ITEM	PART NUMBER
1	Lamp, 4" Arc Length	LL400S
2	Lamp, 4.625" Arc Length	LL400L
3	Flow Plate, Filter Glass	FGFP400
4	Lamp Connector Band, Gold	LC708
5	Front Mirror, 35% R	MR3M35RHC
6	Rear Mirror Mirror HR	MR3MI00RHC
7	DI Cartridge	D8822

Other consumables upon request.

# LAMP PUMPED LASER HEADS

High performance and reliability

## Part No: CHBA400/C



# LAMP PUMPED LASER HEADS

High performance and reliability



## Part No: CHBA510/C

**LASER SYSTEMS:** Holobeam 255, Control 510, 511, ESI 25, 44, Teradyne W311, Chicago Laser CLS510, Laser Applications, Quantrad, JEC, 30W Multimode, 7W TEM<sub>00</sub>

**DESCRIPTION:** Single-Lamp Pumped Solid-State Laser Chamber used for laser trimming & marking applications

### ASSEMBLIES:

REFERENCE	PART NUMBER	DESCRIPTION
1	ORK510	O-Ring Kit
2	GC510	Gold Cavity Assembly, Complete
3	BA510	Head Block Assembly (Less Cavity, YAG Rod, Lamp & Carriage)
4	HBA510	Head Block Assembly (Less YAG Rod, Lamp & Carriage)
5	CHBA510	Head Block Assembly, Complete (Less Carriage)
6	CHBA510/C	Complete Head Block Assembly

## LASER HEAD COMPONENTS:

REFERENCE	PART NUMBER	DESCRIPTION
1	HBW510	Head Bolt Washer, Nylon
2	HB510	Head Bolt, Stainless Steel
3	FIN510	Heat Sink, Aluminium
4	UHB510	Upper Head Block
5	LFT510	Lamp and Rod Flow Tube
6	CLA500	Carriage Locking Assembly
7	LC510	Lamp Clip, Gold Plated
8	LTB510	Lamp Terminal Block
9	ORK510	O-Ring, Silicone (Included in Kit)
10	LHB510	Lower Head Block
11	LHC510	Head Carriage
12	WF016	Water Fitting, Head Block & Q-Switch
13	ORK510	O-Ring (Included in Kit)
14	WF013	Water Fitting, 3/4 – 16 × 5/8", Stainless Steel
15	YR510	YAG Rod, 4 mm Dia, Unmounted
16	SNY632	Nylon Screw, 6-32 × 1/41,
17	HVP510	High Voltage Pin
18	HVI510	High Voltage Insulator (2 pces)
19	ORK510	O-Ring, Silicone (included in Kit)
21	RG510	Rod Guide
22	REC510	Rod End Cap
23	ORK510	O-Ring, Silicone (Included in Kit)
24	DB510	Dust Boot
25	YRA510	YAG Rod Assembly, Mounted
26	LSP510	Lower Light Shield, Stainless Steel
27	LL510S	Krypton Arc Lamp, 20 Amps
28	USP510	Upper Light Shield, Stainless
29	CEP510	Cavity End Plate, Gold Plated
30	GCE510	Cavity Ellipse, Gold Plated

## FREQUENTLY USED CONSUMABLES:

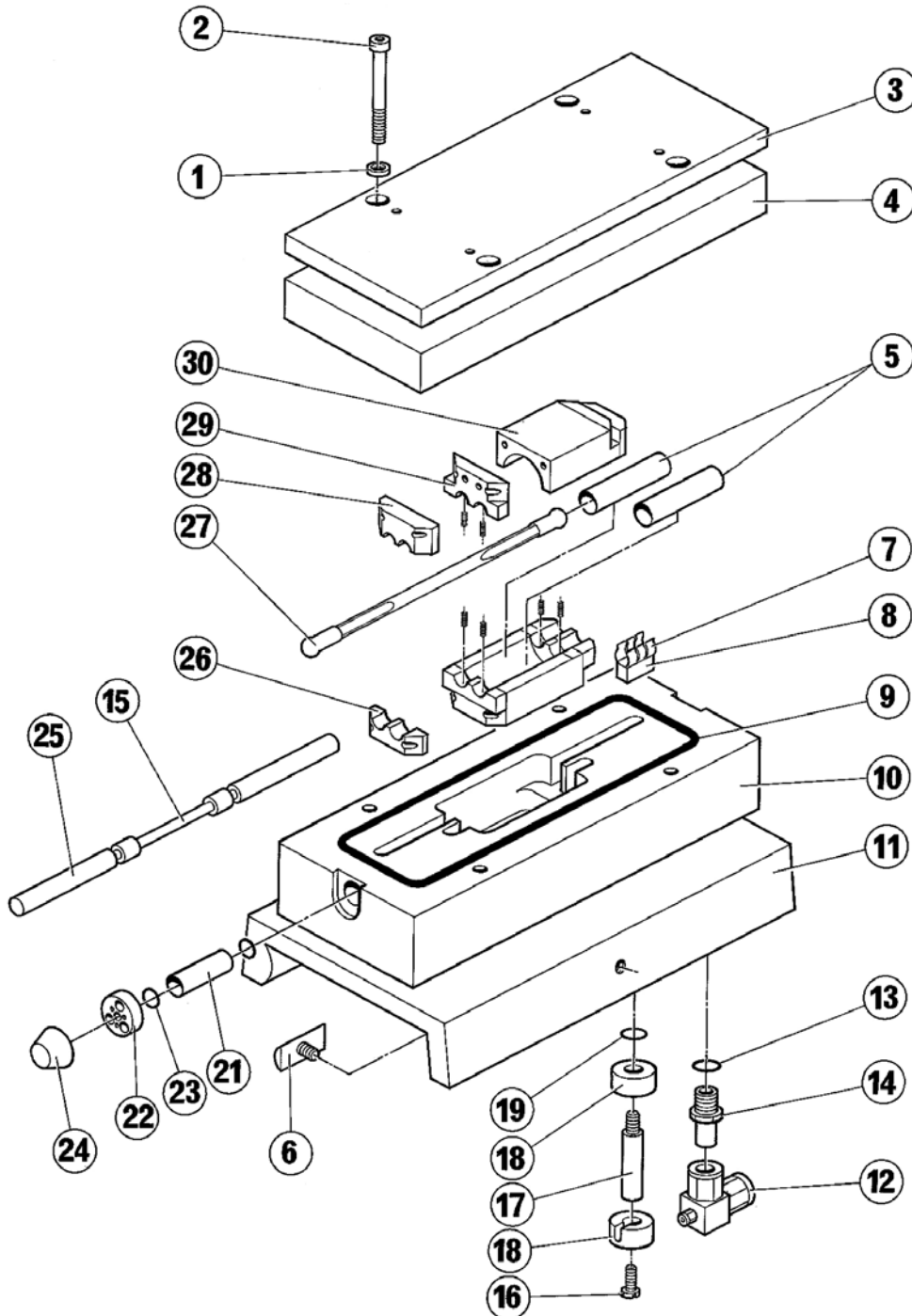
REFERENCE	ITEM	PART NUMBER
1	Lamp, 20 Amp	LL510S
2	Lamp & Rod Flow Tube	LFT510
3	Front Mirror 90% R	MR3M90RHC
4	Rear Mirror HR	MR3M100RHC
5	D.I. Cartridge	D8822
6	Particle Filter	PF10
7	Lamp Clip, Gold	LC510

Other consumables upon request.

# LAMP PUMPED LASER HEADS

High performance and reliability

## Part No: CHBA510/C



# LAMP PUMPED LASER HEADS

High performance and reliability



**Part No: CHBA512/C, CHBA479/C**

**LASER SYSTEMS:** Control Laser 512, 513, H-514, Instamark, Script, ESI 44, Teradyne W11, Chicago Laser CLS37, Laser Applications, Quantrad, Siemens Silamatic, JEC, 60W Multimode, 11W TEM00

**DESCRIPTION:** Single-Lamp Pumped Solid-State Laser Chamber used for laser trimming & marking applications

## ASSEMBLIES:

REFERENCE	PART NUMBER	DESCRIPTION
1	ORK512	O-Ring Kit
2	GC512	Gold Cavity Assembly, Complete
3	BA512	Head Block Assembly (Less Cavity, YAG Rod, Lamp & Carriage)
4	HBA512	Head Block Assembly (Less YAG Rod, Lamp & Carriage)
5	CHBA512	Head Block Assembly, Complete (Less Carriage)
6	CHBA512/C	Complete Head Block Assembly, TEM00
7	CHBA479	Head Block Assembly, Complete (Less Carriage), Multimode
8	CHBA479/C	Complete Head Block Assembly, Multimode

## Part No: CHBA512/C, CHBA479/C

### LASER HEAD COMPONENTS:

REFERENCE	PART NUMBER	DESCRIPTION
1	HBW510	Head Bolt Washer, Nylon
2	HB510	Head Bolt, Stainless Steel
3	FIN512	Heat Sink, Aluminium
4	UHB512	Upper Head Block
5	LFT512	Lamp and Rod Flow Tube
6	CLA500	Carriage Locking Assembly
7	LC510	Lamp Clip, Gold Plated
8	LTB510	Lamp Terminal Block
9	ORK512	O-Ring, Silicone (Included in Kit)
10	LHB512	Lower Head Block
11	LHC512	Head Carriage
12	WF016	Water Fitting, Head Block & Q-Switch
13	ORK512	O-Ring, Silicone (Included in Kit)
14	WF013	Water Fitting, 3/4 – 16 × 5/8” Stainless Steel
15	YR512	YAG Rod, 4 mm Dia, Unmounted, TEM <sub>00</sub>
16	SNY632	Nylon Screw, 6–32 × 1/4”
17	HVP510	High Voltage Pin
18	HVI510	High Voltage Insulator (2 pces)
19	ORK512	O-Ring, Silicone (Included in Kit)
20	RFT512C	Rod Flow Tube, Doped
21	RG510	Rod Guide
22	REC510	Rod End Cap
23	ORK512	O-Ring, Silicone (Included in Kit)
24	DB510	Dust Boot
25	YRA512	YAG Rod Assembly, Mounted, TEM <sub>00</sub>
26	LSP510	Lower Light Shield, Stainless
27	LL512AS	Krypton Arc Lamp (20 Amps 145–155 V)
28	USP510	Upper Light Shield, Stainless
29	CEP510	Cavity End Plate, Gold Plated
30	GCE512	Cavity Ellipse, Gold Plated
31	YR479	YAG Rod, 4 mm Dia, Unmounted, Multimode
32	YRA479	YAG Rod Assembly, Mounted, Multimode
33	LL512BS	Krypton Arc Lamp (20 Amps 155–165 V)

### FREQUENTLY USED CONSUMABLES:

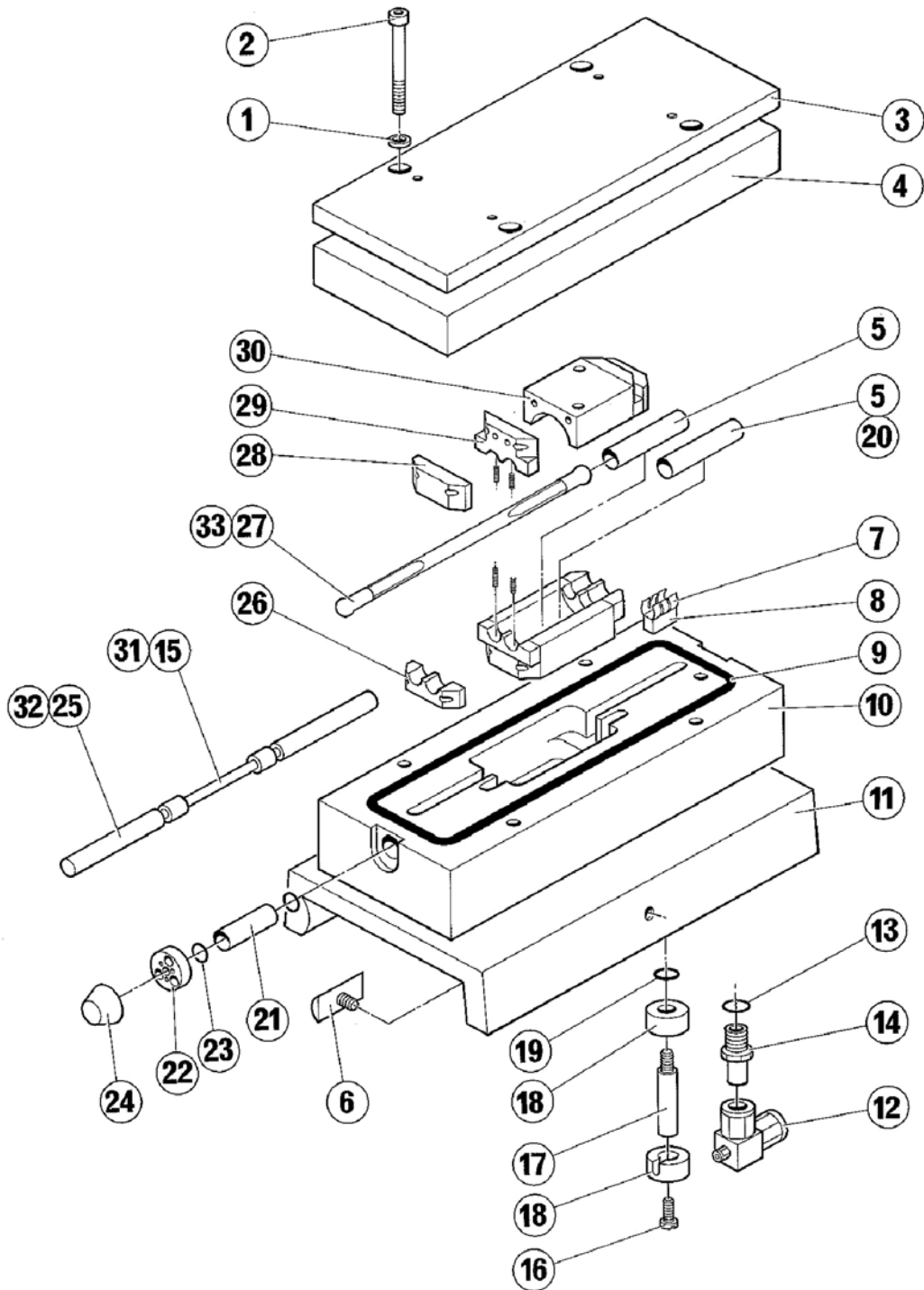
REFERENCE	ITEM	PART NUMBER
1	Lamp, 20Amp	LL512AS
2	Lamp & Rod Flow Tube	LFT512
3	Front Mirror 80% R	MR3M80RHC
4	Front Mirror 90% R	MR3M90RHC
5	Rear Mirror HR	MR3M100RHC
6	DI Cartridge	D8822
7	Particle Filter	PF10
8	Lamp Clip, Gold	LC510

Other consumables upon request.

# LAMP PUMPED LASER HEADS

High performance and reliability

## Part No: CHBA512/C, CHBA479/C



Intelligent Solutions, Manufacturing & Development



# LAMP PUMPED LASER HEADS

High performance and reliability



## Part No: CHBA530/C

**LASER SYSTEMS:** Holobeam 2660, Control Laser 531, 532, 534, 536, 630, 120-150W Multimode

**DESCRIPTION:** Single-Lamp Pumped Solid-State Laser Chamber used for cutting & marking applications

### ASSEMBLIES:

REFERENCE	PART NUMBER	DESCRIPTION
1	ORK530	O-Ring Kit
2	GC530	Gold Cavity Assembly, Complete
3	BA530	Head Block Assembly (Less Cavity, YAG Rod, Lamp & Carriage)
4	HBA530	Head Block Assembly (Less YAG Rod, Lamp & Carriage)
5	CHBA530	Head Block Assembly, Complete (Less Carriage)
6	CHBA530/C	Complete Head Block Assembly

## Part No: CHBA530/C

### LASER HEAD COMPONENTS:

REFERENCE	PART NUMBER	DESCRIPTION
1	HB510	Head Bolt, Stainless Steel
2	HBW510	Head Bolt Washer, Nylon
3	GCE530	Cavity Ellipse, Gold Plated
4	RFT530	Rod Flow Tube
5	LFT530	Lamp Flow Tube
6	ORK530	O-Ring, Silicone (Included in Kit)
7	LL532S	Krypton Arc Lamp, 40 Amps 140–145 V
8	CEP530L	Cavity End Plate, Left, Gold Plated
9	TLS530R	Teflon Light Shield, Right
10	TLS530L	Teflon Light Shield, Left
11	CLA500	Carriage Locking Assembly
12	ORK530	O-Ring, Silicone (Included in Kit)
13	YR530	YAG Rod, Crystal Only, 6.35 mm Rod
14	YRA530	YAG Rod Assembly, Mounted
15	RG530	Rod Guide
17	REC530	Rod End Cap Extention
18	DB530	Dust Boot
19	WF021	Water Fitting, 1/2" Water Pump & Q-Switch
20	WF012	Water Fitting 3/4– 16 × 1/2" Stainless Steel
21	LHB530	Lower Head Block
22	HVP258	High Voltage Pin
23	LTB258	Lamp Terminal Block
24	LC258	Lamp Clip, Gold Plated
25	CEP530R	Cavity End Plate, Right
26	UHB530	Upper Head Block
27	FIN530	Heat Sink, Aluminium
28	ORK530	O-Ring, Silicone (Included in Kit)
29	CC530	Cable Cap
30	LHC530	Head Carriage
31	ORK530	O-Ring, Teflon (Included in Kit)
32	ORK530	O-Ring, Silicone (Included in Kit)
33	ORK530	O-Ring, Silicone (Included in Kit)
34	ORK530	O-Ring, Teflon (Included in Kit)
35	ORK530	O-Ring, Silicone (Included in Kit)
36	ORK530	O-Ring, Silicone (Included in Kit)

### FREQUENTLY USED CONSUMABLES:

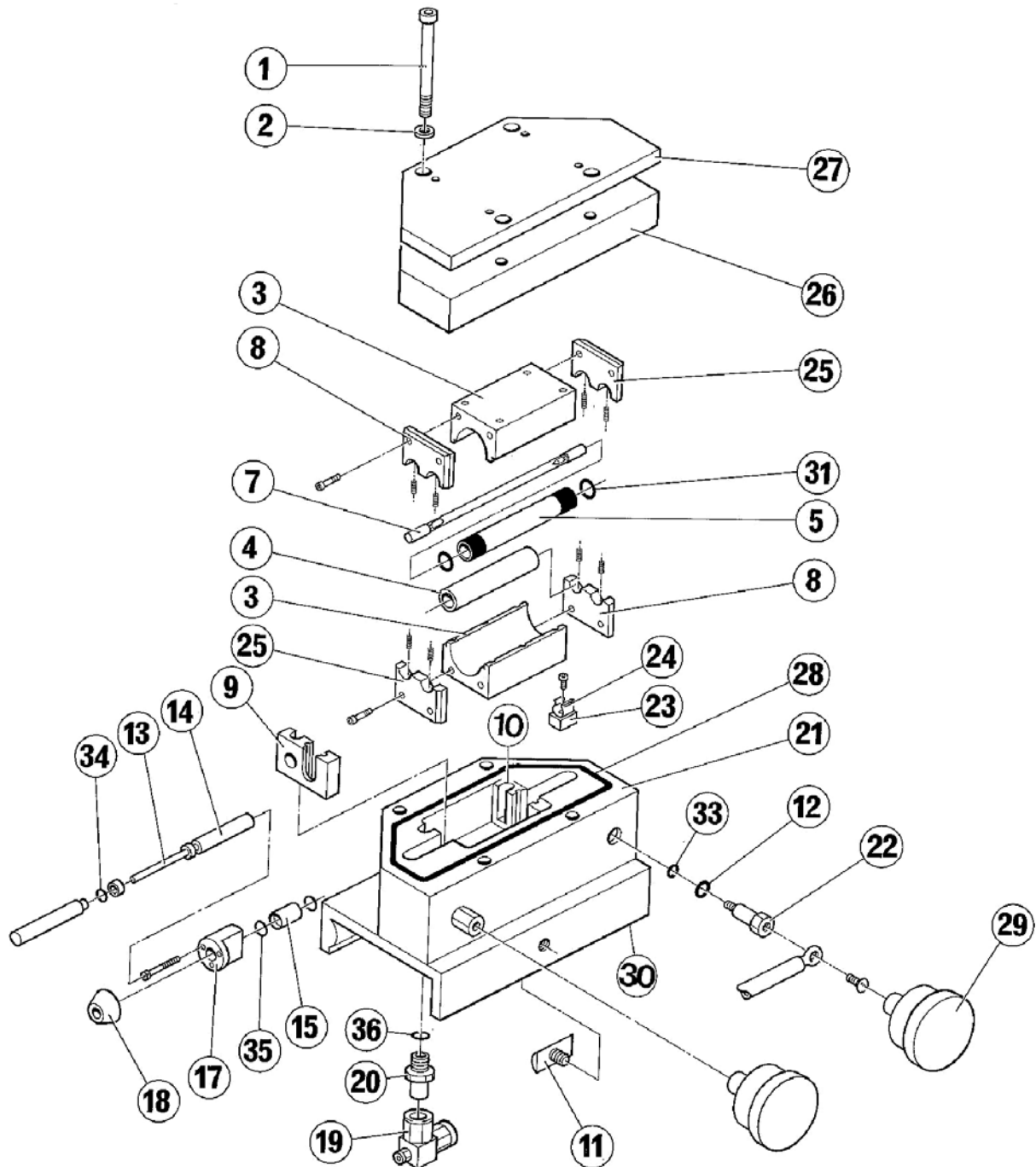
Reference	Item	Part Number
1	Lamp, 40 Amp 140–145 V	LL532S
2	Lamp Flow Tube	LFT530
3	Rod Flow Tube	RFT530
4	Front Mirror 80% R	MR3M80RHC
5	Rear Mirror HR	MR3M100RHC
6	DI Cartridge	D8822
7	Particle Filter	PF9

Other consumables upon request.

# LAMP PUMPED LASER HEADS

High performance and reliability

Part No: CHBA530/C



# LAMP PUMPED LASER HEADS

High performance and reliability



**Part No: CHBA570**

**LASER SYSTEMS:** ESI 44, 80, 4000A, 4200, 2000, 3570, 3571, 3572, Spectra Physics 3000 (Old Style Head Block for use with long head bolts)

**DESCRIPTION:** Single-Lamp Pumped Solid-State Laser Chamber used for laser tri mming & precision marking applications

## ASSEMBLIES:

REFERENCE	PART NUMBER	DESCRIPTION
1	ORK570	O-Ring Kit
2	GC570	Gold Cavity Assembly, Complete
3	BA570	Head Block Assembly (Less Cavity, YAG Rod & Lamp)
4	HBA570	Head Block Assembly (Less YAG Rod & Lamp)
5	CHBA570	Complete Head Block Assembly, TEM00

# Part No: CHBA570

## LASER HEAD COMPONENTS:

REFERENCE	PART NUMBER	DESCRIPTION
1	CEP570L	Upper Cavity Plate, Left, Gold Plated
2	GCE570	Gold Cavity Ellipse, Gold Plated
3	CEP570R	Upper Cavity Plate, Right, Gold Plated
4	CEP570R	Lower Cavity Plate, Right, Gold Plated
5	YRA570	YAG Rod Assembly, 3 mm Dia Rod, TEM <sub>00</sub>
6	YR258	YAG Rod, 3 mm Dia, TEM <sub>00</sub>
7	ORK570	O-Ring, Silicone (Included in Kit)
8	RG570	Rod Guide
9	ORK570	O-Ring, Silicone (Included in Kit)
10	LC570	Lamp Clip
11	CEP570L	Lower Cavity Plate, Left Gold Plated
12	LL570S	Krypton Arc Lamp
13	LFT570	Lamp and Rod Flow Tube
15	REC570	Red End Cap
16	LTB570	Lamp Terminal Block
17	HVP570	High Voltage Pin
18	WF018	Water Fitting, Stateless Steel
19	UHB570	Upper Head Block
20	LHB570	Lower Head Block
24	WF024	Miniature Q-Switch Water Fitting
25	HB570	Head Bolt Long, M8 × 80 mm

## FREQUENTLY USED CONSUMABLES:

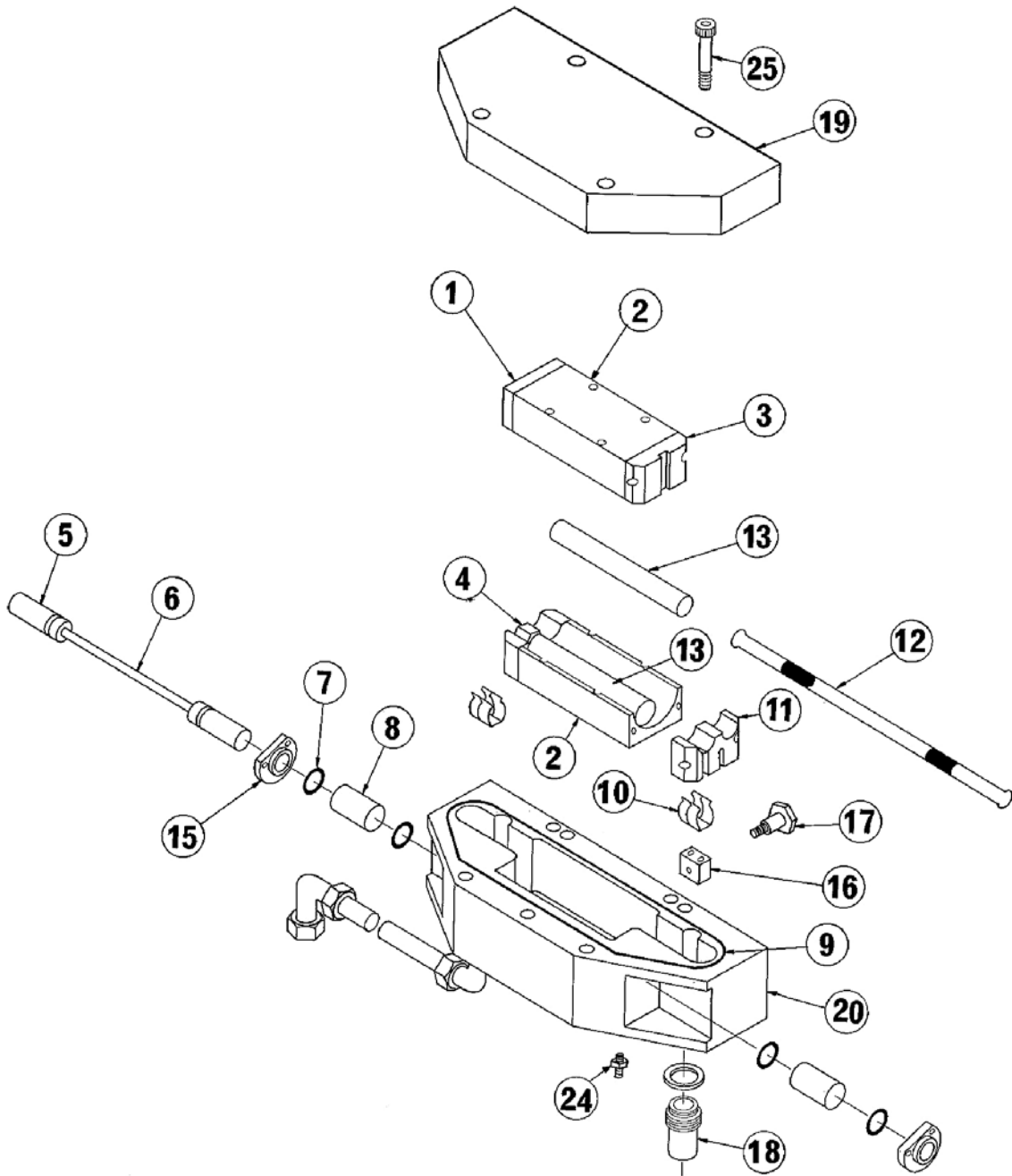
REFERENCE	ITEM	PART NUMBER
1	Lamp	LL570S
2	Lamp Clip, Gold	LC570
3	Lamp & Rod Flow Tube	LFT570
4	Front Mirror, 80% R	MR3M80RHC
5	Front Mirror, 80% R, IMCC	MR3M80C75HC
6	Rear Mirror, HR	MR3M100RHC
7	Rear Mirror, HR, 2MCX	MR3M100R2MCXHC
8	DI Cartridge	D8822
9	Particle Filter, 10"	PF10/20

Other consumables upon request.

# LAMP PUMPED LASER HEADS

High performance and reliability

Part No: CHBA570



# LAMP PUMPED LASER HEADS

High performance and reliability



## Part No: CHBA57I

**LASER SYSTEMS:** ESI 44, 80, 4000A, 4200, 2000, 3570, 3571, 3572, Spectra Physics 3000 (New Style Head Block for use with short head bolts)

**DESCRIPTION:** Single-Lamp Pumped Solid-State Laser Chamber used for laser trimming & precision marking applications

### ASSEMBLIES:

REFERENCE	PART NUMBER	DESCRIPTION
1	ORK570	O-Ring Kit
2	GC570	Gold Cavity Assembly, Complete
3	BA57I	Head Block Assembly (Less Cavity, YAG Rod & Lamp)
4	HBA57I	Head Block Assembly (Less YAG Rod & Lamp)
5	CHBA57I	Complete Head Block Assembly, TEM00

## Part No: CHBA571

### LASER HEAD COMPONENTS:

REFERENCE	PART NUMBER	DESCRIPTION
1	CEP570L	Upper Cavity Plate, Left, Gold Plated
2	GCE570	Gold Cavity Ellipse, Gold Plated
3	CEP570R	Upper Cavity Plate, Right, Gold Plated
4	CEP570R	Lower Cavity Platt, Right, Gold Plated
5	YRA570	YAG Rod Assembly, 3 mm Dia Rod, TEM <sub>00</sub>
6	YR259	YAG Rod, 3 mm Dia, TEM <sub>00</sub>
7	ORK570	O-Ring, Silicone (Included in Kit)
8	RG570	Rod Guide
9	ORK570	O-Ring, Silicone (Included in Kit)
10	LC570	Lamp Clip
11	CEP570L	Lower Cavity Plate, Left, Gold Plated
12	LL570S	Krypton Arc Lamp
13	LFT570	Lamp and Rod Flow Tube
1s	REC570	Rod End Cap
16	LTB570	Lamp Terminal Block
17	HVP570	High Voltage Pin
18	WF018	Water Fitting, Stainless Steel
19	UHB570	Upper Head Block
20	LHB571	New Style Headd Block Threaded for Short Head Bolts
24	WF024	Miniature Q-Switch Water Fitting
25	HB571	Head Bolt Short, 5/16 – 18 × 1.25"

### FREQUENTLY USED CONSUMABLES:

REFERENCE	ITEM	PART NUMBER
1	Lamp	LL570S
2	Lamp Clip, Gold	LC570
3	Lamp & Rod Flow Tube	LFT570
4	Front Mirror, 80% R	MR3M80RHC
5	Front Mirror, 80% R, 1MCC	MR3M80C75HC
6	Rear Mirror, HR	MR3MI00RHC
7	Rear Mirror, HR, 2MCX	MR3MI00R2MCXHC
8	DI Cartridge	D8822
9	Particle Filter, 10"	PF10/20

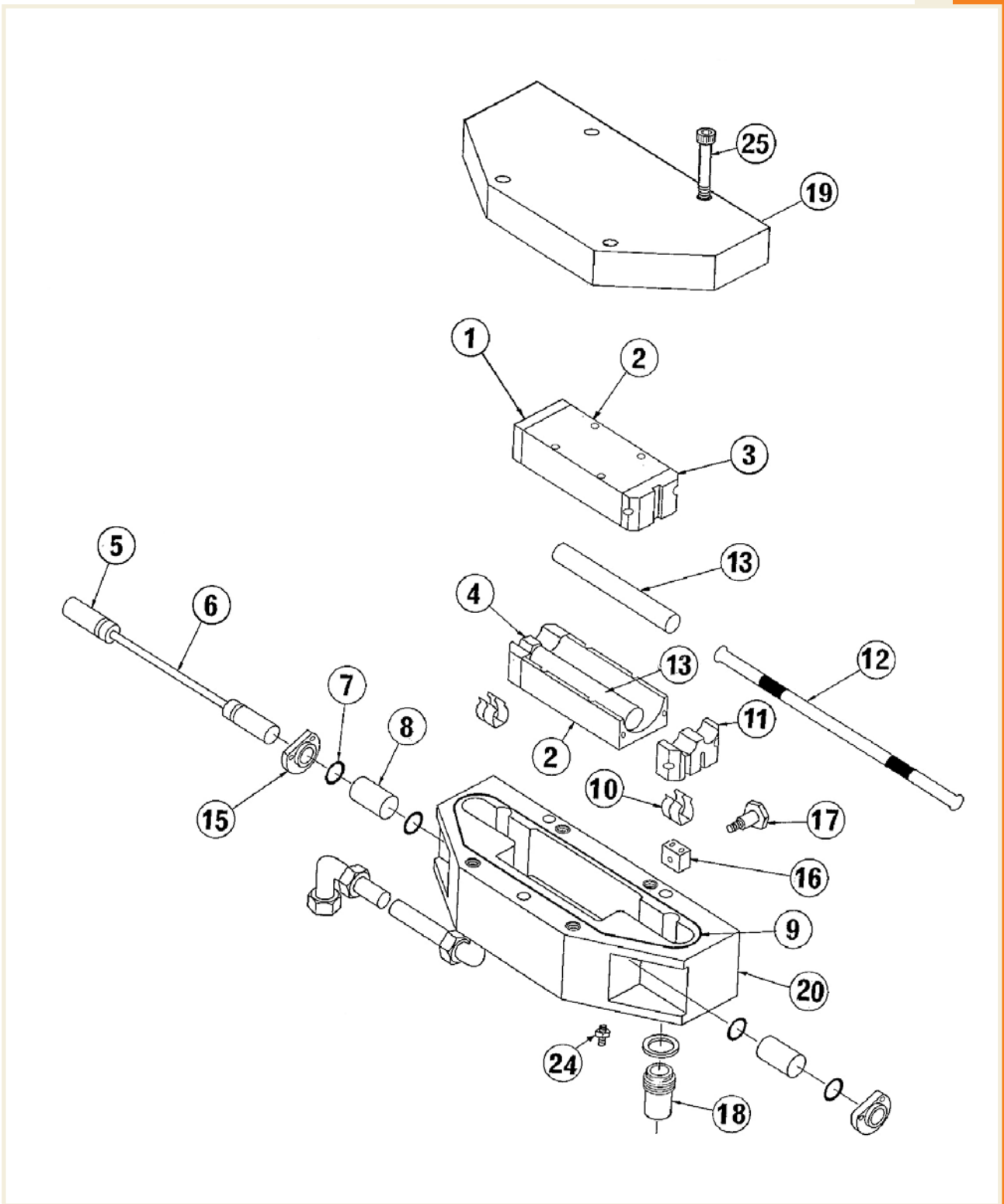
Other consumables upon request.



# LAMP PUMPED LASER HEADS

High performance and reliability

Part No: CHBA57I



# LAMP PUMPED LASER HEADS

High performance and reliability



**Part No: CHBA573**

**LASER SYSTEMS:** ESI 3573, Spectra Physics 3000, 3400

**DESCRIPTION:** Single-Lamp Pumped Solid-State Laser Chamber used for laser tri mming & precision marking applications

## ASSEMBLIES:

REFERENCE	PART NUMBER	DESCRIPTION
1	ORK570	O-Ring Kit
2	GC573	Gold Cavity Assembly, Complete
3	BA571	Head Block Assembly (Less Cavity, YAG Rod & Lamp)
4	HBA573	Head Block Assembly (Less YAG Rod & Lamp)
5	CHBA573	Complete Head Block Assembly, TEM00

# Part No: CHBA573

## LASER HEAD COMPONENTS:

REFERENCE	PART NUMBER	DESCRIPTION
1	CEP573L	Upper Cavity Plate, Left, Gold Plated
2	GCE570	Gold Cavity Ellipse, Gold Plated
3	CEP573R	Upper Cavity Plate Right, Gold Plated
4	CEP573R	Lower Cavity Plate, Right, Gold Plated
5	YRA573	YAG Rod Assembly, 4 mm Dia Rod, TEM <sub>00</sub>
6	YR512	YAG Rod, 4 mm Dia, TEM <sub>00</sub>
7	ORK570	O-Ring, Silicone (Included in Kit)
8	RG570	Rod Guide
9	ORK570	O-Ring, Silicone (Included in Kit)
10	LC570	Lamp Clip
11	CEP573L	Lower Cavity Plate, Left, Gold Plated
12	LL570S	Krypton Arc Lamp
13	LFT570	Lamp Flow Tube
15	REC570	Rod End Cap
16	LTB570	Lamp Terminal Block
17	HVP570	High Voltage Pin
18	WF018	Water Fitting, Stainless Steel
19	UHB570	Upper Head Block
20	LHB571	New Style Head Block Threaded For Short Head Bolts
22	RFT573	Rod Flow Tube
24	WF024	Miniature Q-Switch Water Fitting
25	HB571	Head Bolt Short 5/16"–18 × 1.25"

## FREQUENTLY USED CONSUMABLES:

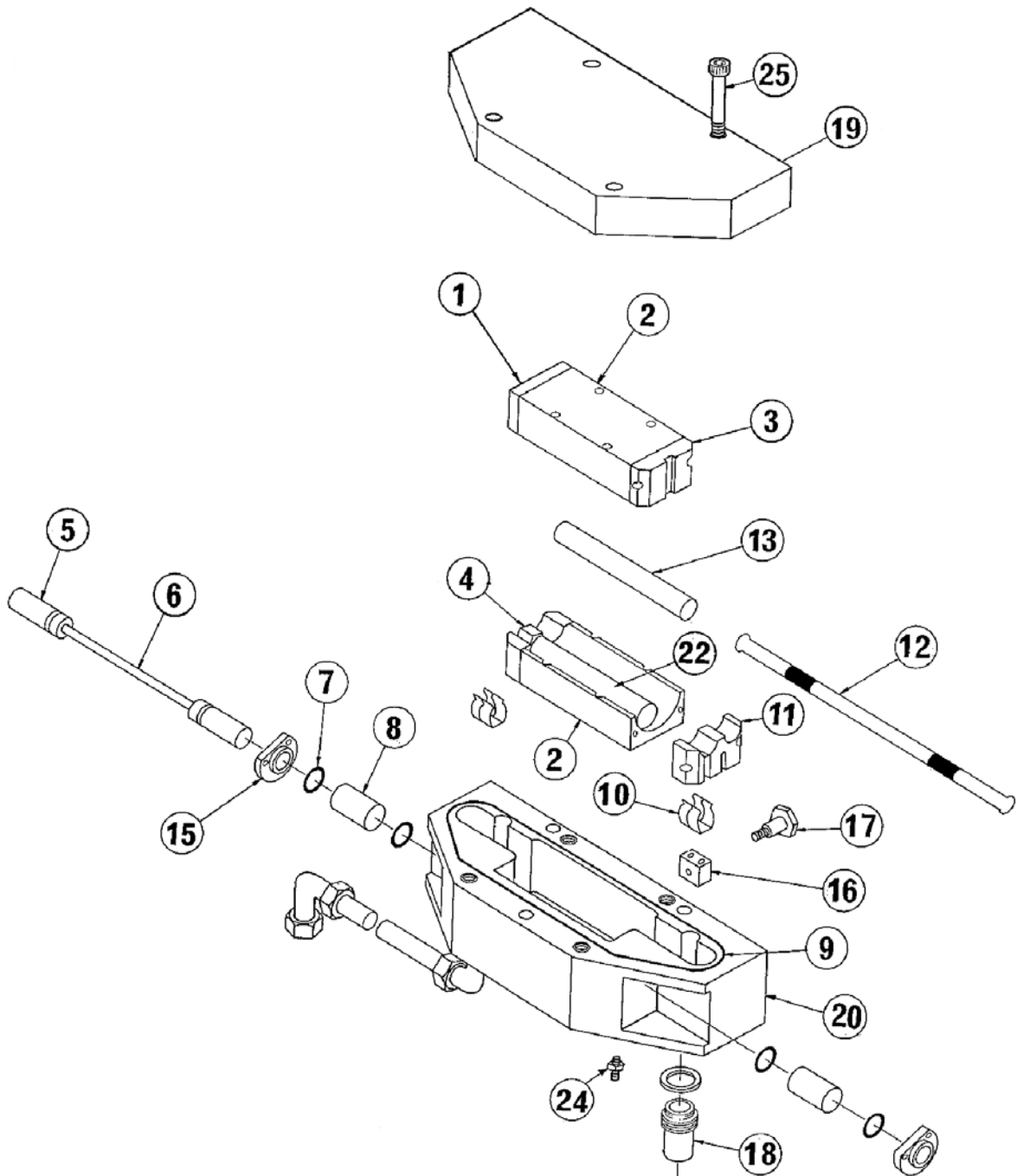
REFERENCE	ITEM	PART NUMBER
1	Lamp	LL570S
2	Lamp Clip, Gold	LC570
3	Front Mirror, 80% R	MR3M80RHC
4	Front Mirror, 80% R, 1MCC	MR3M80C75HC
5	Rear Mirror, HR	MR3M100RHC
6	Rear Mirror, HR, 2MCX	MR3M100R2MCXHC
7	Lamp Flow Tube	LFT570
8	Rod Flow Tube	RFT573
9	DI Cartridge	D8822
10	Particle Filter, 10"	PF10/20

Other consumables upon request.

# LAMP PUMPED LASER HEADS

High performance and reliability

Part No: CHBA573



# LAMP PUMPED LASER HEADS

High performance and reliability



## Part No: CHBA600/C

**LASER SYSTEMS:** Baasel Lasertechnik 600, 601, 612, 615; AB Lasers; M. Pfaffen DS-5000, Zanaboni, 60W Multimode.

**DESCRIPTION:** Single-Lamp Pumped Solid-State Laser Chamber used for precision marking & engraving applications.

### ASSEMBLIES:

REFERENCE	PART NUMBER	DESCRIPTION
1	ORK600	O-Ring Kit
2	GC600	Gold Cavity Assembly, Complete
3	BA600	Head Block Assembly (Less Cavity, YAG Rod, Lamp & Carriage)
4	HBA600	Head Block Assembly (Less YAG Rod, Lamp & Carriage)
5	CHBA600	Head Block Assembly, Complete (Less Carriage)
6	CHBA600/C	Complete Head Block Assembly

## Part No: CHBA600/C

### LASER HEAD COMPONENTS:

REFERENCE	PART NUMBER	DESCRIPTION
1	HB600	Head Bolt, Stainless Steel
2	FIN6000	Heat Sink, Aluminium
3	UHB600	Upper Head Block
4	ORK600	O-Rings (Included in Kit)
5	GCE600	Cavity Ellipse, Gold Plated
6	CEP600U	Cavity End Plate, Upper
7	CEP600L	Cavity End Plate, Lower
8, 9, 12, 13	LCA600	Lamp Clamp Assembly, Gold Plated
10	LL601S	Krypton Arc Lamp 30A, Ball Connector, 80750-006
11	LL512AS/LL512BS	Krypton Arc Lamp, 20A, Ball Connector, 80750-005/ 80750-015
14	LTB600	Lamp terminal Block Assembly, Gold Plated
14a	H41A	M3 × 6 Machined Head Screws
14b	LVB600	Lamp V-Block
14c	ORK600	O-Ring (Included in Kit)
14d	LTP600	Lamp Terminal Post
15	YRA6479	YAG Rod Assembly, Mounted, Multimode
16	YR479	YAG Rod, 4 mm Dia, Multimode
17	ORK600	O-Ring (Included in Kit)
18	DB600	Dust Boot
19	REC600	Rod End Cap
20	RG510	Rod Guide
21	ORK600	O-Ring (Included in Kit)
22	LFT512	Lamp Flow Tube
23	LHB600	Lower Head Block
24	LHC600	Lower Head Carriage
25	H113	M10 Nylon Nut
26, 29	HVI600	High Voltage Insulators
27	H7	M5 Stainless Steel Washer
28, 30	HVP600	High Voltage Pin
31	CLA600	Carriage Clamp Assembly
32	WF032	Water Fitting, Head Block & Q-Switch
33	H26	M4 × 50 Stainless Steel Screw
34	RFT512C	Rod Flow Tube, Cerium Doped
35	TLS600	Teflon Light Shield
36	YR512	YAG Rod, 4 mm Dia, TEM <sub>00</sub>
37	YRA6512	YAG Rod Assembly, Mounted, TEM <sub>00</sub>

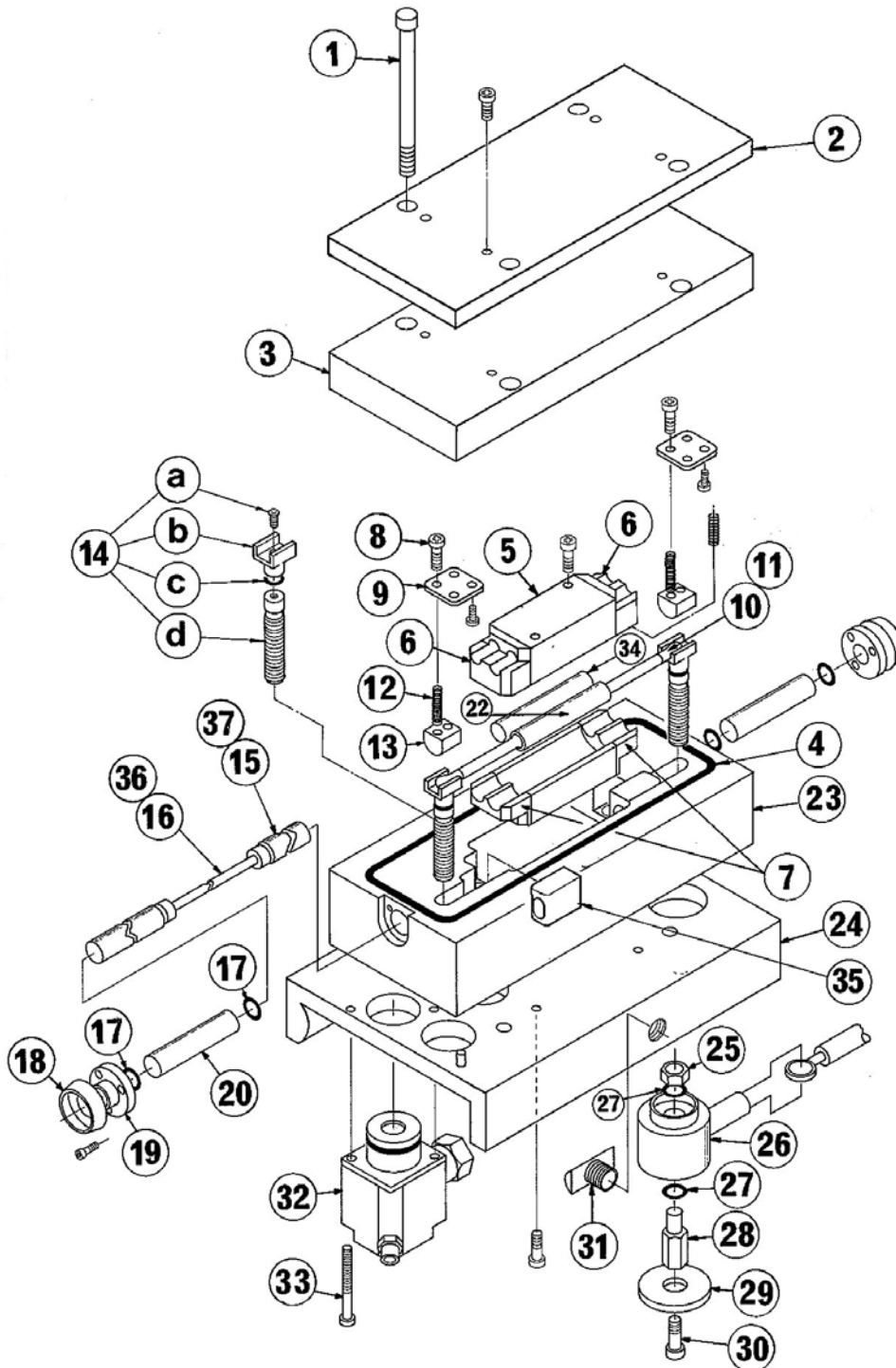
### FREQUENTLY USED CONSUMABLES:

REFERENCE	ITEM	PART NUMBER
1	Lamp, 20 Amps	LL512AS (20A, 145-155V), LL512BS (20A, 155-165V)
2	Lamp Flow Tube	LFT512
3	Rod Flow Tube	RFT512C
4	Lamp 30 Amps	LL601S
5	Lamp 30 Amps	LL601LL Long Life
6	Front Mirror 80%	MR3M80R1MCXHC
7	Rear Mirror HR	MR3M100RHC
8	Particle Filter	PF9/BAASEL
9	DI Cartridge	D8822

# LAMP PUMPED LASER HEADS

High performance and reliability

Part No: CHBA600/C



# LAMP PUMPED LASER HEADS

High performance and reliability



**Part No: CHBA612/C**

**LASER SYSTEMS:** Control Laser 612; Elite; Signature; Emblem, 60W Multimode

**DESCRIPTION:** Single-Lamp Pumped Solid-State Laser Chamber used for precision marking & engraving applications.

## ASSEMBLIES:

REFERENCE	PART NUMBER	DESCRIPTION
1	ORK512	O-Ring Kit
2	GC612	Gold Cavity Assembly
3	BA612	Head Block Assembly (Less Cavity, YAG Rod, Lamp & Carriage)
4	HBA612	Head Block Assembly (Less YAG Rod, Lamp & Carriage)
5	CHBA612	Head Block Assembly, Complete (Less Carriage)
6	CHBA612/C	Complete Head Block Assembly, TEM00
7	CHBA649	Head Block Assembly, Complete (Less Carriage)
8	CHBA649/C	Complete Head Block Assembly, Multimode



# Part No: CHBA612/C

## LASER HEAD COMPONENTS:

REFERENCE	PART NUMBER	DESCRIPTION
1	HBW510	Head Bolt Washer, Nylon
2	HB612	Head Bolt, Stainless Steel
3	FIN512	Heat Sink, Aluminium
4	UHB612	Upper Head Block
5	LFT612	Lamp and Rod Flow Tube, Pyrex
6	CLA500	Carriage Locking Assembly
7	LVB612	Lamp V-block
9	ORK512	O-Ring, Silicone (Included in Kit)
10	LHB612	Lower Head Block
11	LHC612	Head Carriage
12	WF016	Water Fitting, Head Block & Q-Switch
13	ORK512	O-Ring, Silicone (Included in Kit)
14	WF013	Water Fitting, 3/4 – 16 × 5/8"
15	YR512	YAG Rod, 4 mm Dia, Unmounted, TEM <sub>00</sub>
16	SNY632	Nylon Screw, 6–32 × 1/4"
17	HVP510	High Voltage Pin
18	HVI510	High Voltage Insulator (2 pces)
19	ORK512	O-Ring, Silicone (Included in Kit)
20	RFT512SM	Rod Flow Tube, Samarium Doped
21	RG510	Rod Guide
22	REC510	Rod End Cap
23	ORK512	O-Ring, Silicone (Included in Kit)
24	DB510	Dust Boot
25	YRA512	YAG Rod Assembly, Mounted, TEM <sub>00</sub>
26	LSP510	Lower Light Shield, Stainless Steel
27	LL612S	Krypton Arc Lamp (20 Amps 155–165 V)
28	USP612PLUS	Upper Light Shield, Stainless Steel
29	CEP510	Cavity End Plate, Gold Plated
30	GCE512	Cavity Ellipse, Gold Plated
31	YR479	YAG Rod 4 mm Dia, Unmounted, Multimode
32	YRA479	YAG Rod Assembly, Mounted, Multimode
33	LCA512	Lamp Clamp – Not Shown
34	LC510	Lamp Retaining Clip, Gold – Not Shown
35	LLF612	Lamp Lifter – Not Shown

## FREQUENTLY USED CONSUMABLES:

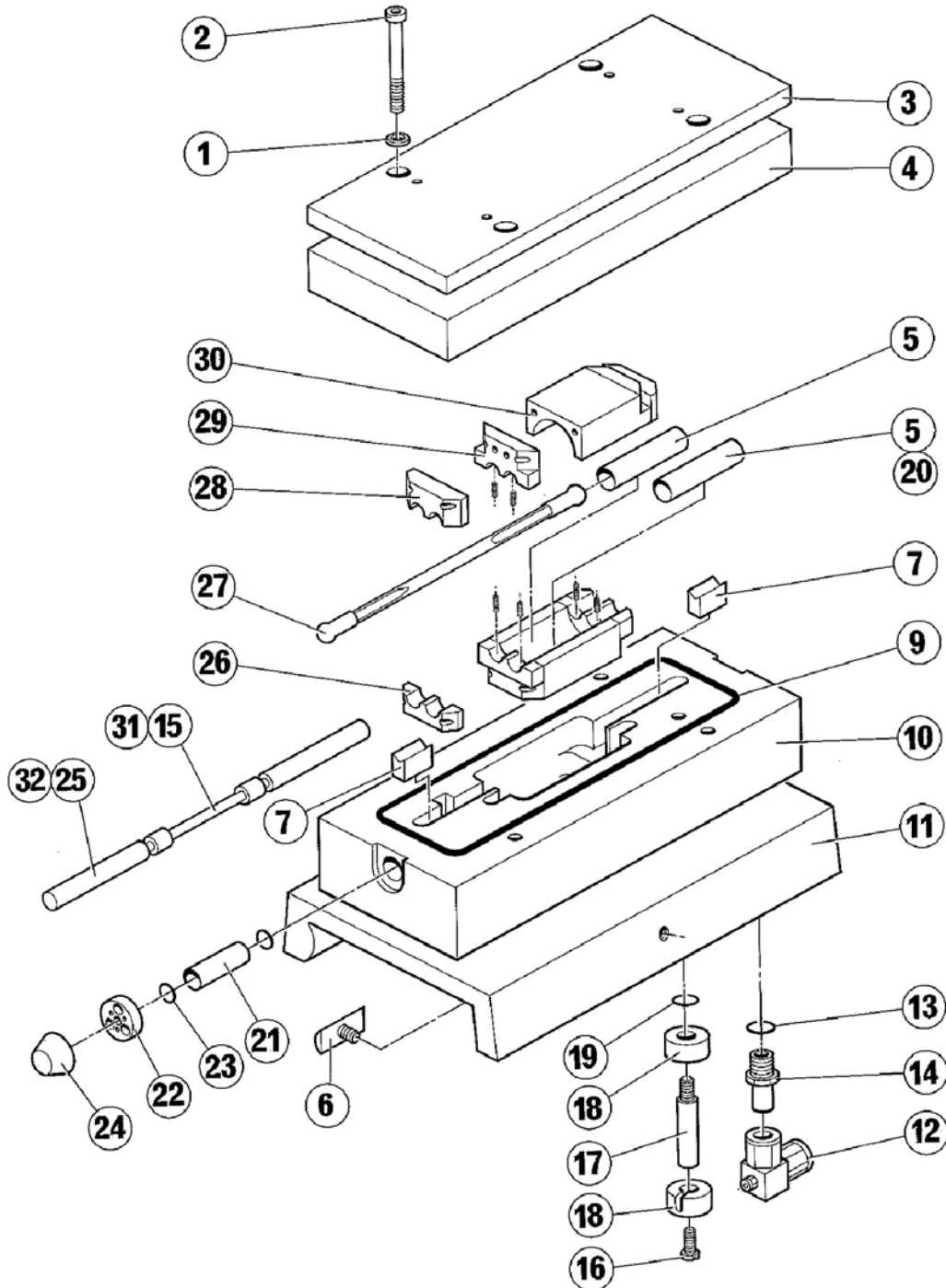
REFERENCE	ITEM	PART NUMBER
1	Lamp, 20 Amps 155–165 V	LL612S
2	Lamp and Rod Flow Tube, Pyrex	LFT612
3	Rod Flow Tube, Samarium	RFT512SM
4	Front Mirror 80% R	MR3M80RHC
5	Front Mirror 90% R	MR3M90RHC
6	Rear Mirror HR	MR3M100RHC
7	DI Cartridge	D8822
8	Particle Filter	PF10
9	Lamp V-Block	LVB612

Other consumables upon request.

# LAMP PUMPED LASER HEADS

High performance and reliability

Part No: CHBA6 I 2/C



Intelligent Solutions, Manufacturing & Development

# LAMP PUMPED LASER HEADS

High performance and reliability



## Part No: CHBA612PLUS

**LASER SYSTEMS:** Control Laser Script 100; Signature 100 & 512 Plus, Sahajanand Laser Hallmark, 120W Multimode.

**DESCRIPTION:** Single-Lamp Pumped Solid-State Laser Chamber used for marking deep engraving & hall marking jewellery applications.

### ASSEMBLIES:

REFERENCE	PART NUMBER	DESCRIPTION
1	ORK512	O-Ring Kit
2	GC612PLUS	Gold Cavity Assembly, Complete
3	BA612PLUS	Head Block Assembly (Less Cavity, YAG Rod & Lamp)
4	HBA612PLUS	Head Block Assembly (Less YAG Rod & Lamp)
5	CHBA612PLUS	Head Block Assembly, Complete

## Part No: CHBA612PLUS

### LASER HEAD COMPONENTS:

Reference	Part Number	Description
1	HBW510	Head Bolt Washer, Nylon
2	HB612	Head Bolt, Stainless Steel
3	FIN612PLUS	Heat Sink, Aluminium
4	UHB612PLUS	Upper Head Block
5	LFT612PLUS	Lamp and Rod Flow Tube
7	LVB612PLUS	Lamp V-block
9	ORK512	O-Ring, Silicone (Included in Kit)
10	LHB612PLUS	Lower Head Block
12	WF016	Water Fitting, Head Block & Q-Switch
13	ORK512	O-Ring, Silicone (Included in Kit)
14	WF013	Water Fitting, 3/4 – 16 × 5/8"
15	YR718	YAG Rod, 4 mm Dia, Unmounted
16	SNY632	Nylon Screw, 6–32 × 1/4"
17	HVP510	High Voltage Pin
18	HVI510	High Voltage Insulator (2 pces)
19	ORK512	O-Ring, Silicone (Included in Kit)
21	RG510	Rod Guide
22	REC510	Rod End Cap
23	ORK512	O-Ring, Silicone (Included in Kit)
24	DB510	Dust Boot
25	YRA2700	YAG Rod Assembly, Mounted
26	LSP510	Lower Light Shield, Stainless
27	LL6645	Krypton Arc Lamp
28	USP612PLUS	Upper Light Shield, Stainless
29	CEP510	Cavity End Plate, Gold Plated
30	GCE612PLUS	Cavity Ellipse, Gold Plated
33	LCA512	Lamp Clamp – Not Shown
34	LC510	Lamp Retaining Clip, Gold – Not Shown
35	LLF612	Lamp Lifter – Not Shown

### FREQUENTLY USED CONSUMABLES:

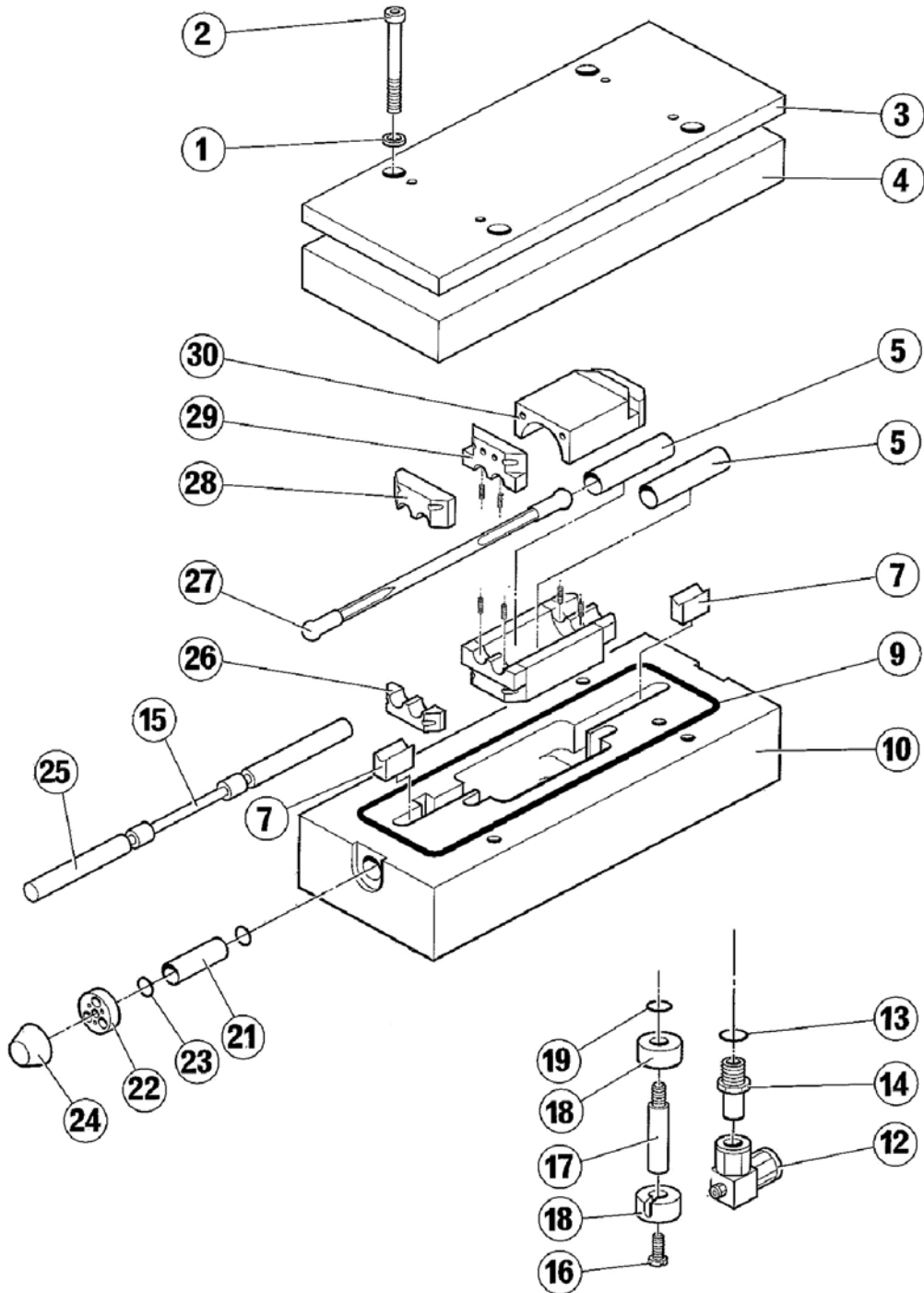
Reference	Item	Part Number
1	Lamp	LL6645
2	Lamp & Rod Flow Tube	LFT612PLUS
3	Front Mirror 80% R	MR3M80RHC
4	Front Mirror 90% R	MR3M90RHC
5	Rear Mirror HR	MR3M100RHC
6	DI Cartridge	D8822
7	Particle Filter	PF10
8	Lamp V-block	LVB612PLUS

Other consumables upon request.

# LAMP PUMPED LASER HEADS

High performance and reliability

## Part No: CHBA6I2PLUS



# LAMP PUMPED LASER HEADS

High performance and reliability



Part No: CHBA620/C

**LASER SYSTEMS:** Control Laser 620, 18W TEM<sub>00</sub>

**DESCRIPTION:** Single-Lamp Pumped Solid-State Laser Chamber used for laser trimming, wafer marking & diamond processing.

## ASSEMBLIES:

REFERENCE	PART NUMBER	DESCRIPTION
1	ORK620	O-Ring Kit
2	GC258	Gold Cavity Assembly, Complete
3	BA620	Head Block Assembly (Less Cavity, YAG Rod, Lamp & Carriage)
4	HBA620	Head Block Assembly (Less YAG Rod, Lamp & Carriage)
5	CHBA620	Head Block Assembly, Complete (Less Carriage)
6	CHBA620/C	Complete Head Block Assembly

# Part No: CHBA620/C

## LASER HEAD COMPONENTS:

REFERENCE	PART NUMBER	DESCRIPTION
1	HB612	Head Bolt, Stainless Steel
2	HBW510	Head Bolt Washer, Nylon
3	FIN512	Heat Sink, Aluminium
4	UHB620	Upper Head Block
5	GCE258	Cavity Ellipse, Gold Plated
6	CEP258R	Cavity End Plate, Right, Gold Plated
7	CEP258L	Cavity End Plate, Left, Gold Plated
8	RFT258	Rod. Flow Tube
9	LFT258X	Lamp Flow Tube
10	LL520S	Krypton Arc Lamp, 40 Amps (Standard)
12	ORK620	O-Ring, Silicone (Included in Kit)
13	LVB612	Lamp V-block
14	ORK620	O-Ring, Silicone (Included in Kit)
15	LHB620	Lower Head Block
16	LHC612	Lower Head Carriage
17	RFT258C	Rod Flow Tube, Doped
18	ORT3MM	O-Ring, 3 mm, Teflon
19	CLA500	Carriage Locking Assembly
20	YRA620	YAG Rod Assembly, Mounted, TEM <sub>00</sub>
21	YR258	YAG Rod, Crystal Only, 3 mm Rod, TEM <sub>00</sub>
22	RG510	Rod Guide
23	REC510	Rod End Cap
24	DB510	Dust Boot
25	HVP510	High Voltage Pin
26	HVI510	High Voltage Insulators (2 pces)
27	SNY632	Nylon Screw, 6-32 × 1/4"
28	WF013	Water Fitting, 3/4 – 16 × 5/8"
29	WF016	Water Fitting, Head Block & Stainless Steel Q-Switch
30	LCA512	Lamp Clamp – Not Shown
31	LC510	Lamp Retaining Clip, Gold – Not Shown
32	LLF620	Lamp Lifter – Not Shown

## REQUENTLY USED CONSUMABLES:

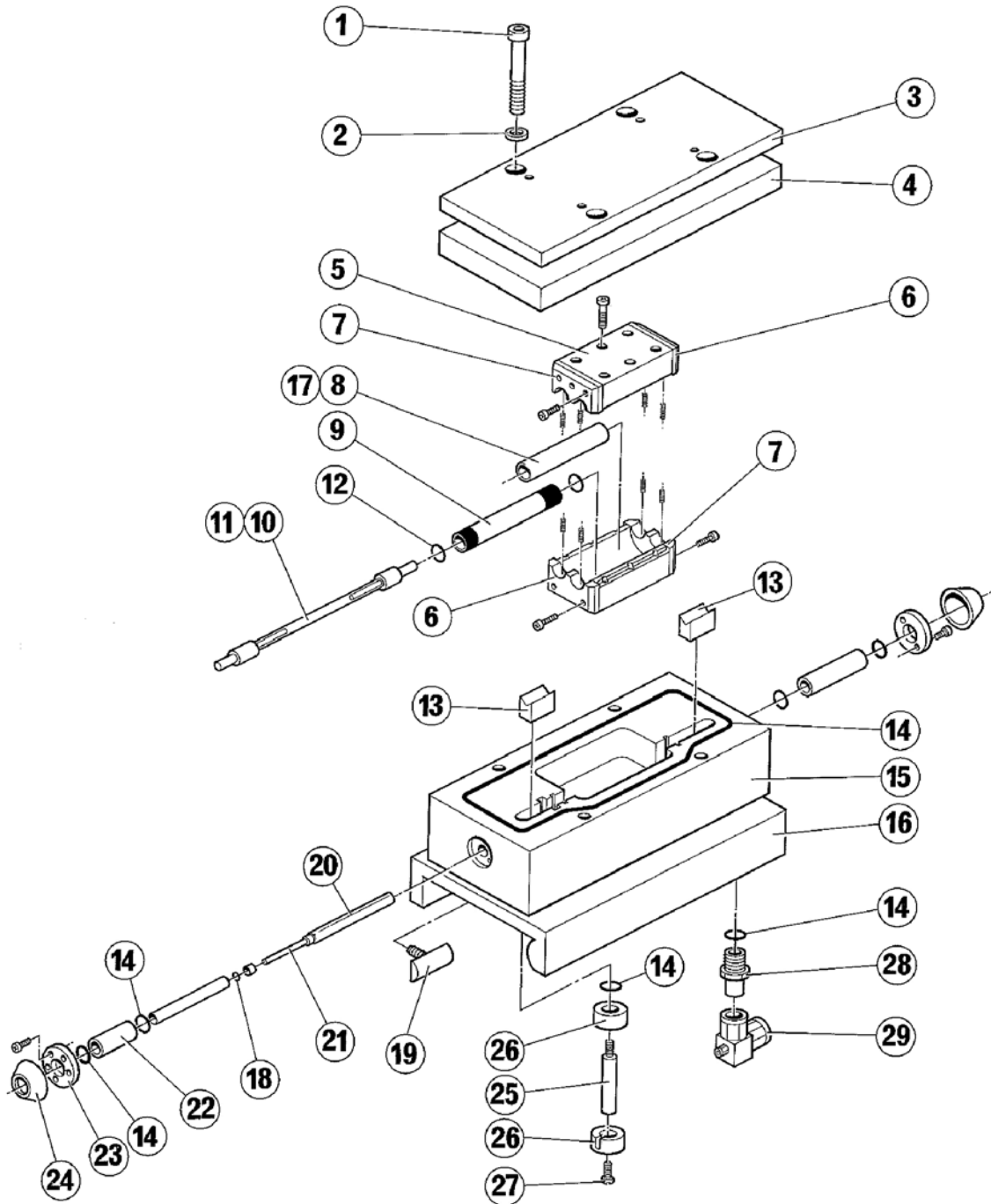
REFERENCE	ITEM	PART NUMBER
1	Lamp, 40 Amp	LL520S
2	Lamp Flow Tube	LFT258X
3	Rod Flow Tube	RFT258
4	Front Mirror 80% R	MR3M80RHC
5	Front Mirror 90% R	MR3M90RHC
6	Rear Mirror HR	MR3MI00RHC
7	DI Cartridge	D8822
8	Particle Filter	PF10
9	Lamp V-Block	LVB612

Other consumables upon request.

# LAMP PUMPED LASER HEADS

High performance and reliability

Part No: CHBA620/C





# LAMP PUMPED LASER HEADS

High performance and reliability



## Part No: CHBA650/C

**LASER SYSTEMS:** Lee Laser Model, 650CD Pulsed Laser Head.

**DESCRIPTION:** Pulsed Single-Lamp Pumped Solid-State Laser Chamber used for precision stencil production.

### ASSEMBLIES:

REFERENCE	PART NUMBER	DESCRIPTION
1	ORK650	O-Ring Kit
2	GC650	Gold Cavity Assembly, Complete (Less Teflon Light Shields)
3	GCA650	Gold Cavity Assembly, Complete (Includes Teflon Light Shields)
4	BA650	Head Block Assembly (Less Cavity, YAG Rod, Lamp & Carriage)
5	HBA650	Head Block Assembly (Less YAG Rod, Lamp & Carriage)
6	CHBA650	Head Block Assembly, Complete (Less Carriage)
7	CHBA650/C	Complete Head Block Assembly

## Part No: CHBA650/C

### LASER HEAD COMPONENTS:

REFERENCE	PART NUMBER	DESCRIPTION
1	HB708	Head Bolt, Stainless Steel
2	H2	Stainless Steel Washer
3	H4	Nylon Washer
4	FIN812	Heat Sink, Aluminium
5	UHB650	Upper Head Block, 100566-001
6	CEP818L	Cavity End Plate Left, Gold Plated
7	LC708	Lamp Contact Band, Gold, 120011-001
8	LFT708	Lamp Flow Tube
9	RFT812	Rod Flow Tube, Doped
10	LL1689	Laser Lamp, LKA5340
11	GCE650L	Cavity Ellipse, Lower, Gold Plated
12	ORK650	O-Ring (Included in Kit), 120009-001
13	HVP818	High Voltage Pin, Gold Plated, 100586-001
14	LCB818R	Lamp Contact Block, Right, 0100580-001
15	LCB818L	Lamp Contact Block, Left, 0100580-002
16	LTB818L	Lamp Terminal Block, Left, 100581-002
17	LHB650	Lower Head Block, 101127-001
18	LHC812	Lower Head Carriage
19	CLA500	Carriage Locking Assembly
20	ORK650	O-Ring (Included in Kit)
21	WF049	Water Fitting 5/8" O.D., Stainless Steel, 120009-002
22	YR482	YAG Rod, 4mm Dia., Unmounted
23	YRA650	YAG Rod Assembly, Mounted
24	ORK650	O-Ring (Included in Kit), 120009-002
25	RG818	Rod Guide, Short
26	REC718	Rod End Cap
27	DB700	Dust Boot
28	ORK650	O-Ring (Included in Kit), 120009-020
29	CEP818R	Cavity End Plate, Gold, Right, Gold Plated
30	LS708U	Teflon Light Shield, Upper
31	TLS718U	Teflon Light Shield, Upper
32	LS708L	Teflon Light Shield, Lower
33	LTB818R	Lamp Terminal Block, Right, 100581-001
34	TLS718L	Teflon Light Shield, Lower
36	LMBS555	Lamp Mounted Block Screw, 100147
38	H79	Stainless Steel Spilt Washer
39	GCE650U	Cavity Ellipse, Upper, Gold Plated
42	RG812	Rod Guide, Long

### FREQUENTLY USED CONSUMABLES:

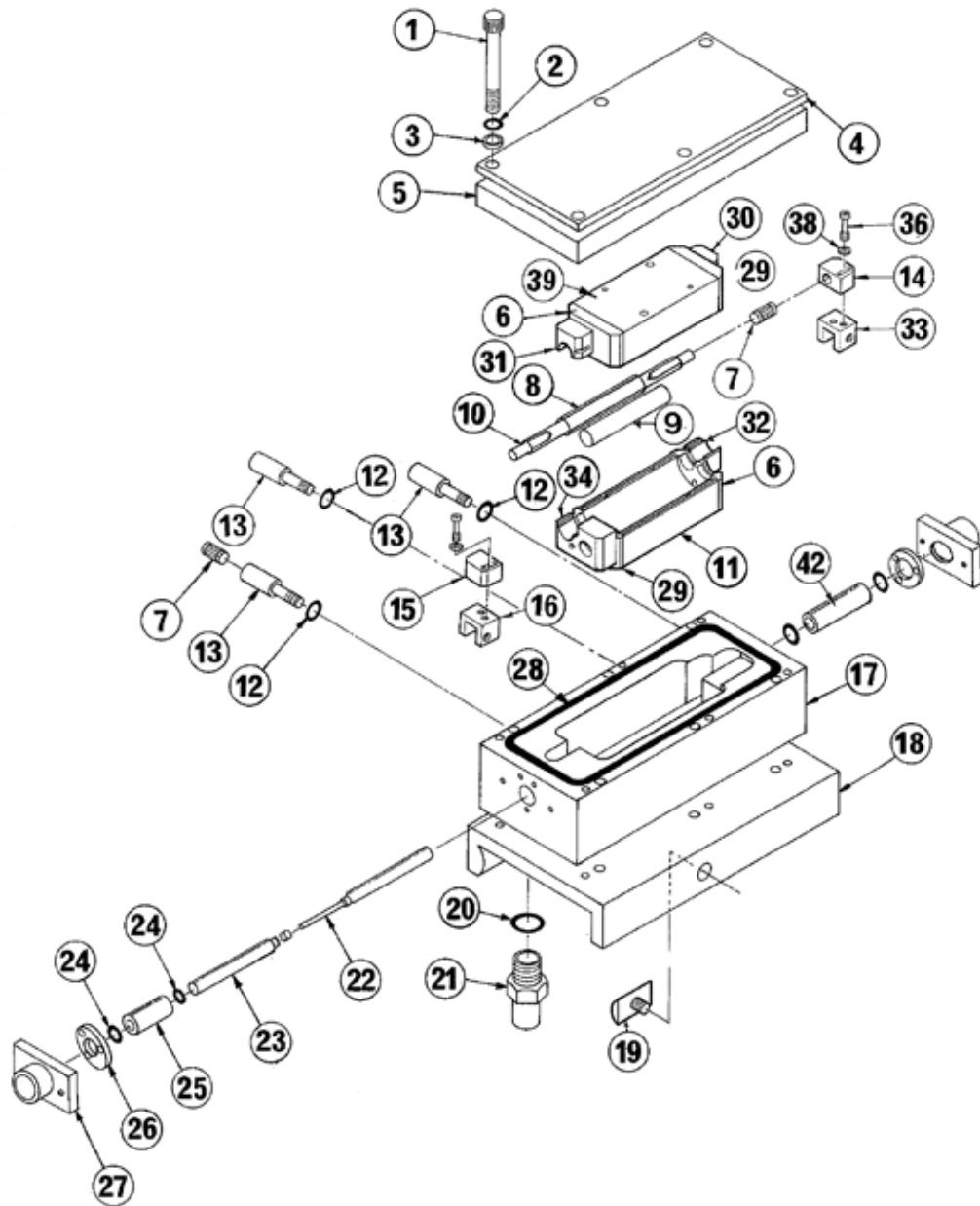
REFERENCE	ITEM	PART NUMBER
1	Lamp, LKA5340	LL1689
2	Lamp Flow Tube	LFT708
3	Rod Flow Tube	RFT812
4	DI Cartridge	D8832

Other consumables upon request.

# LAMP PUMPED LASER HEADS

High performance and reliability

Part No: CHBA650/C



# LAMP PUMPED LASER HEADS

High performance and reliability



**Part No: CHBA708/C**

**LASER SYSTEMS:** Lee Laser Model 708; Chicago Laser CLS39;CLS977; CLS907, CLS960; TLSI & General Scanning L.S.D. W614, W670; Spectra Physics 3000

**DESCRIPTION:** Single-Lamp Pumped Solid-State Laser Chamber used for precision marking, engraving and trimming.

## ASSEMBLIES:

REFERENCE	PART NUMBER	DESCRIPTION
1	ORK708	O-Ring Kit
2	GC708	Gold Cavity Assembly, Complete (Less Teflon Light Shields)
3	GCA708	Gold Cavity Assembly, Complete (Includes Teflon Light Shields)
4	BA708	Head Block Assembly (Less Cavity, YAG Rod, Lamp & Carriage)
5	HBA708	Head Block Assembly (Less YAG Rod, Lamp & Carriage)
6	CHBA708	Head Block Assembly, Complete (Less Carriage),
7	CHBA708/C	Complete Head Block Assembly

# Part No: CHBA708/C

## LASER HEAD COMPONENTS:

REFERENCE	PART NUMBER	DESCRIPTION
1	HB708	Head Bolt, Stainless Steel
2	H2	Stainless Steel Washer
3	H4	Nylon Washer
4	FIN708	Heat Sink, Aluminium
5	UHB708	Upper Head Block
6	CEP708L	Cavity End Plate, Left, Gold
7	LC708	Lamp Contact Band, Gold
8	LFT708	Lamp Flow Tube
9	RFT712	Rod Flow Tube, Cerium Doped
10	LL708S	Laser Lamp, High Stability, 20 Amps
11	GCE708	Cavity Ellipse, Gold
12	ORK708	O-Rings (Included in Kit)
13	HVP708	High Voltage Pin
14	LMBS555	Lamp, Mounting Block, Screw
15	LCB708	Lamp Contact Block
16	LTB708	Lamp Terminal Block
17	LHB708	Lower Head Block
18	LHC708	Lower Head Carriage
19	CLA500	Carriage Locking Assembly
20	ORK708	O-Ring (Included in Kit)
21	WF049	Water Fitting 5/8" O.D., Stainless Steel
22	YR512	YAG Rod, 4 mm Dia, TEM <sub>00</sub> , Un-mounted
23	YRA708	YAG Rod Assembly, TEM <sub>00</sub> Mounted
24	ORK708	O-Ring (Included in Kit)
25	RG708	Rod Guide
26	REC708	Rod End Cap
27	DB718	Dust Boot
28	ORK708	O-Ring (Included in Kit)
29	CEP708R	Cavity End Plate, Right, Gold
30	LS708U	Teflon Light Shield, Upper (Sold as TLS708KIT)
31	LS708L	Teflon Light Shield, Lower (Sold as TLS708KIT)
32	WF022	Water Fitting, Reducer 1/2" O.D
33	WF016/2	Elbow Fitting 5/8" Nylon, Q-Switch Barb
34	LL4462S	Laser Lamp, 30 Amps
35	H79	Stainless Steel Split Washer

## FREQUENTLY USED CONSUMABLES:

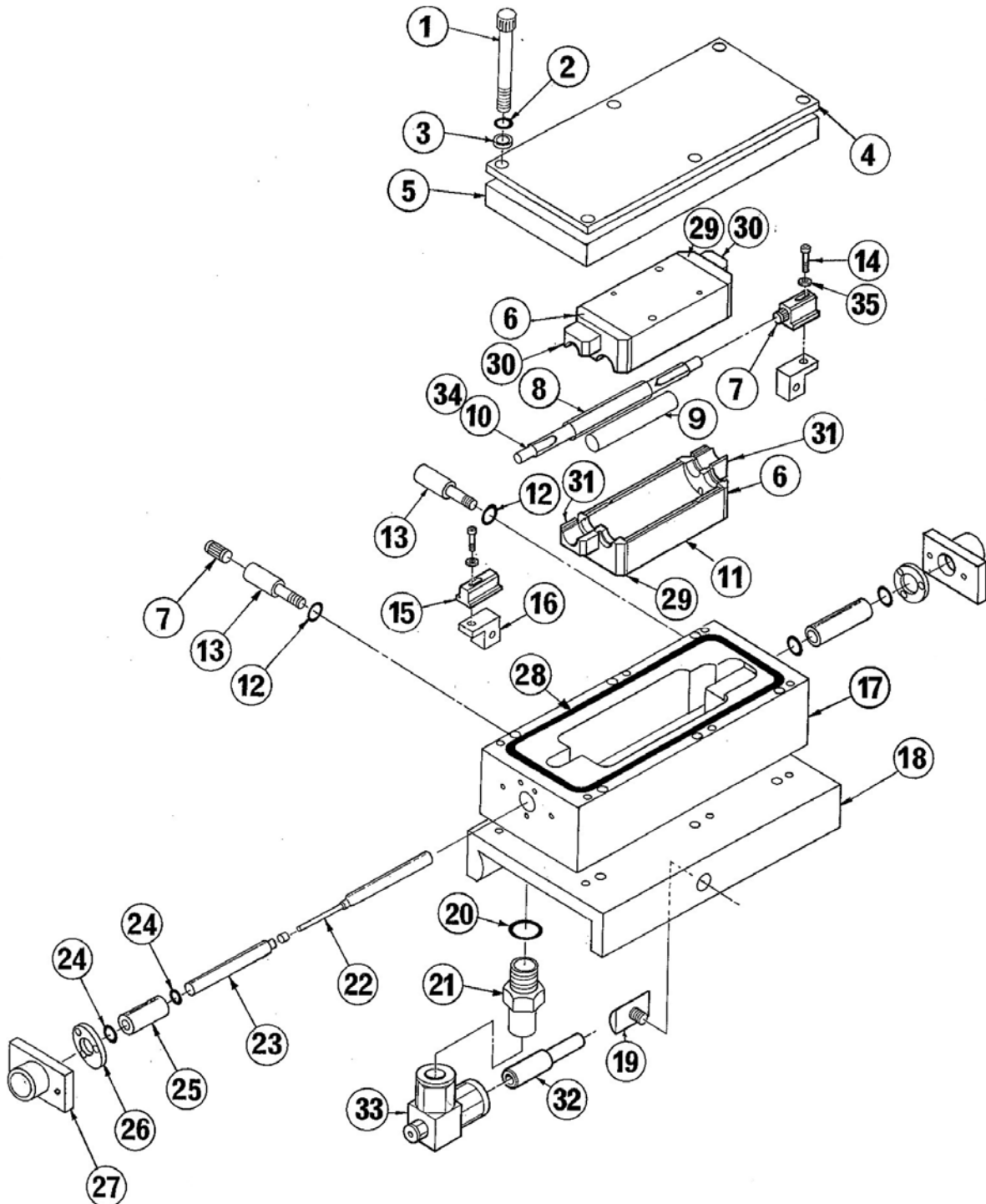
REFERENCE	ITEM	PART NUMBER
1	Lamp, 20Amp	LL708S
2	Lamp Flow Tube	LFT708
3	Rod Flow Tube	RFT712
4	Front Mirror	MR3M90RHC
5	Lamp, 30Amp	LL4462S
6	DI Cartridge	D700
7	DI Cartridge	D8832 (Chicago Laser)
8	Rear Mirror, HR	MR3MI00RHC

Other consumables upon request.

# LAMP PUMPED LASER HEADS

High performance and reliability

Part No: CHBA708/C



Intelligent Solutions, Manufacturing & Development

# LAMP PUMPED LASER HEADS

High performance and reliability



## Part No: CHBA712/C

**LASER SYSTEMS:** Lee Laser Model 712; Chicago Laser CLS39; CLS977; CLS907; CLS960; Spectra Physics 3400, 3800

**DESCRIPTION:** Single-Lamp Pumped Solid-State Laser Chamber used for precision marking, engraving and trimming.

### ASSEMBLIES:

REFERENCE	PART NUMBER	DESCRIPTION
1	ORK712	O-Ring Kit
2	GC708	Gold Cavity Assembly, Complete (Less Teflon Light Shields)
3	GCA712	Gold Cavity Assembly, Complete (Includes Teflon Light Shields)
4	BA712	Head Block Assembly (Less Cavity, YAG Rod, Lamp & Carriage)
5	HBA712	Head Block Assembly (Less YAG Rod, Lamp & Carriage)
6	CHBA712	Head Block Assembly, Complete (Less Carriage),
7	CHBA712/C	Complete Head Block Assembly

## Part No: CHBA712/C

### LASER HEAD COMPONENTS:

REFERENCE	PART NUMBER	DESCRIPTION
1	HB708	Head Bolt, Stainless Steel
2	H2	Stainless Steel Washer
3	H4	Nylon Washer
4	FIN708	Heat Sink, Aluminium
5	UHB708	Upper Head Block
6	CEP708L	Cavity End Plate, Left, Gold
7	LC708	Lamp Contact Band, Gold
8	LFT708	Lamp Flow Tube
9	RFT712	Rod Flow Tube, Cerium Doped
10	LL4462S	Krypton Arc Lamp, 30 Amps
11	GCE708	Cavity Ellipse, Gold
12	ORK712	O-Rings (Included in Kit)
13	HVP708	High Voltage Pin
14	LMBS555	Lamp, Mounting Block, Screw
15	LCB708	Lamp Contact Block
16	LTB708	Lamp Terminal Block
17	LHB712	Lower Head Block
18	LHC708	Lower Head Carriage
19	CLA500	Carriage Locking Assembly
20	ORK712	O-Ring (Included in Kit)
21	WF049	Water Fitting 5/8" O.D., Stainless Steel
22	YR258	YAG Rod, 4 mm Dia, Unmounted
23	YRA712	YAG Rod Assembly, Mounted
24	ORK712	O-Ring (Included in Kit)
25	RG708	Rod Guide
26	REC708	Rod End Cap
27	DB718	Dust Boot
28	ORK712	O-Ring (Included in Kit)
29	CEP708R	Cavity End Plate, Right, Gold
30	LS708U	Teflon Light Shield, Upper (Sold as TLS708KIT)
31	TLS718U	Teflon Light Shield, Upper (Sold as TLS718KIT)
32	LS708L	Teflon Light Shield, Lower (Sold as TLS708KIT)
33	WF022	Water Fitting, Reducer 1/2" O.D
34	TLS718L	Teflon Light Shield, Lower (Sold as TLS718KIT)
35	WF016/2	Elbow Fitting 5/8" Nylon, Q-Switch Barb
36	H79	Stainless Steel Spilt Washer

### FREQUENTLY USED CONSUMABLES:

REFERENCE	ITEM	PART NUMBER
1	Lamp, 30Amp	LL4462S
2	Lamp Flow Tube	LFT708
3	Rod Flow Tube	RFT712
4	DI Cartridge	D700
5	DI Cartridge	D8832 (Chicago Laser)
6	Front Mirror 90%	MR3M90RHC
7	Rear Mirror HR	MR3MI00RHC

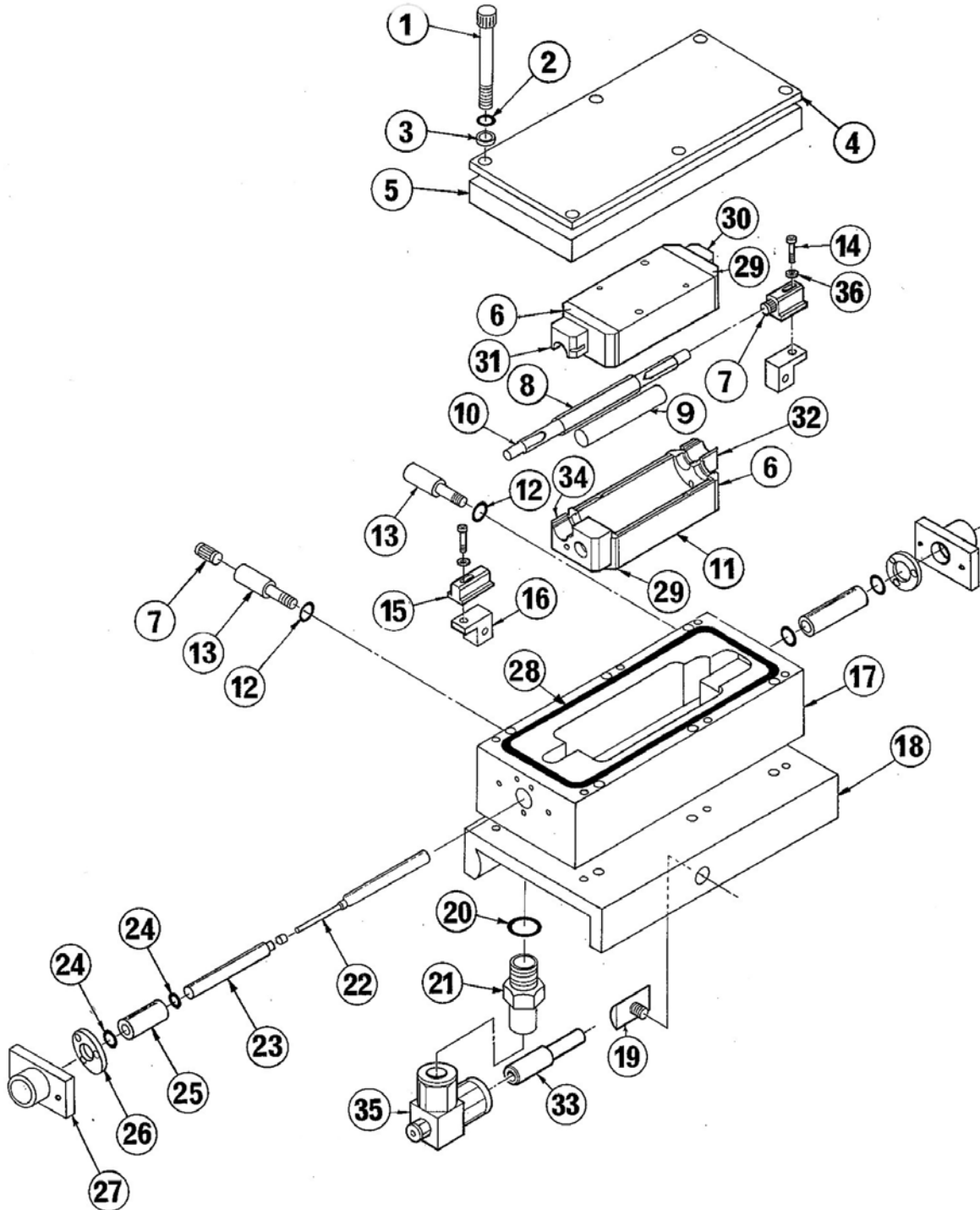
Other consumables upon request.



# LAMP PUMPED LASER HEADS

High performance and reliability

Part No: CHBA712/C



# LAMP PUMPED LASER HEADS

High performance and reliability



**Part No: CHBA718/C**

**LASER SYSTEMS:** Lee Laser Model 715, 718; General Scanning Hi-Mark 400

**DESCRIPTION:** Single-Lamp Pumped Solid-State Laser Chamber used for precision marking & engraving applications.

**ASSEMBLIES:**

REFERENCE	PART NUMBER	DESCRIPTION
1	ORK718	O-Ring Kit
2	GC718	Gold Cavity Assembly, Complete (Less Teflon Light Shields)
3	GCA718	Gold Cavity Assembly, Complete (Includes Teflon Light Shields)
4	BA718	Head Block Assembly (Less Cavity, YAG Rod, Lamp & Carriage)
5	HBA718	Head Block Assembly (Less YAG Rod, Lamp & Carriage)
6	CHBA718	Head Block Assembly, Complete (Less Carriage),
7	CHBA718/C	Complete Head Block Assembly

# Part No: CHBA718/C

## LASER HEAD COMPONENTS:

REFERENCE	PART NUMBER	DESCRIPTION
1	HB708	Head Bolt, Stainless Steel
2	H2	Stainless Steel Washer
3	H4	Nylon Washer
4	FIN718	Heat Sink, Aluminium
5	UHB718	Upper Head Block
6	CEP708L	Cavity End Plate, Left, Gold
7	LC708	Lamp Contact Band, Gold
8	LFT718	Lamp Flow Tube
9	RFT718	Rod Flow Tube, Cerium Doped
10	LL9300	Krypton Arc Lamp, 30 Amps
11	GCE718	Cavity Ellipse, Gold
12	ORK718	O-Rings (Included in Kit)
13	HVP708	High Voltage Pin
14	LMBS555	Lamp, Mounting Block, Screw
15	LCB708	Lamp Contact Block
16	LTB708	Lamp Terminal Block
17	LHB718	Lower Head Block
18	LHC718	Lower Head Carriage
19	CLA500	Carriage Locking Assembly
20	ORK718	O-Ring (Included in Kit)
21	WF049	Water Fitting 5/8" O.D., Stainless Steel
22	YR718	YAG Rod, 4 mm Dia, Unmounted, TEM <sub>00</sub>
23	YRA718	YAG Rod Assembly, Mounted, TEM <sub>00</sub>
24	ORK718	O-Ring (Included in Kit)
25	RG708	Rod Guide
26	REC718	Rod End Cap
27	DB718	Dust Boot
28	ORK718	O-Ring (Included in Kit)
29	CEP708R	Cavity End Plate, Right, Gold
30	LS708U	Teflon Light Shield, Upper (Sold as TLS708KIT)
31	TLS718U	Teflon Light Shield, Upper (Sold as TLS718KIT)
32	LS708L	Teflon Light Shield, Lower (Sold as TLS708KIT)
33	WF022	Water Fitting, Reducer 1/2" O.D
34	TLS718L	Teflon Light Shield, Lower (Sold as TLS718KIT)
35	WF016/2	Elbow Fitting 5/8" Nylon, Q-Switch Barb
36	H79	Stainless Steel Spilt Washer

## FREQUENTLY USED CONSUMABLES:

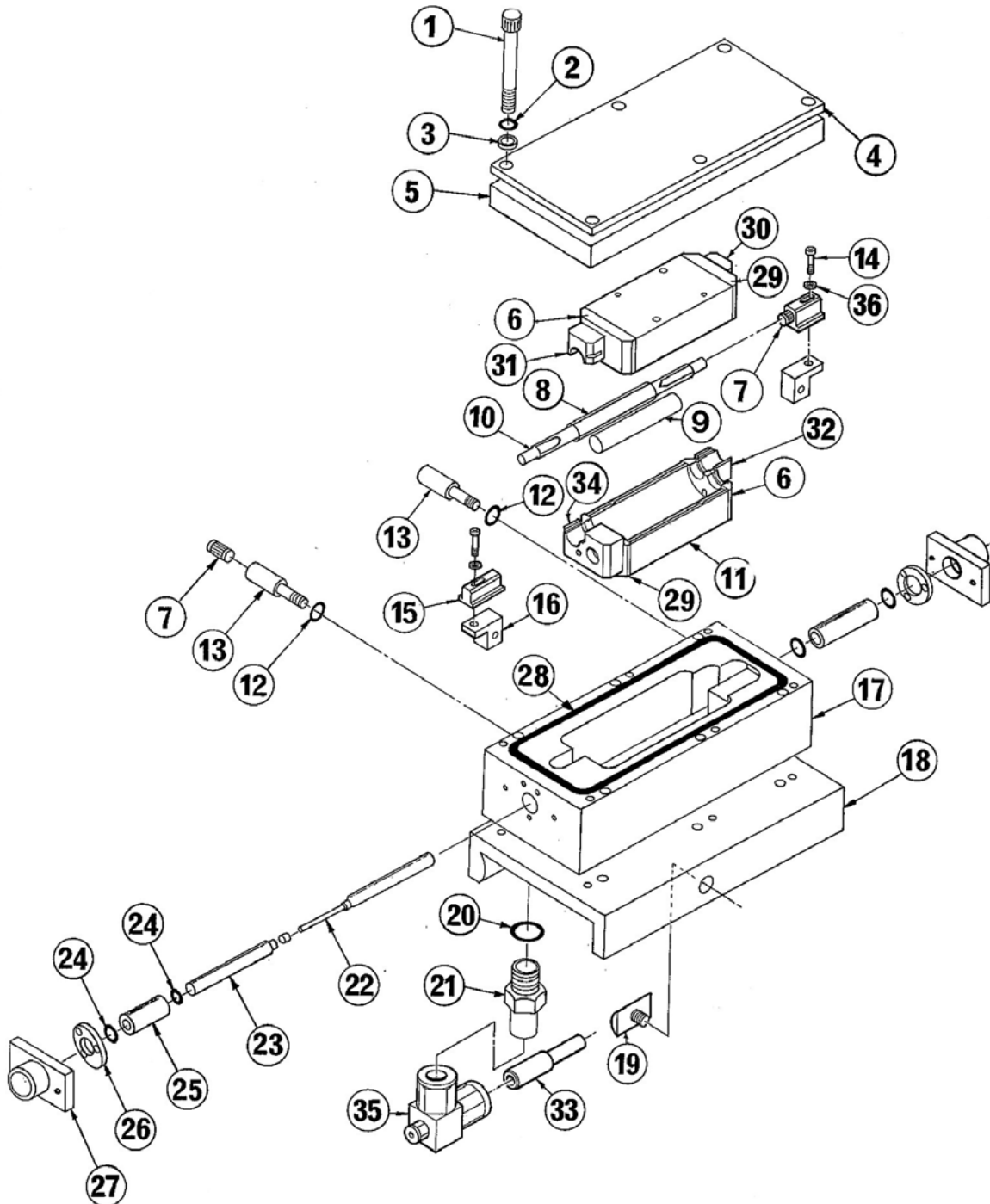
REFERENCE	ITEM	PART NUMBER
1	Lamp, 30Amp	LL9300
2	Lamp Flow Tube	LFT718
3	Rod Flow Tube	RFT718
4	DI Cartridge	D700
5	Front Mirror 80%	MR3M80RHC
6	Front Mirror 90%	MR3M90RHC
7	Rear Mirror HR	MR3M100RHC

Other consumables upon request.

# LAMP PUMPED LASER HEADS

High performance and reliability

Part No: CHBA718/C



Intelligent Solutions, Manufacturing & Development

# LAMP PUMPED LASER HEADS

High performance and reliability

## Part No: CHBA747

**LASER SYSTEMS:** Laser Optronic Model 747

**DESCRIPTION:** Single-Lamp Pumped Solid-State Laser Chamber used for laser trimming and marking applications.

### LASER HEAD COMPONENTS:

Reference	Part Number	Description
1	GCE747	Gold Cavity Reflector
2	LFT747	Lamp Flow Tube
3	LL747	Laser Lamp, 2.5kW
4	YRA747	YAG Rod Assembly, 4 mm Dia, Mounted
5	ORK747	O-Rings (Included in Kit)
6	CEP747A	Cavity End Plate, Inlet, Gold
7	CEP747B	Cavity End Plate, Outlet, Gold
8	CEB747A	Cavity End Block, Cathode
9	CEB747B	Cavity End Block, Anode
10	CPP747	Crystal Pressure Plate
11	LPP747	Lamp Pressure Plate
12	CH747T	Cavity Reflector Holder, Top
13	CH747B	Cavity Reflector Holder, Bottom
14	DOWEL747	Dowel, Stainless Steel

### ASSEMBLIES:

REFERENCE	PART NUMBER	DESCRIPTION
1	ORK747	O-Ring Kit
2	HBA747	Head Block Assembly

### FREQUENTLY USED CONSUMABLES:

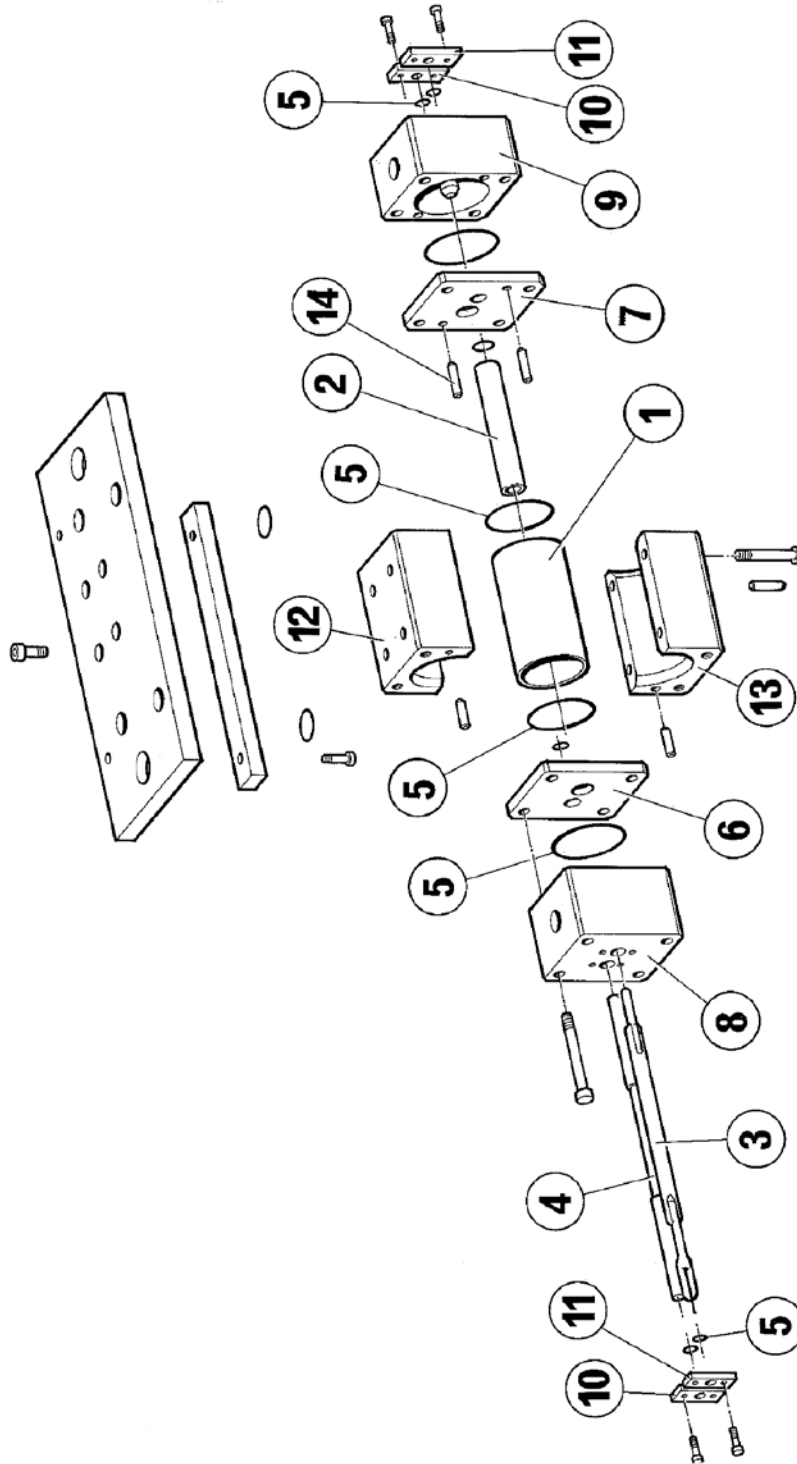
REFERENCE	ITEM	PART NUMBER
1	Lamp	LL747
2	Lamp & Rod Flow Tube	LFT747
3	Front Mirror 90% R	MRIM90RHC
4	Rear Mirror HR	MRIM100RHC
5	D.I. Cartridge	D2002
6	Particle Filter, 10"	PF10

Other consumables upon request.

# LAMP PUMPED LASER HEADS

High performance and reliability

Part No: CHBA747



# LAMP PUMPED LASER HEADS

High performance and reliability

## Part No: CHBA767

**LASER SYSTEMS:** Laser Optronic 767, Evermark 8070, 815, 860

**DESCRIPTION:** Single-Lamp Pumped Solid-State Laser Chamber used for laser trimming, marking and engraving applications.

### LASER HEAD COMPONENTS:

REFERENCE	PART NUMBER	DESCRIPTION
1	WIB767	Water Inlet Block
2	CEP767A	Cavity End Plate, Outlet
3	CH767	Cavity Holder
4	CEP767B	Cavity End Plate, Inlet
5	WOB767	Water Outlet Block
6	CPP767	Crystal Pressure Plate
7	LPP767	Lamp Pressure Plate
8	GCE700	Gold Reflector Tube
9	LL767	Krypton Arc Lamp, 3.5 kW
10	YR485	YAG Rod, 4 mm Rod, Unmounted
11	YRA767	YAG Rod Assembly, 4 mm, Mounted
12	LFT747	Lamp & Rod Flow Tubes
13	ORK767	O-Rings (Included in Kit)
14	WOBSSF767	Stainless Steel Micro Filter

### ASSEMBLIES:

REFERENCE	PART NUMBER	DESCRIPTION
1	ORK767	O-Ring Kit
2	HBA767	Head Block Assembly (Less YAG Rod & Lamp)
3	CHBA767	Complete Head Block Assembly

# LAMP PUMPED LASER HEADS

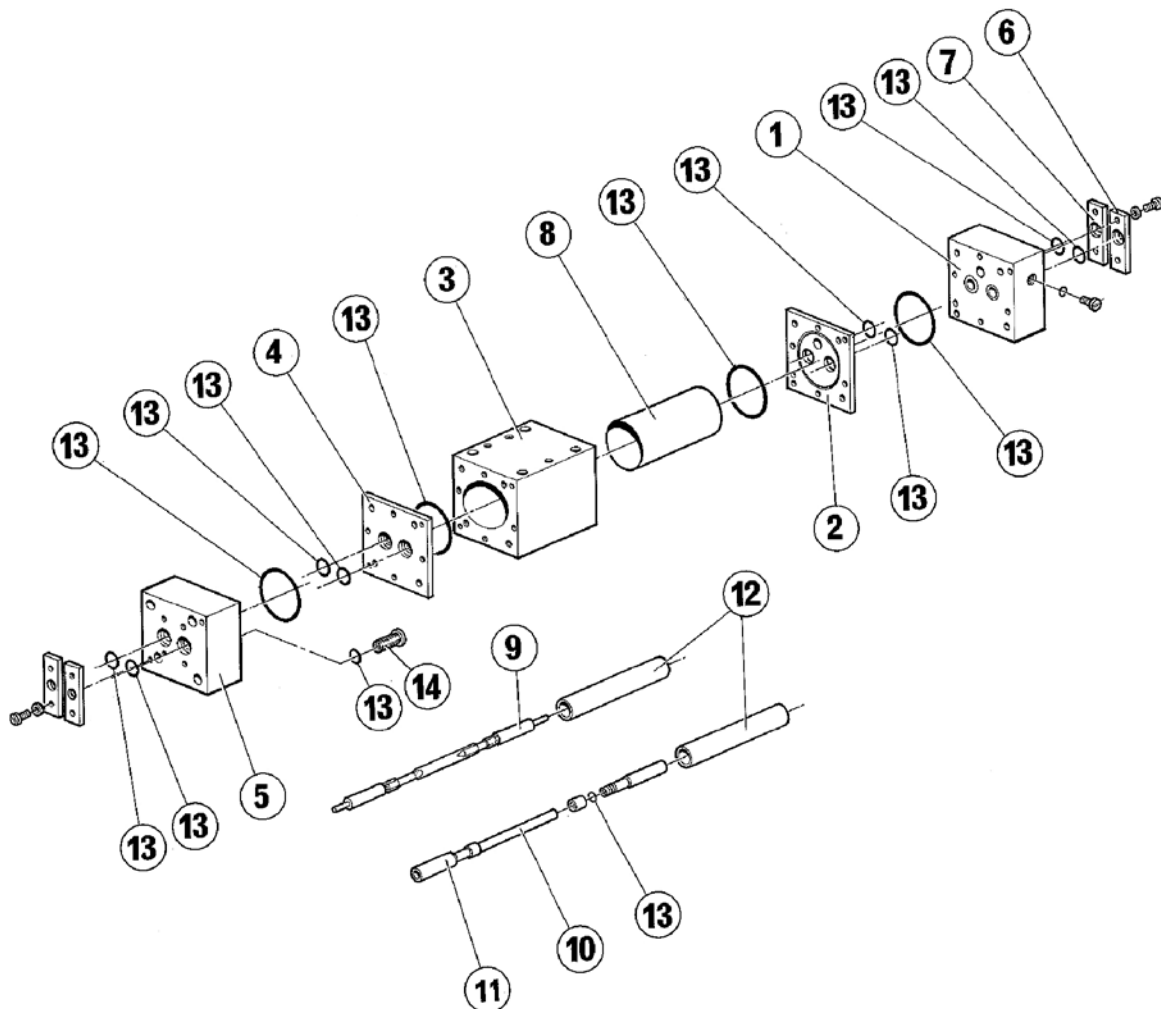
High performance and reliability

## Part No: CHBA767

### FREQUENTLY USED CONSUMABLES:

REFERENCE	ITEM	PART NUMBER
1	Lamp	LL767
2	Lamp & Rod Flow Tube	LFT767
3	Front Mirror 90% R	MRIM90RHC
4	Rear Mirror HR	MRIMI00RHC
5	D.I. Cartridge	D2002
6	Particle Filter, 10"	PF10

Other consumables upon request.





# LAMP PUMPED LASER HEADS

High performance and reliability



## Part No: CHBA808/C, CHBA812/C

**LASER SYSTEMS:** Lee Laser Model 803; 808; 812; Chicago Laser CLS39; CLS907; CLS947; CLS977; CLS977; CLS907; CLS960; Spectra Physics, Universal Laser Systems Inc., General Scanning LSD W724, TLSI W670

**DESCRIPTION:** Single-Lamp Pumped Solid-State Laser Chamber used for precision marking, engraving and trimming.

### ASSEMBLIES:

REFERENCE	PART NUMBER	DESCRIPTION
1	ORK812	O-Ring Kit
2	GC812	Gold Cavity Assembly, Complete (Less Teflon Light Shields)
3	GCA812	Gold Cavity Assembly, Complete (Includes Teflon Light Shields)
4	BA812	Head Block Assembly (Less Cavity, YAG Rod, Lamp & Carriage)
5	HBA812	Head Block Assembly (Less YAG Rod, Lamp & Carriage)
6	CHBA812	Head Block Assembly, Complete (Less Carriage)
7	CHBA812/C	Complete Head Block Assembly
8	CHBA808	Head Block Assembly, Complete (Less Carriage) TEM00
9	CHBA808/C	Complete Head Block Assembly, TEM00

**Part No: CHBA808/C, CHBA812/C**

**LASER HEAD COMPONENTS:**

REFERENCE	PART NUMBER	DESCRIPTION
1	HB708	Head Bolt, Stainless Steel
2	H2	Stainless Steel Washer
3	H4	Nylon Washer
4	FIN812	Heat Sink, Aluminium
5	UHB812	Upper Head Block
6	CEP818L	Cavity End Plate Left, Gold Plated
7	LC708	Lamp Contact Band, Gold
8	LFT708	Lamp Flow Tube
9	RFT812	Rod Flow Tube, Cerium Doped
10	LL4462S	Krypton Arc Lamp, 30 Amps
11	GCE708	Cavity Ellipse, Gold Plated
12	ORK812	O-Ring (Included in Kit)
13	HVP818	High Voltage Pin
14	LCB818R	Lamp Contact Block, Right
15	LCB818L	Lamp Contact Block, Left
16	LTB818L	Lamp Terminal Block, Left
17	LHB812	Lower Head Block
18	LHC812	Lower Head Carriage
19	CLA500	Carriage Locking Assembly
20	ORK812	O-Ring (Included in Kit)
21	WF049	Water Fitting 5/8" O.D., Stainless Steel
22	YR512	YAG Rod, 4 mm Dia, Unmounted, TEM <sub>00</sub>
23	YRA808	YAG Rod Assembly, Mounted, TEM <sub>00</sub>
24	ORK812	O-Ring (Included in Kit)
25	RG818	Rod Guide, Short
26	REC718	Rod End Cap
27	DB718	Dust Boot
28	ORK812	O-Ring (Included in Kit)
29	CEP818R	Cavity End Plate, Gold, Right, Gold Plated
30	LS708U	Teflon Light Shield, Upper
31	TLS718U	Teflon Light Shield, Upper
32	LS708L	Teflon Light Shield, Lower
33	LTB818R	Lamp Terminal Block, Right
34	TLS718L	Teflon Light Shield, Lower
35	WF016	Elbow Fitting 5/8" Nylon, Q-Switch
36	LMBS555	Lamp Mounted Block Screw
37	WF022	Water Fitting Reducer " O.D.
38	H79	Stainless Steel Spilt Washer
39	YR479	YAG Rod, 4 mm Dia, Unmounted, Multimode
40	YRA812	YAG Rod Asembly, Mounted, Multimode
41	LL708S	Krypton Arc Lamp, 20 Amps
42	RG812	Rod Guide, Long

**FREQUENTLY USED CONSUMABLES**

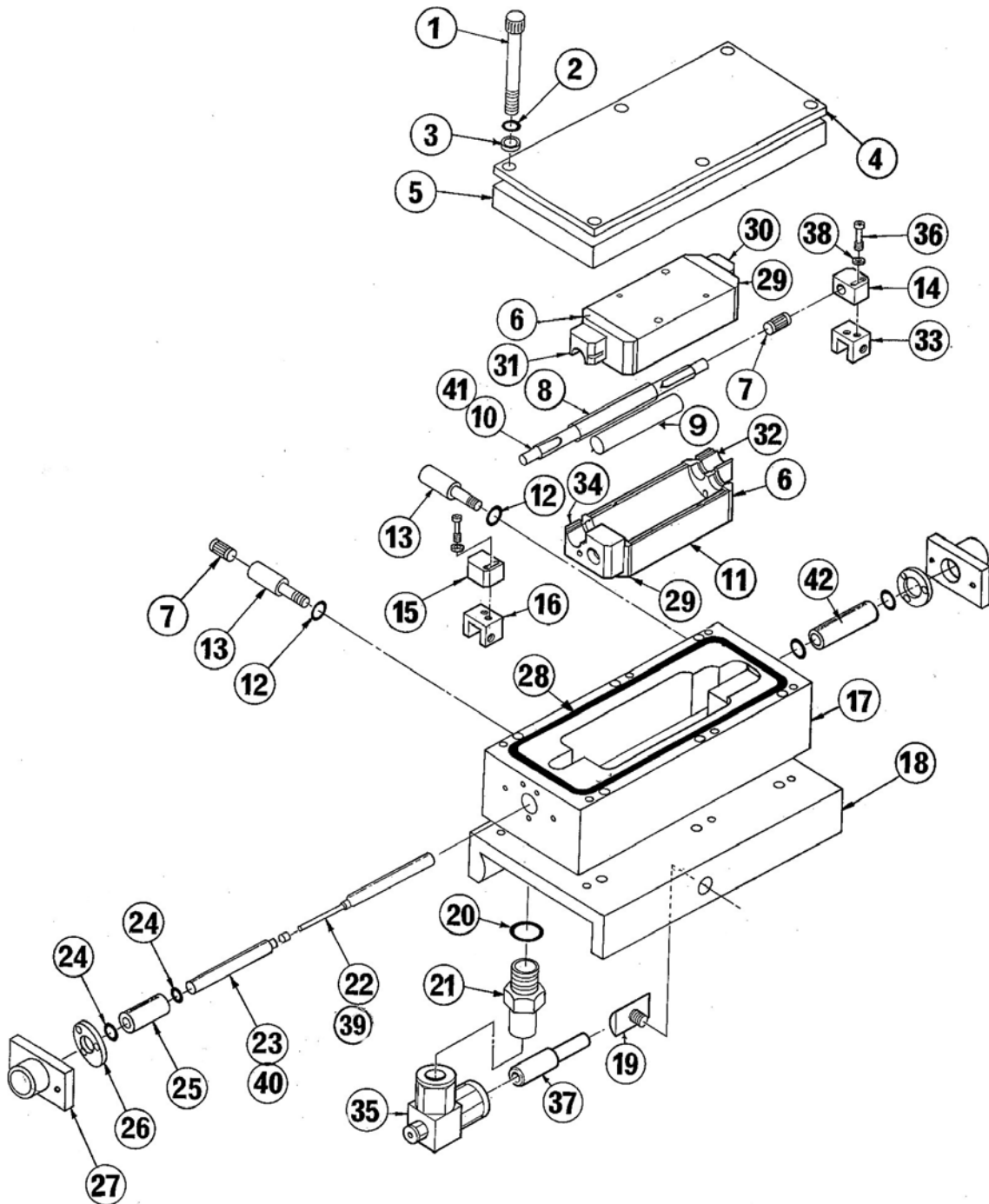
REFERENCE	ITEM	PART NUMBER
1	Lamp, 20 Amp	LL708S
2	Lamp, 30 Amp	LL4462S
3	Lamp Flow Tube	LFT708

# LAMP PUMPED LASER HEADS

High performance and reliability

## Part No: CHBA808/C, CHBA812/C

REFERENCE	ITEM	PART NUMBER
4	Rod Flow Tube	RFT708
5	Front Mirror 90% R	MR3M90RHC
6	Rear Mirror HR	MR3M100RHC
7	DI Cartridge	D8832



# LAMP PUMPED LASER HEADS

High performance and reliability



**Part No: CHBA815/C, CHBA818/C**

**LASER SYSTEMS:** Lee Laser Model 815; 818; 825; 825S; 825ST; General Scanning Hi-mark 400, HM800; HM6000

**DESCRIPTION:** Single-Lamp Pumped Solid-State Laser Chamber used for precision marking & engraving applications.

## ASSEMBLIES:

REFERENCE	PART NUMBER	DESCRIPTION
1	ORK818	O-Ring Kit
2	GC818	Gold Cavity Assembly, Complete (Less Teflon Light Shields)
3	GCA818	Gold Cavity Assembly, Complete (Includes Teflon Light Shields)
4	BA818	Head Block Assembly (Less Cavity, YAG Rod, Lamp & Carriage)
5	HBA818	Head Block Assembly (Less YAG Rod, Lamp & Carriage)
6	CHBA818	Head Block Assembly, Complete (Less Carriage), TEM <sub>00</sub>
7	CHBA818/C	Complete Head Block Assembly, TEM <sub>00</sub>
8	CHBA815	Head Block Assembly, Complete (Less Carriage), Multimode
9	CHBA815/C	Complete Head Block Assembly, Multimode

# Part No: CHBA815/C, CHBA818/C

## LASER HEAD COMPONENTS:

REFERENCE	PART NUMBER	DESCRIPTION
1	HB708	Head Bolt, Stainless Steel
2	H2	Stainless Steel Washer
3	H4	Nylon Washer
4	FIN818	Heat Sink, Aluminium
5	UHB818	Upper Head Block
6	CEP818L	Cavity End Plate Left, Gold Plated
7	LC708	Lamp Contact Band, Gold
8	LFT718	Lamp Flow Tube
9	RFT818	Rod Flow Tube, Doped
10	LL9300	Krypton Arc Lamp, 30 Amps
11	GCE718	Cavity Ellipse, Gold Plated
12	ORK818	O-Ring (Included in Kit)
13	HVP818	High Voltage Pin
14	LCB818R	Lamp Contact Block, Right
15	LCB818L	Lamp Contact Block, Left
16	LTB818L	Lamp Terminal Block, Left
17	LHB818	Lower Head Block
18	LHC818	Lower Head Carriage
19	CLA500	Carriage Locking Assembly
20	ORK818	O-Ring (Included in Kit)
21	WFO49	Water Fitting 5/8" O.D., Stainless Steel
22	YR718	YAG Rod, 4 mm Dia, Unmounted, TEM <sub>00</sub>
23	YRA818	YAG Rod Assembly, Mounted, TEM <sub>00</sub>
24	ORK818	O-Ring (Included in Kit)
25	RG818	Rod Guide
26	REC818	Rod End Cap
27	DB718	Dust Boot
28	ORK818	O-Ring (Included in Kit)
29	CEP818R	Cavity End Plate, Gold, Right, Gold Plated
30	LS708U	Teflon Light Shield, Upper
31	TLS718U	Teflon Light Shield, Upper
32	LS708L	Teflon Light Shield, Lower
33	LTB818R	Lamp Terminal Block, Right
34	TLS718L	Teflon Light Shield, Lower
35	WF016	Elbow Fitting 5/8" Nylon, Q-Switch
36	LMBS555	Lamp Mounting Block Screw
37	WF022	Water Fitting Reducer, " O.D.
38	H79	Stainless Steel Spilt Washer
39	YR715	YAG Rod, 4 mm Dia, Unmounted, Multimode
40	YRA815	YAG Rod Assembly, Mounted, Multimode

## FREQUENTLY USED CONSUMABLES:

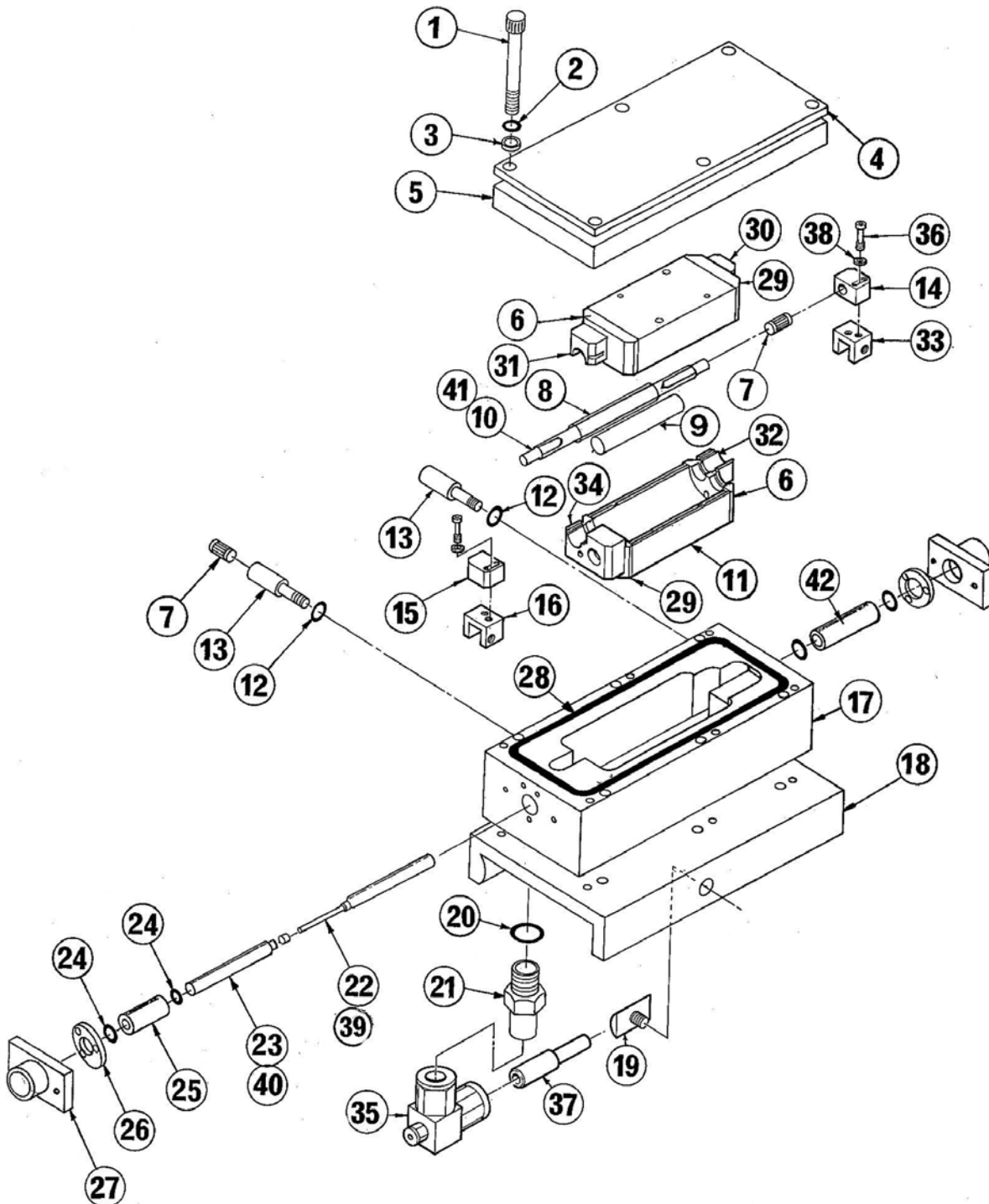
REFERENCE	ITEM	PART NUMBER
1	Front Mirror 80%	MR3M80RHC
2	Rear Mirror HR	MR3M100RHC
3	DI Cartridge	D700

Other consumables upon request.

# LAMP PUMPED LASER HEADS

High performance and reliability

Part No: CHBA815/C, CHBA818/C



Intelligent Solutions, Manufacturing & Development

# LAMP PUMPED LASER HEADS

High performance and reliability



## Part No: CHBA854/C

**LASER SYSTEMS:** LASER S.O.S. 854, Quantum Laser Maximark, Lasit Fleximark, Easymark, SEI 80 W

**DESCRIPTION:** Single Flash-Lamp Pumped Solid-State Laser Chamber used for precision marking and engraving

### ASSEMBLIES:

REFERENCE	PART NUMBER	DESCRIPTION
1	ORK804	O-Ring Kit, 4mm Rod
2	GC530	Gold Cavity Assembly, Complete
3	BA854	Head Block Assembly (Less Cavity, YAG Rod, Lamp & Carriage)
4	HBA854	Head Block Assembly (Less YAG Rod, Lamp & Carriage)
5	CHBA854	Head Block Assembly (Less Carriage)
6	CHBA854/C	Complete Head Block Assembly

Note: This laser head has been superseded by CHBA9754 Series.

## Part No: CHBA854/C

### LASER HEAD COMPONENTS:

REFERENCE	PART NUMBER	DESCRIPTION
1	HB530	Head Bolt, Stainless Steel
2	HBW510	Head Bolt Washer, Nylon
3	GCE530	Cavity Ellipse, Gold Plated
4	RFT530	Rod Flow Tube
5	LFT630	Lamp Flow Tube
6	LL218S	Krypton arc Lamp, 30 Amps
8	CEP530L	Cavity End Plate, Left, Gold Plated
9	TLSKIT5300	Teflon Light Shield Kit
11	CLA500	Carriage Locking Assembly
12	ORK804	O-Ring, Silicone (Included in Kit)
13	YR4105	YAG Rod, Crystal Only, 4 mm Rod
14	YRA4105	YAG Rod Assembly, Mounted, 4 mm Rod
15	RG800	Rod Guide
16	WF041	Water Fitting, 12.7 mm, Stainless Steel
17	REC510	Rod End Cap
18	DB510	Dust Boot
19	WF021	Elbow Water Fitting, 1/2" for Q-Switch
20	WF012	Water Fitting 3/4" – 16 × 1/2"
21	LHB850	Lower Head Block
22	HVP258	High Voltage Pin
23	LVB5000	Lamp V-Block
24	LCA500	Lamp Clamp Assembly
25	CEP530R	Cavity End Plate, Right
26	UHB850	Upper Head Block
27	FIN800	Head Sink, Aluminium
29	CC5000	Cable Cap
30	LHC800	Head Carriage
34	ORT4MM	O-Ring, Teflon, 4 mm Rod

### FREQUENTLY USED CONSUMABLES:

REFERENCE	ITEM	PART NUMBER
1	Lamp, 30 Amp	LL218S
2	Lamp Flow Tube	LFT630
3	Rod Flow Tube	RFT530
4	Front Mirror 80% R	MR3M80RHC
5	Rear Mirror HR	MR3M100RHC
6	Lamp V-Block	LVB5000

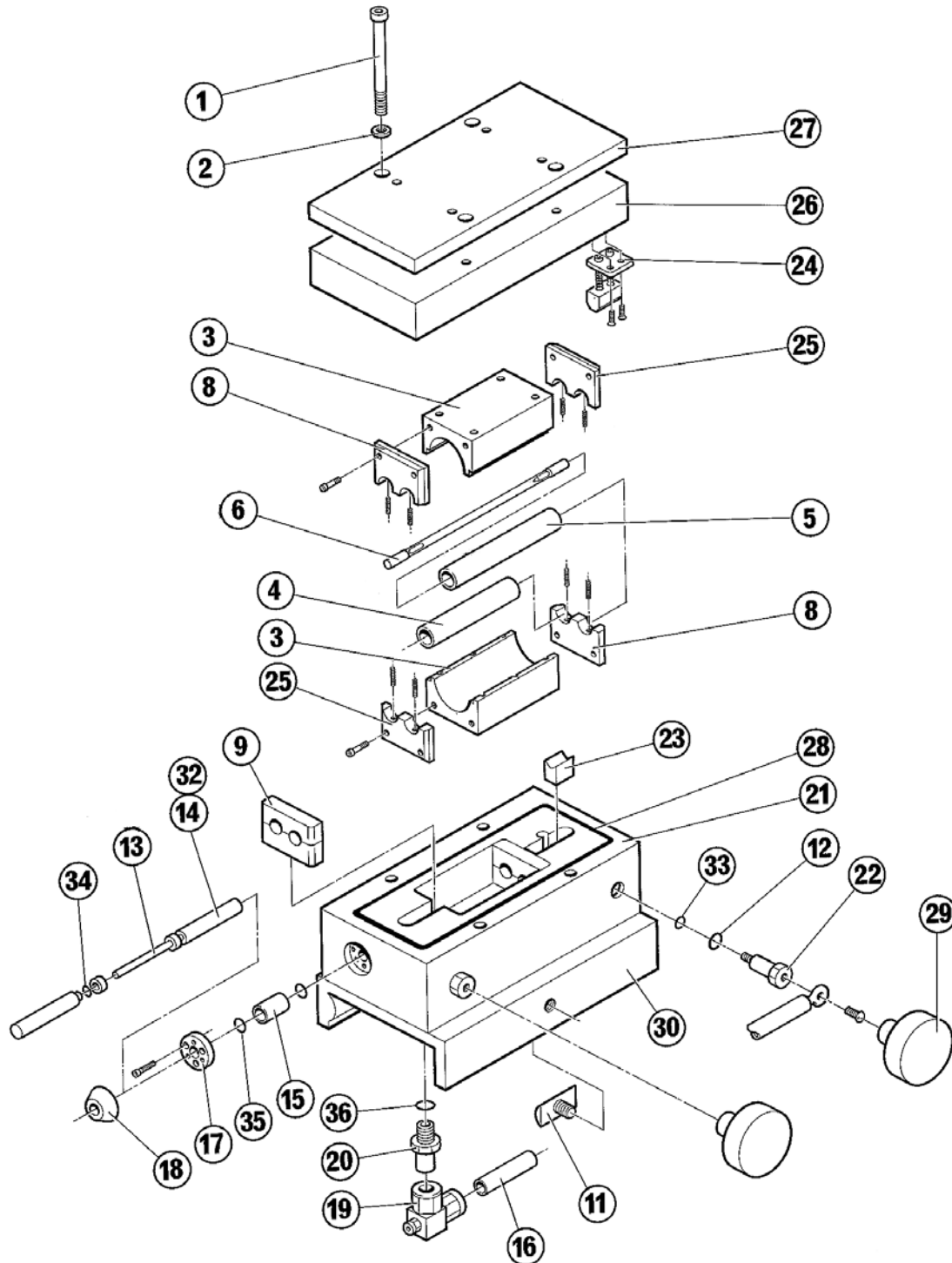
Other consumables upon request.



# LAMP PUMPED LASER HEADS

High performance and reliability

Part No: CHBA854/C



# LAMP PUMPED LASER HEADS

High performance and reliability



**Part No: CHBA1200/C**

**LASER SYSTEMS:** T.L.T. 1200, 1400 – 15 Watts TEM<sub>00</sub>

**DESCRIPTION:** Single-Lamp Pumped Solid-State Laser Chamber used for processing diamonds

## ASSEMBLIES:

REFERENCE	PART NUMBER	DESCRIPTION
1	ORK512	O-Ring Kit
2	GC512	Gold Cavity Assembly, Complete
3	BA512	Head Block Assembly (Less Cavity, YAG Rod, Lamp & Carriage)
4	HBA512	Head Block Assembly (Less YAG Rod, Lamp & Carriage)
5	CHBA1200	Head Block Assembly, Complete, TEM <sub>00</sub> (Less Carriage)
6	CHBA1200/C	Complete Head Block Assembly, TEM <sub>00</sub>

# Part No: CHBAI200/C

## LASER HEAD COMPONENTS:

REFERENCE	PART NUMBER	DESCRIPTION
1	HBW510	Head Bolt Washer, Nylon
2	HB510	Head Bolt, Stainless Steel
3	FIN512	Heat Sink, Aluminium
4	UHB512	Upper Head Block
5	LFT512	Lamp and Rod Flow Tube
6	CLA500	Carriage Locking Assembly
7	LC510	Lamp Clip, Gold Plated
8	LTB510	Lamp Terminal Block
9	ORK512	O-Ring, Silicone (Included in Kit)
10	LHB512	Lower Head Block
11	LHC512	Head Carriage
12	WF016	Water Fitting, Head Block & Q-Switch
13	ORK512	O-Ring, Silicone (Included in Kit)
14	WF013	Water Fitting, 3/4 – 1/6 × 5/8” Stainless Steel
15	YR512	YAG Rod, 4 mm Dia, Unmounted, TEM <sub>00</sub>
16	SNY632	Nylon Screw, 6–32 × 1/4”
17	HVP510	High Voltage Pin
18	HVI510	High Voltage Insulator (2 pces)
19	ORK512	O-Ring, Silicone (Included in Kit)
20	RFT512C	Rod Flow Tube, Doped
21	RG510	Rod Guide
22	REC510	Rod End Cap
23	ORK512	O-Ring, Silicone (Included in Kit)
24	DB510	Dust Boot
25	YRA512	YAG Rod Assembly, Mounted, TEM <sub>00</sub>
26	LSP510	Lower Light Shield, Stainless Steel
27	LL601S	Krypton Arc Lamp (20 Amps 145–155 V)
28	USP510	Upper Light Shield, Stainless Steel
29	CEP510	Cavity End Plate, Gold Plated
30	GCE512	Cavity Ellipse, Gold Plated

## FREQUENTLY USED CONSUMABLES:

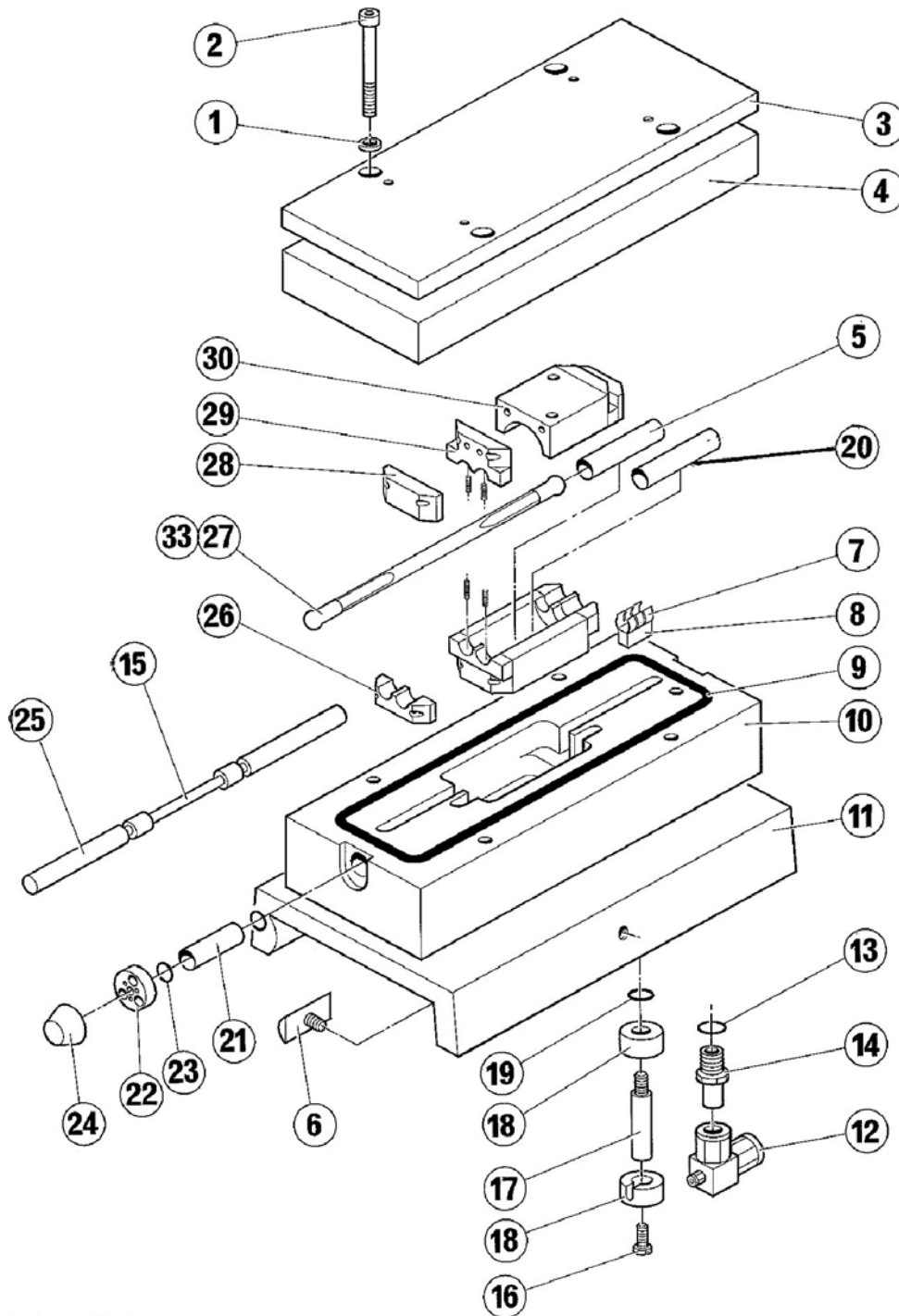
REFERENCE	ITEM	PART NUMBER
1	Lamp, 30 Amp	LL601S
2	Lamp 30 Amp Long Life	LL601LL
3	Lamp Flow Tube	LFT512
4	Rod Flow Tube, Doped	RFT512C
5	Lamp Clip, Gold	LC510
6	Front Mirror, 80% R	MR3M80RHC
7	Rear Mirror, HR	MR3M100RHC

Other consumables upon request.

# LAMP PUMPED LASER HEADS

High performance and reliability

## CHBA I 200/C



Intelligent Solutions, Manufacturing & Development

# LAMP PUMPED LASER HEADS

High performance and reliability



## Part No: CHBA3114, CHBA4114

**LASER SYSTEMS:** Quantronix 114, 602, 603; Teradyne M118; Laser Identification Systems WaferMark I; Fox Labs

**DESCRIPTION:** High Stability Single-Lamp Pumped Solid-State Laser Chamber used for precision marking & engraving in the Microelectronics & Semiconductor applications.

### ASSEMBLIES:

REFERENCE	PART NUMBER	DESCRIPTION
1	ORK3114	O-Ring Kit for 3 mm YAG Rod
2	GCA114	Gold Cavity Assembly, Complete
3	BA114	Head Block Assembly (Less Cavity Reflector, YAG Rod & Lamp Assemblies)
4	HBA114	Head Block Assembly (Less YAG Rod & Lamp Assemblies)
5	CHBA4114	Complete Head Block Assembly (Includes 4 mm Rod)
6	ORK4114	O-Ring Kit for 4 mm YAG Rod
7	CHBA3114	Complete Head Block Assembly (Includes 3 mm Rod)
8	RFTA3114	YAG Rod Assembly complete, Less 3 mm Rod
9	RFTA4114	YAG Rod Assembly complete, Less 4 mm Rod

## Part No: CHBA3114, CHBA4114

### LASER HEAD COMPONENTS:

REFERENCE	PART NUMBER	DESCRIPTION
1	CHI14T	Cavity Reflector Holder, Top
2	CHI14B	Cavity Reflector Holder, Bottom
3	GCE114	Gold Cavity Reflector
4	CMI14	Coolant Manifold Required for Water Fittings
5	CEP114	Cavity End Plate
6	WIB114	Water Inlet Block
7	LSI14	Light Shield Sleeve
8	ORK3114	O-Ring, Silicone (Included in Kit)
9	LHB116	Lower Head Block
11	CPP114	Crystal Pressure Plate, Front
12	LPP114	Lamp Pressure Plate, Front
14	LEP114	Lamp End Plate
16	UHB116	Upper Head Block
17	WF033	Water Fitting for Coolant Manifold CMI14
19	YR369CC	YAG Rod, 3 mm, Unmounted, TEM <sub>00</sub> , Radius Ends
19a	YR469	YAG Rod, 4 mm, Unmounted
21	YRA1143	YAG Rod Assembly, Complete, 3 mm Rod, TEM <sub>00</sub>
21a	YRA1144	YAG Rod Assembly, Complete, 4 mm Rod
23	RFT114	Rod Flow Tube
24	YRH1143	YAG Rod Holder, 3 mm
24a	YRH1144	YAG Rod Holder, 4 mm
27	PR114	Pressure Ring
28	RR114	Retaining Ring
29	CNI14	Crystal Nut
30	ORK3114	O-Ring Silicone, 3 mm
32	PT1143	Pressure Tube, 3 mm Rod
32a	PT1144	Pressure Tube, 4 mm Rod
34	LFT116	Lamp Flow Tube
35	LFT116CE	Lamp Flow Tube, Cerium Doped Quartz
36	LL114LLS	Laser Lamp, 600Hrs
38	PWI49	Pressure Washer
39	CSA114	Cathode Socket Assembly
40	ASA116	Anode Socket Assembly
41	ORN804	O-Ring, Nitrile (10 PCES/PKT)
42	THR150	Threaded Retainer

### FREQUENTLY USED CONSUMABLES:

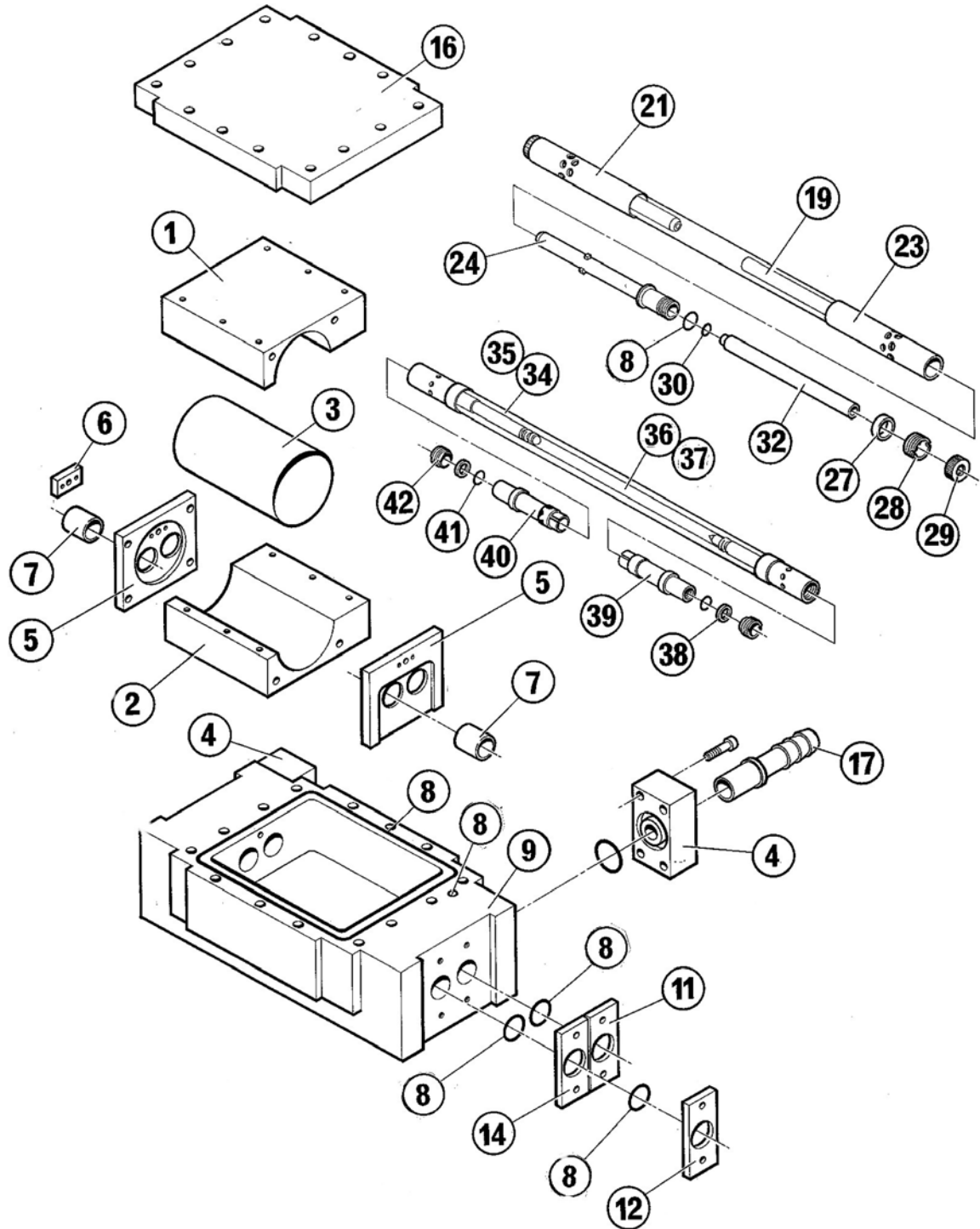
REFERENCE	ITEM	PART NUMBER
1	LFT116	Lamp Flow Tube, Pyrex
2	LFT116CE	Lamp Flow Tube, Ce doped quartz
3	CSA114	Cathode Socket Assembly
4	ASA116	Anode Socket Assembly
5	LL114	Laser Lamp
6	D8811	DI Cartridge
7	PF30	Particle Filter

Other consumables upon request.

# LAMP PUMPED LASER HEADS

High performance and reliability

Part No: CHBA3114, CHBA4114



# LAMP PUMPED LASER HEADS

High performance and reliability



**Part No: CHBA3116**

**LASER SYSTEMS:** Quantronix 116, 604, 416; Teradyne W419, W421, W429, W614, M118; Laser Identification System WaferMark II, 345, Softmark, LightWriter

**DESCRIPTION:** High Stability Single-Lamp Pumped Solid-State Laser Chamber used for precision marking, engraving and trimming applications in the semiconductor and microelectronics Industry.

## ASSEMBLIES:

REFERENCE	PART NUMBER	DESCRIPTION
1	ORK3116	O-Ring Kit for 3 mm Rod
2	GCA116	Gold Cavity Assembly, Complete
3	BA114	Head Block Assembly (Less Cavity, YAG Rod and Lamp Assembly)
4	HBA116	Head Block Assembly (Less YAG Rod and Lamp Assembly)
5	CHBA3116	Head Block Assembly, Complete, (Includes 3 mm Rod)



# Part No: CHBA3116

## LASER HEAD COMPONENTS:

REFERENCE	PART NUMBER	DESCRIPTION
1	CHI16T	Cavity Reflector Holder, Top
2	CHI16B	Cavity Reflector Holder, Bottom
3	GCE116	Gold Cavity Reflector
4	CM114	Coolant Manifold Required for Water Fittings
5	CEP114	Cavity End Plate
6	WIB116	Water Inlet Block
7	LS116	Light Shield Sleeve
8	ORK3116	O-Ring, Silicone (Included in Kit)
9	LHB116	Lower Head Block
11	CPP114	Crystal Pressure Plate, Front
12	LPP114	Lamp Pressure Plate, Front
14	LEP114	Lamp End Plate
16	UHB116	Upper Head Block
17	WF033	Water Fitting for Coolant Manifold CM114
19	YR379CC	YAG Rod, 3 mm x 79 mm, Radius Ends, TEM <sub>00</sub>
21	YRA1163	YAG Rod Assembly Complete, 3 mm, TEM <sub>00</sub>
23	RFT116ENH	Rod Flow Tube
24	YRH1163	YAG Rod Holder, 3 mm Rod
27	PR116	Pressure Ring
28	RR116	Retaining Ring
29	CN116	Crystal Nut
30	ORK3116	O-Ring, Silicone, 3 mm
32	PT1163	Pressure Tube, 3 mm
34	LFT116	Lamp Flow Tube, Pyrex
35	LFT116CE	Lamp Flow Tube, Cerium Doped Quartz
36	LL116LL	Laser Lamp, 400 Hrs
37	LL116LLS	Laser Lamp, 600 Hrs
38	PW149	Pressure Washer
39	CSA116	Cathode Socket Assembly
40	ASA116	Anode Socket Assembly
41	ORN804	O-Ring, Nirtile (10 PCES/PKT)
42	THR150	Threaded Retainer

## FREQUENTLY USED CONSUMABLES:

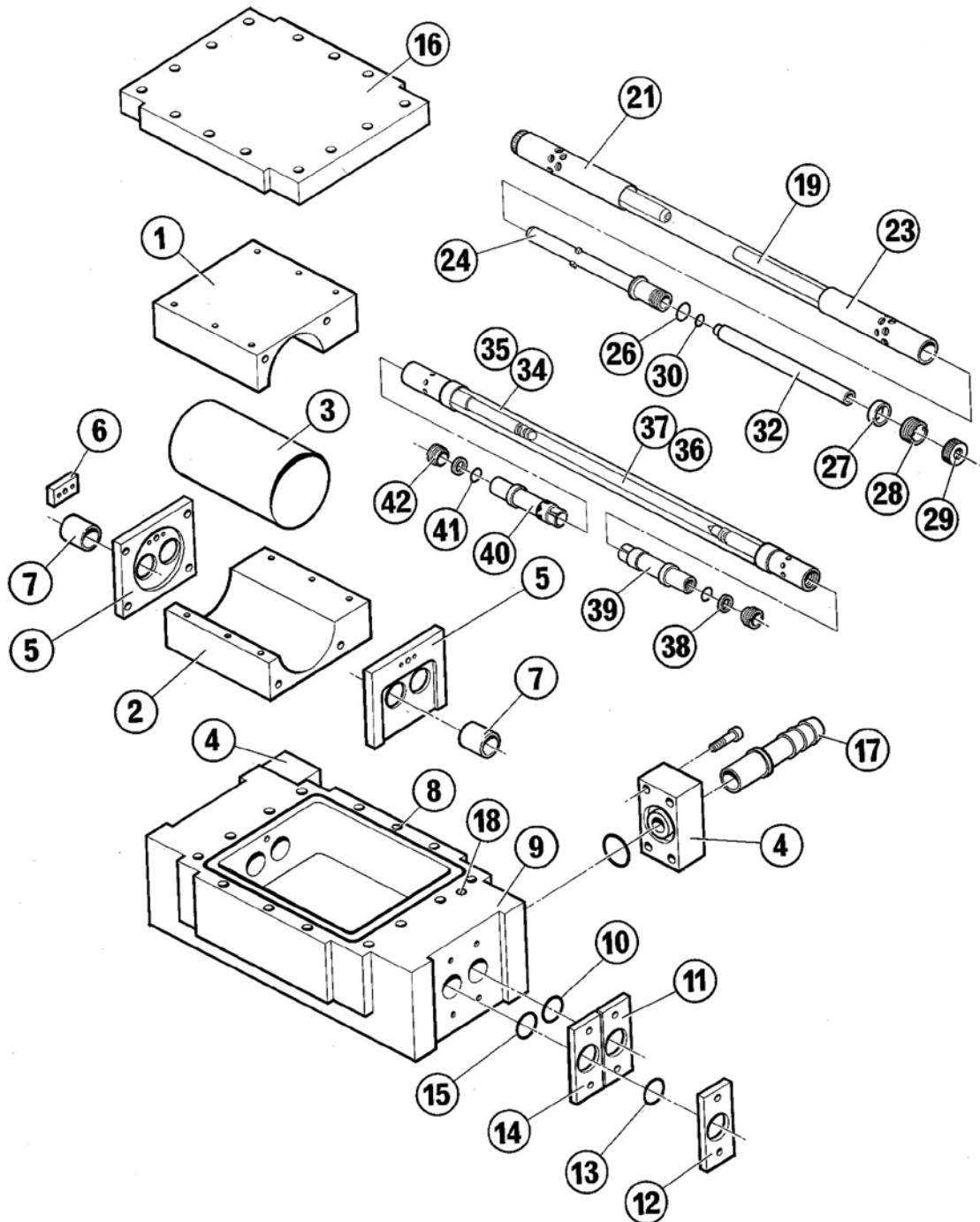
REFERENCE	ITEM	PART NUMBER
1	LFT116	Lamp Flow Tube, Pyrex
2	LFT116CE	Lamp Flow Tube, Ce doped Quartz
3	ASA116 & CSA116	Anode and Cathode Socket Assembly
4	LL116LL	Laser Lamp, 400 Hrs
5	LL116LLS	Laser lamp, 600 Hrs
6	D8822	DI Cartridge
7	PF30	Particle Filter

Other consumables upon request.

# LAMP PUMPED LASER HEADS

High performance and reliability

## Part No: CHBA3116



Intelligent Solutions, Manufacturing & Development

# LAMP PUMPED LASER HEADS

High performance and reliability



## Part No: CHBA3117

**LASER SYSTEMS:** Quantronix 117, 117E; Excalibur XLS572; Orziv 2001; TLT 2400; Configured for 18 Watts TEM<sub>00</sub> mode.

**DESCRIPTION:** Single-Lamp Pumped Solid-State Laser Chamber used for precision material processing applications such as diamond sawing, cutting, bruting, shaping, kerfing and marking

### ASSEMBLIES:

REFERENCE	PART NUMBER	DESCRIPTION
1	ORK3117	O-Ring Kit for 3 mm Rod
2	GCA117	Gold Cavity Assembly, Complete
3	BA117	Head Block Assembly (Less Cavity Reflector, YAG Rod & Lamp Assembly)
4	HBA117E	Head Block Assembly (Less YAG Rod & Lamp Assembly)
5	CHBA3117E	Complete Head Block Assembly (Includes 3 mm Rod)

### NEW UP-GRADE ASSEMBLIES:

1	YRA1173ENHA	YAG Rod Assembly Complete, Fitted with new hardware yielding Low Noise and Enhanced Performance, 3 mm × 108 mm YAG Rod
2	RFTA1173ENHA	YAG Rod Assembly Complete, Less 3 mm YAG Rod

## Part No: CHBA3117

### LASER HEAD COMPONENTS:

REFERENCE	PART NUMBER	DESCRIPTION
1	CHI17T	Cavity Reflector, Top
2	CHI17B	Cavity Reflector, Bottom
3	GCEI17	Gold Cavity Reflector
4	CM114	Coolant Manifold Required for Water Fittings
5	CEP114	Cavity End Plate
6	WIB117	Water Inlet Block
7	LS117	Light Shield Sleeve
8	SEE KIT	O-Ring, Silicone (Included in Kit)
9	LHB117	Lower Head Block
11	CPP114	Crystal Pressure Plate, Front
12	LPP114	Lamp Pressure Plate, Front
14	LEP114	Lamp End Plate
16	UHB117	Upper Head Block
17	WF033	Water Fitting for Coolant Manifold CM114
19	YR1173A	YAG Rod, 3 mm, Unmounted, TEM <sub>00</sub>
21	YRA1173ENHA	YAG Rod Assembly Complete, 3 mm Rod, TEM <sub>00</sub> , Enhanced, Low Noise
23	RFT117ENHA	Rod Flow Tube
24	YRHI173ENHA	YAG Rod Holder, 3 mm Rod
27	PR116	Pressure Ring
28	RR116	Retaining Ring
29	CNI17	Crystal Nut
30	ORS3MM	O-Ring Silicone, 3 mm
32	PT1173ENHA	Pressure Tube, 3 mm
34	LFT117	Lamp Flow Tube, Pyrex
35	LFT117CE	Lamp Flow Tube, Cerium Doped Quartz
36	LL117LL	Laser Lamp, 400 Hrs
37	LL117LLS	Laser Lamp, 600 Hrs
38	PWI49	Pressure Washer
39	CSA116	Cathode Socket Assembly
40	ASA116	Anode Socket Assembly
41	ORN804	O-Ring Nitrile (10PCES/PKT)
42	THR150	Threaded Retainer

### FREQUENTLY USED CONSUMABLES:

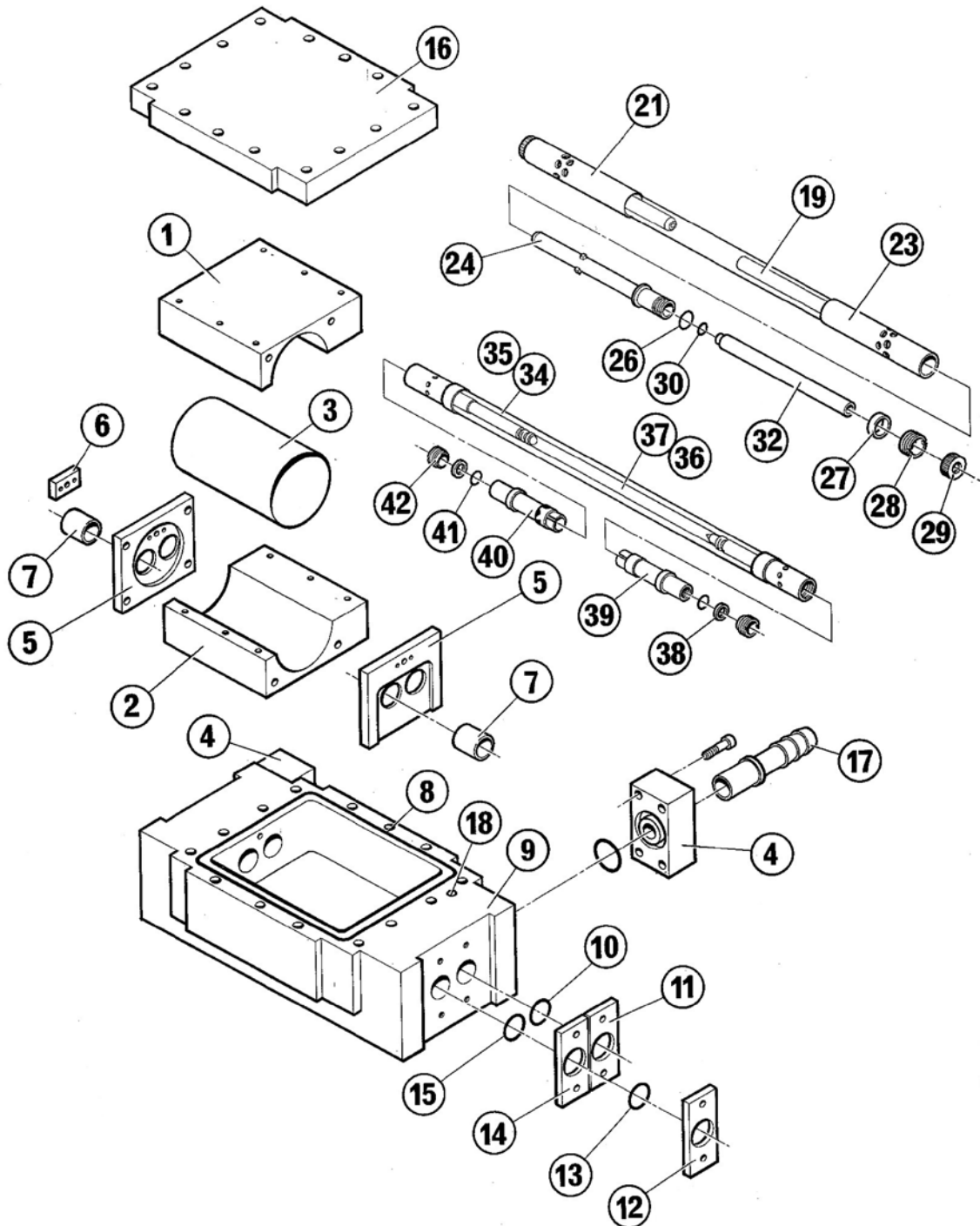
REFERENCE	ITEM	PART NUMBER
1	LFT117	Lamp Flow Tube, Pyrex
2	LFT117CE	Lamp Flow Tube, Ce doped quartz
3	ASA116	Anode Socket Assembly
4	CSA116	Cathode Socket Assembly
5	LL117LL	Laser Lamp, 400 Hrs
6	LL117LLS	Laser Lamp, 600 Hrs
7	MR2M80RHC, 80%	Front Mirror
8	MR2M100RHC, HR	Rear Mirror
9	D8822	DI Cartridge
10	PF30	Particle Filter

Other consumables upon request.

# LAMP PUMPED LASER HEADS

High performance and reliability

Part No: CHBA3117



# LAMP PUMPED LASER HEADS

High performance and reliability



**Part No: CHBA3117E**

**LASER SYSTEMS:** Bentzy Laser Systems

**DESCRIPTION:** Single-Lamp Pumped Solid-State Laser Chamber used for diamond processing.

**ASSEMBLIES:**

REFERENCE	ITEM	PART NUMBER
1	ORK3117	O-Ring Kit for 3 mm Rod
2	GCA117	Gold Cavity Assembly, Complete
3	BA117	Head Block Assembly (Less Cavity Reflector, YAG Rod & Lamp Assembly)
4	HBA117E	Head Block Assembly (Less YAG Rod & Lamp Assembly)
5	CHBA3117E	Complete Head Block Assembly (Includes 3 mm Rod)

# Part No: CHBA3117E

## LASER HEAD COMPONENTS:

REFERENCE	PART NUMBER	DESCRIPTION
1	CHI17T	Cavity Reflector, Top
2	CHI17B	Cavity Reflector, Bottom
3	GCE117	Gold Cavity Reflector
4	CMI14	Coolant Manifold Required for Water Fittings
5	CEP114	Cavity End Plate
6	WIB117	Water Inlet Block
7	LSI17	Light Shield Sleeve
8	SEE KIT	O-Ring, Silicone (Included in Kit)
9	LHB117	Lower Head Block
11	CPP114	Crystal Pressure Plate, Front
12	LPP114	Lamp Pressure Plate, Front
14	LEP114	Lamp End Plate
16	UHB117	Upper Head Block
17	LHC5117	Lower Head Carriage
18	ORK3117	O-Ring, Silicone (Included in Kit)
19	YRI173A	YAG Rod, 3 mm, Unmounted, TEM <sub>00</sub>
21	YRA1173ENHA	YAG Rod Assembly Complete, 3 mm Rod, TEM <sub>00</sub> , Enhanced, Low Noise
23	RFT117ENHA	Rod Flow Tube, Low Noise
24	YRHI173ENHA	YAG Rod Holder, 3 mm Rod
27	PRI16	Pressure Ring
28	RRI16	Retaining Ring
29	CNI17A	Crystal Nut
30	ORS3MM	O-Ring Silicone, 3 mm
32	PTI173ENHA	Pressure Tube, 3 mm
34	LFT117	Lamp Flow Tube, Pyrex
35	LFT117CE	Lamp Flow Tube, Cerium Doped Quartz
36	LLI17LL	Laser Lamp, Long Life 400 Hrs
37	LLI17LLS	Laser Lamp, Extra Long Life 600 Hrs
38	PWI49	Pressure Washer
39	CSA114	Cathode Socket Assembly
40	CSA116	Cathode Socket Assembly
41	ORN804	O-Ring Nitrile (10PCES/PKT)
42	THR150	Threaded Retainer
44	CLA500	Carriage Locking Assembly

## FREQUENTLY USED CONSUMABLES:

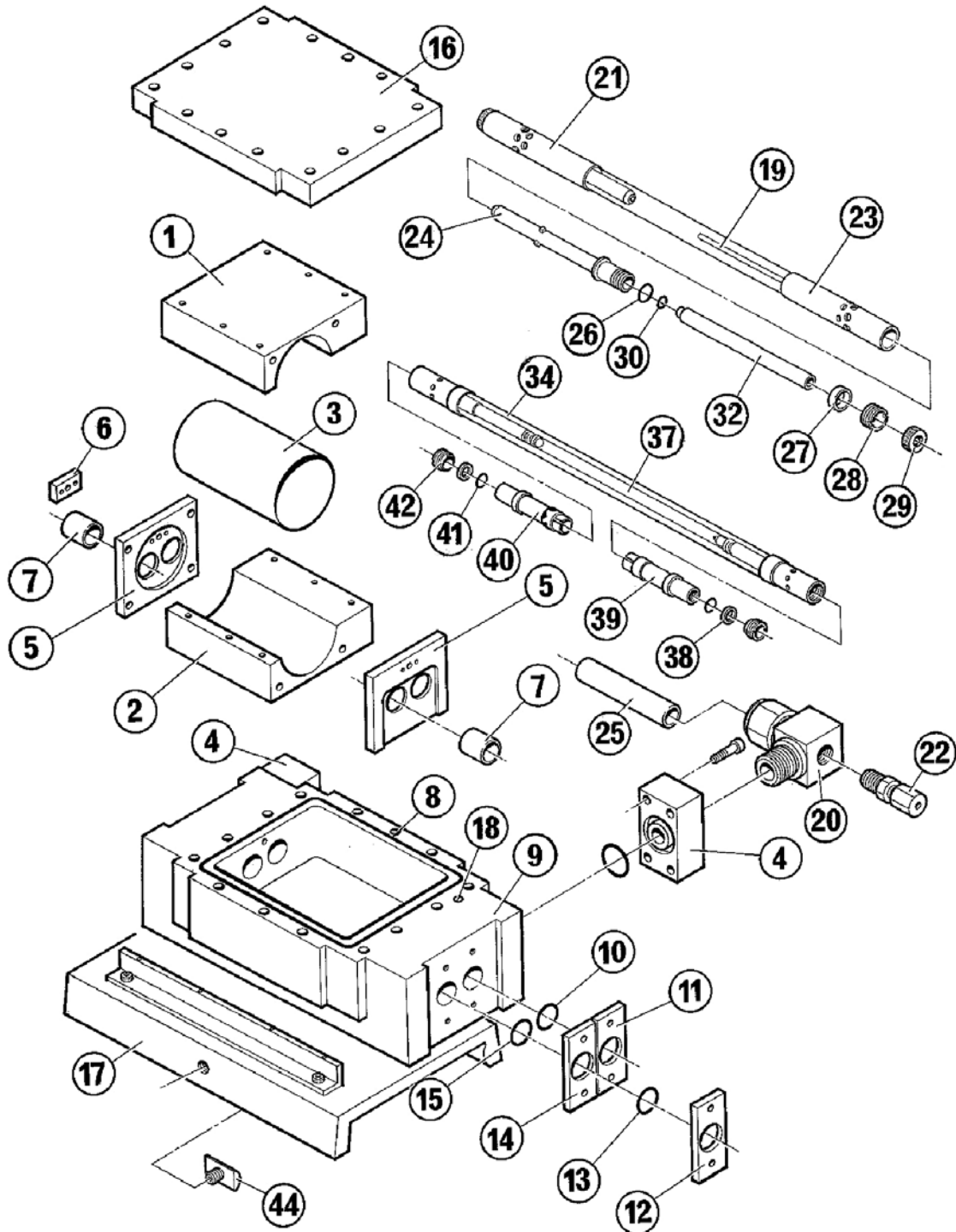
REFERENCE	ITEM	PART NUMBER
1	Lamp	LL749
2	Lamp Flow Tube, Doped	LFT117CE
3	Rod Flow Tube	RFT117ENHA
4	Cathode Socket Assembly	CSA114 & CSA116
5	Front Mirror 80% R	MR3M80RHC
6	Rear Mirror HR	MR3M100RHC
7	DI Cartridge	D150
8	Particle Filter	PF75

Other consumables upon request.

# LAMP PUMPED LASER HEADS

High performance and reliability

## Part No: CHBA3117E



Intelligent Solutions, Manufacturing & Development



# LAMP PUMPED LASER HEADS

High performance and reliability



## Part No: CHBA3540/C

**LASER SYSTEMS:** LASER S.O.S. SOSI20WQSS380, 120–135 Watt

**DESCRIPTION:** Single-Lamp Pumped Solid-State Laser Chamber used for precision marking & engraving applications.

### ASSEMBLIES:

REFERENCE	PART NUMBER	DESCRIPTION
1	ORK350	O-Ring Kit 4mm Rod
2	CCA354	Ceramic Cavity Assembly, Complete
3	BA350	Head Block Assembly (Less Cavity, YAG Rod, Lamp & Carriage)
4	HBA3540	Head Block Assembly (Less YAG Rod, Lamp & Carriage)
5	CHBA3540	Head Block Assembly (Less Carriage), 4mm Rod Average Power = 120W
	CHBA3540/C	Complete Head Block Assembly, 4mm Rod Average Power = 120W

**Part No: CHBA3540/C**

**LASER HEAD COMPONENTS:**

REFERENCE	PART NUMBER	DESCRIPTION
1	HB300	Head Bolt, Stainless Steel
2	FIN350	Heat Sink, Aluminium
3	UHB350	Upper Head Block
4	CEP300T	Cavity End Plate, Teflon
5	CCE354	Cavity Ellipse, Ceramic
6	FT450	Flow Tube, Rod
7	FT450	Flow Tube, Lamp
8	LL9300	Laser Lamp, 30A
10	YRH334	YAG Rod Holder, 4mm Rod
11	LC708	Lamp Contact Band, Gold Plated
12	LCB300	Lamp Contact Block, Less Gold Lamp Band
12A	LCBA300	Lamp Contact Block Assembly, Including Gold Lamp Band
13	LTB300	Lamp Terminal Block
14	YRA350MM	YAG Rod Assembly, 4 x 108mm Rod, Multi Mode
15	ORT468	O-Ring, Teflon, 4mm Rod
16	REC300	Rod End Cap
17	RG300	Rod Guide
18	DB300	Dust Boot
19	ORK354	O-Ring, Silicone (Included in Kit)
20	ORK354	O-Ring, Silicone (Included in Kit)
21	LHB350	Lower Head Block
22	LHC350	Lower Head Carriage
23	HVP570	High Voltage pin
24	WF012	Water Fittings " - 16 x "
25	WF021/2	Elbow Water Fitting, " for Q-Switch
26	HOSETAIL1/2	Hosetail " Barbed
27	CLA500	Carriage Locking Assembly
28	HVC800	High Voltage Cap
29	YR715	YAG Rod, 4 x 108mm, Multi Mode, Unmounted
30	CEP300	Cavity End Plate, Gold
31	CSP300	Ceramic Support Plate

**FREQUENTLY USED CONSUMABLES:**

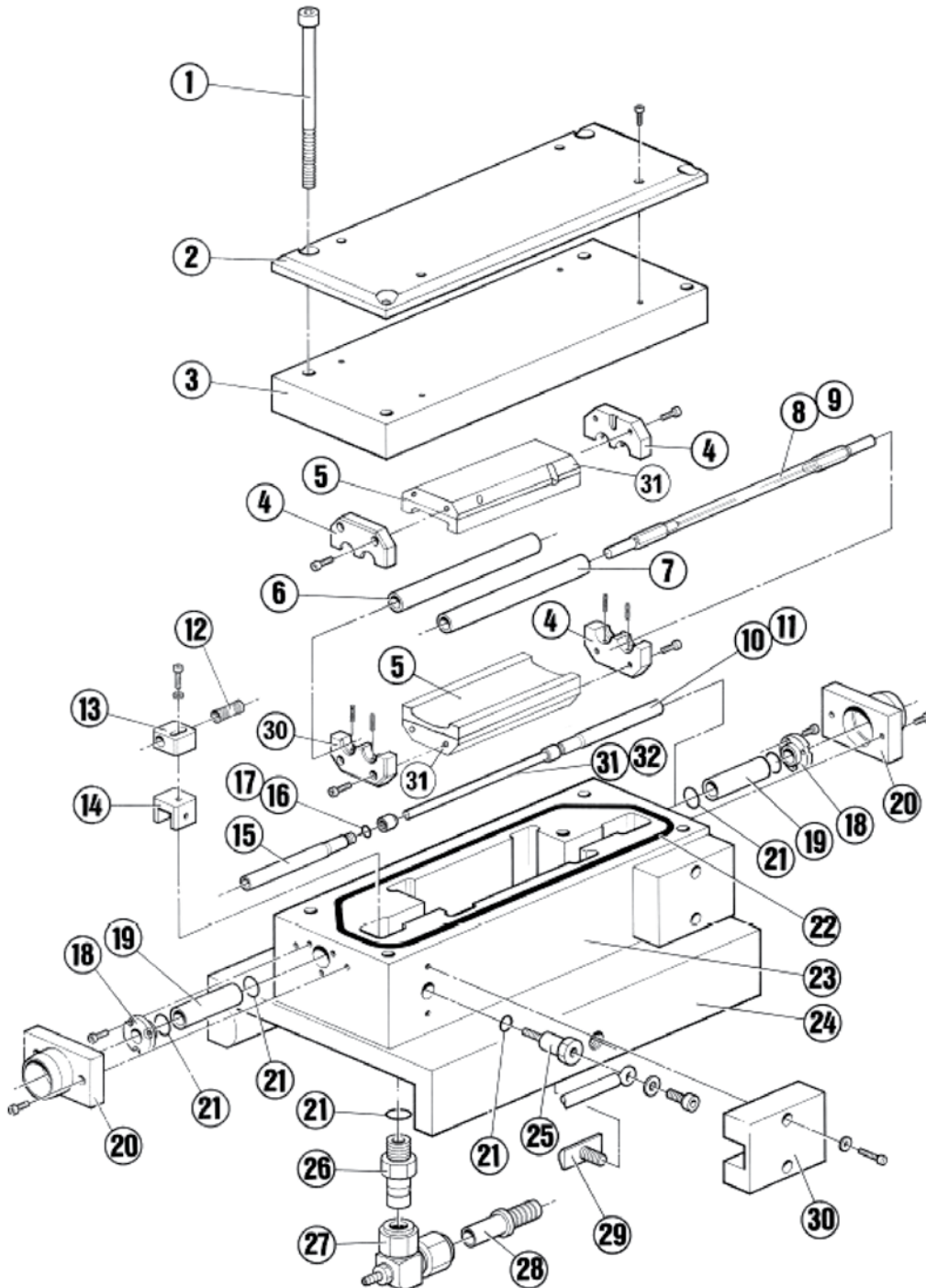
REFERENCE	ITEM	PART NUMBER
1	Lamp, 30Amp	LL9300
2	Lamp Flow Tube	FT450
3	Rod Flow Tube	FT450
4	O-Ring Kit	ORK350
5	DI Cartridge	D150
6	Particle Filter	PF75
7	Front Mirror	MR3M80RHC
8	Rear Mirror HR	MR3M100RHC
9	Gold Lamp Band	LC708

Other consumables upon request.

# LAMP PUMPED LASER HEADS

High performance and reliability

Part No: CHBA3540/C



# LAMP PUMPED LASER HEADS

High performance and reliability



**Part No: CHBA3640/C**

**LASER SYSTEMS:** LASER S.O.S. SOSI50WQSS380, 150–160 Watt

**DESCRIPTION:** Single-Lamp Pumped Solid-State Laser Chamber used for cutting marking & deep engraving applications.

## ASSEMBLIES

REFERENCE	PART NUMBER	DESCRIPTION
1	ORK350	O-Ring Kit 4mm Rod
2	CCA354	Ceramic Cavity Assembly, Complete
3	BA350	Head Block Assembly (Less Cavity, YAG Rod, Lamp & Carriage)
4	HBA3640	Head Block Assembly (Less YAG Rod, Lamp & Carriage)
5	CHBA3640	Head Block Assembly (Less Carriage), 4mm Rod Average Power = 150W
6	CHBA3640/C	Complete Head Block Assembly, 4mm Rod Average Power = 150W

# Part No: CHBA3640/C

## LASER HEAD COMPONENTS:

REFERENCE	PART NUMBER	DESCRIPTION
1	HB300	Head Bolt, Stainless Steel
2	FIN350	Heat Sink, Aluminium
3	UHB350	Upper Head Block
4	CEP300T	Cavity End Plate, Teflon
5	CCE354	Cavity Ellipse, Ceramic
6	RFT350	Flow Tube, Rod
7	FT450	Flow Tube, Lamp
8	LL9300	Laser Lamp, 30A
10	YRH334	YAG Rod Holder, 4mm Rod
11	LC708	Lamp Contact Band, Gold Plated
12	LCB300	Lamp Contact Block, Less Gold Lamp Band
12A	LCBA300	Lamp Contact Block Assembly, Including Gold Lamp Band
13	LTB300	Lamp Terminal Block
14	YRA350MM	YAG Rod Assembly, 4 x 108mm Rod, Multi Mode
15	ORT468	O-Ring, Teflon, 4mm Rod
16	REC300	Rod End Cap
17	RG300	Rod Guide
18	DB300	Dust Boot
19	ORK354	O-Ring, Silicone (Included in Kit)
20	ORK354	O-Ring, Silicone (Included in Kit)
21	LHB350	Lower Head Block
22	LHC350	Lower Head Carriage
23	HVP570	High Voltage pin
24	WF012	Water Fittings "-16 x "
25	WF021/2	Elbow Water Fitting, " for Q-Switch
26	HOSETAIL1/2	Hosetail " Barbed
27	CLA500	Carriage Locking Assembly
28	HVC800	High Voltage Cap
29	YR715	YAG Rod, 4 x 108mm, Multi Mode, Unmounted
30	CEP300	Cavity End Plate, Gold
31	CSP300	Ceramic Support Plate

## FREQUENTLY USED CONSUMABLES:

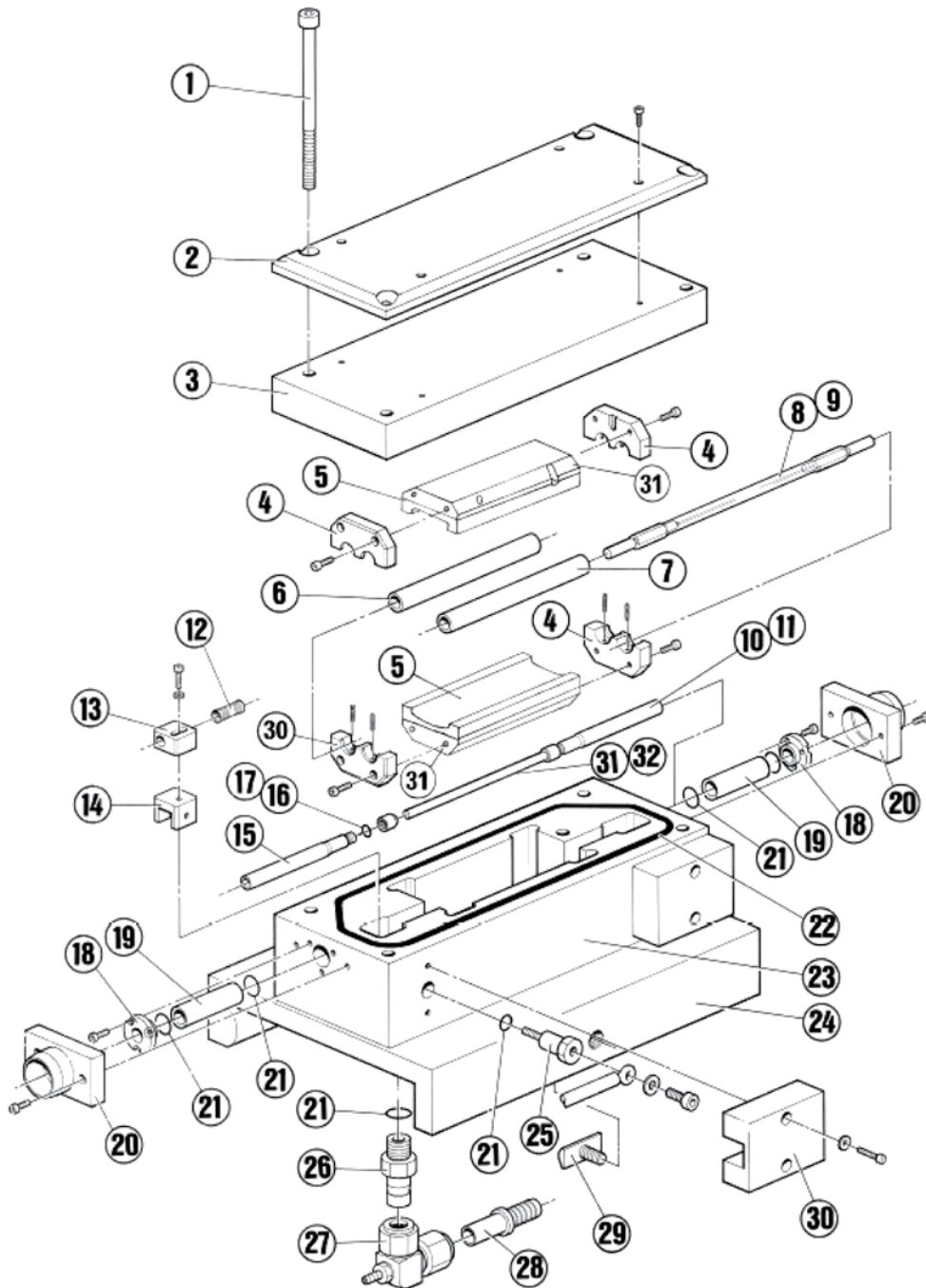
REFERENCE	ITEM	PART NUMBER
1	Lamp, 30Amp	LL9300
2	Lamp Flow Tube	FT450
3	Rod Flow Tube	RFT350
4	O-Ring Kit	ORK350
5	DI Cartridge	D150
6	Particle Filter	PF75
7	Front Mirror 85%	MR3M85RHC
8	Rear Mirror HR	MR3MI00RHC
9	Gold Lamp Band	LC708

Other consumables upon request.

# LAMP PUMPED LASER HEADS

High performance and reliability

## Part No: CHBA3640/C



# LAMP PUMPED LASER HEADS

High performance and reliability



## Part No: CHBA4116

**LASER SYSTEMS:** Quantronix 116, 604, 416; Teradyne W419, W421, W429, W614, M118; Laser Identification System WaferMark II, 345, Softmark, LightWriter

**DESCRIPTION:** High Stability Single-Lamp Pumped Solid-State Laser Chamber used for precision marking, engraving and trimming applications in the semiconductor & microelectronics Industry.

### ASSEMBLIES:

REFERENCE	PART NUMBER	DESCRIPTION
1	ORK4116	O-Ring Kit for 4 mm Rod
2	GCA116	Gold Cavity Assembly, Complete
3	BA116	Head Block Assembly (Less Cavity, YAG Rod, Lamp & Carriage)
4	HBA116	Head Block Assembly (Less YAG Rod, Lamp & Carriage)
5	CHBA4116	Complete Head Block Assembly (Includes a 4 mm Rod)
6	YRA1164	YAG Rod Assy, Low Noise, 4 x 79 mm, TEM <sub>00</sub>

## Part No: CHBA4116

### LASER HEAD COMPONENTS:

REFERENCE	PART NUMBER	DESCRIPTION
1	CHI16T	Cavity Reflector Holder, Top
2	CHI16B	Cavity Reflector Holder, Bottom
3	GCEI16	Gold Cavity Reflector
4	CMI14	Coolant Manifold Required for Water Fittings
5	CEPI14	Cavity End Plate
6	WIB116	Water Inlet Block
7	LSI16	Light Shield Sleeve
8	ORK4116	O-Ring, Silicone (Included in Kit)
9	LHB116	Lower Head Block
11	CPP114	Crystal Pressure Plate, Front
12	LPP114	Lamp Pressure Plate, Front
14	LEPI14	Lamp End Plate
16	UHB116	Upper Head Block
17	WF033	Water Fitting for Coolant Manifold CMI14
20	YR512A	YAG Rod, 4 mm, Unmounted, TEM <sub>00</sub>
22	YRA1164	YAG Rod Assembly Complete, 4 mm × 79 mm, TEM <sub>00</sub>
23	RFT116ENH	Rod Flow Tube
25	YRHI164ENH	YAG Rod Holder, 4 mm Rod
27	PRI16	Pressure Ring
28	RRI16	Retaining Ring
29	CNI16	Crystal Nut
31	ORK4116	O-Ring, Silicone 4 mm
33	PTI164ENH	Pressure Tube, 4 mm
34	LFT116	Lamp Flow Tube
35	LFT116CE	Lamp Flow Tube, Cerium Doped
36	LLI16LL	Laser Lamp, 400 Hrs
37	LLI16LLS	Laser Lamp, 600 Hrs
38	PWI49	Pressure Washer
39	CSA116	Cathode Socket Assembly
40	ASA116	Anode Socket Assembly
41	ORN804	O-Ring, Nirtile (10 PCES/PKT)
42	THRI50	Threaded Retainer
43	YR416	YAG Rod, 4 mm Wedge, Unmounted, TEM <sub>00</sub>
44	YRA416	YAG Rod Assembly Complete, 4 mm × 79 mm, Wedge, TEM <sub>00</sub>

### FREQUENTLY USED CONSUMABLES:

REFERENCE	ITEM	PART NUMBER
1	LFT116	Lamp Flow Tube, Pyrex
2	ASA116	Anode Socket Assembly
3	CSA116	Cathode Socket Assembly
4	LLI16LLS	Laser Lamp, 600 Hrs
5	D8822	DI Cartridge
6	PF30	Particle Filter

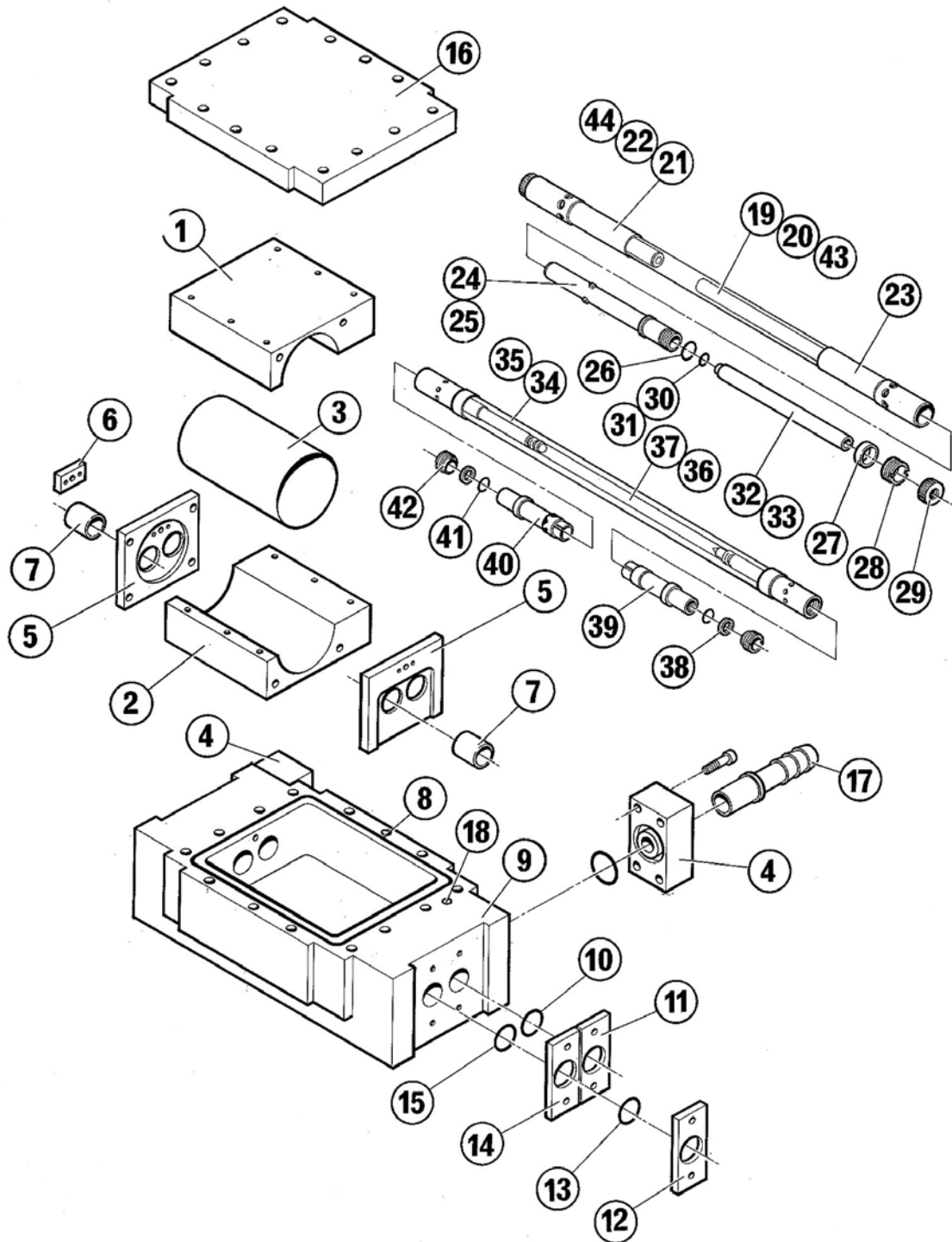
Other consumables upon request. Brought forward.



# LAMP PUMPED LASER HEADS

High performance and reliability

## Part No: CHBA4116



# LAMP PUMPED LASER HEADS

High performance and reliability



**Part No: CHBA4116YLF**

**LASER SYSTEMS:** Quantronix Nd:YLF Model 4116, 4216

**DESCRIPTION:** High Stability Single-Lamp Pumped Solid-State Laser Chamber used for precision material processing for Scientific and Industrial Applications.

## ASSEMBLIES:

REFERENCE	PART NUMBER	DESCRIPTION
1	ORK4116	O-Ring Kit for 4 mm Rod
2	GCA116	Gold Cavity Assembly, Complete
3	BA114	Head Block Assembly (Less Cavity Reflector, YLF Rod & Lamp Assemblies)
4	HBA116	Head Block Assembly (Less YLF Rod & Lamp Assembly)
5	CHBA4116YLF	Complete Head Block Assembly (Includes 4 mm YLF Rod)

# Part No: CHBA4I16YLF

## LASER HEAD COMPONENTS:

REFERENCE	PART NUMBER	DESCRIPTION
1	CHI16T	Cavity Reflector Holder, Top
2	CHI16B	Cavity Reflector Holder, Bottom
3	GCEI16	Gold Cavity Reflector
4	CMI14	Coolant Manifold Required for Nylon Water Fittings
5	CEPI14	Cavity End Plate
6	WIBI16	Water Inlet Block
7	LSI16	Light Shield Sleeve
8	ORK4I16	O-Ring, Silicone (Included in Kit)
9	LHBI16	Lower Head Block
11	CPP114	Crystal Pressure Plate, Front
12	LPP114	Lamp Pressure Plate, Front
14	LEPI14	Lamp End Plate
16	UHBI16	Upper Head Block
17	WF033	Water Fitting, Stainless Steel
19	YLF116	YLF Rod, 4 mm × 79 mm
21	YLFAI16	YLF Rod Assembly Complete, 4 mm
23	RFTI16	Rod Flow Tube
24	YRHI164	YLF Rod Holder, 4 mm
27	PR116	Pressure Ring
28	RR116	Retaining Ring
29	CNI16	Crystal Nut
30	ORS4MM	O-Ring Silicone, 4 mm
32	PTI164ENH	Pressure Tube, 4 mm
34	LFTI16	Lamp Flow Tube
35	LFTI16CE	Lamp Flow Tube, Cerium Doped
36	LLI16LL	Laser Lamp, 400 Hrs
37	LLI16LLS	Laser Lamp, 600 Hrs
38	PWI49	Pressure Washer
39	CSA116	Cathode Socket Assembly
40	ASA116	Anode Socket Assembly
41	ORN804	O-Ring Nitrile (10PCES/PKT)
42	THR150	Threaded Retainer

## FREQUENTLY USED CONSUMABLES:

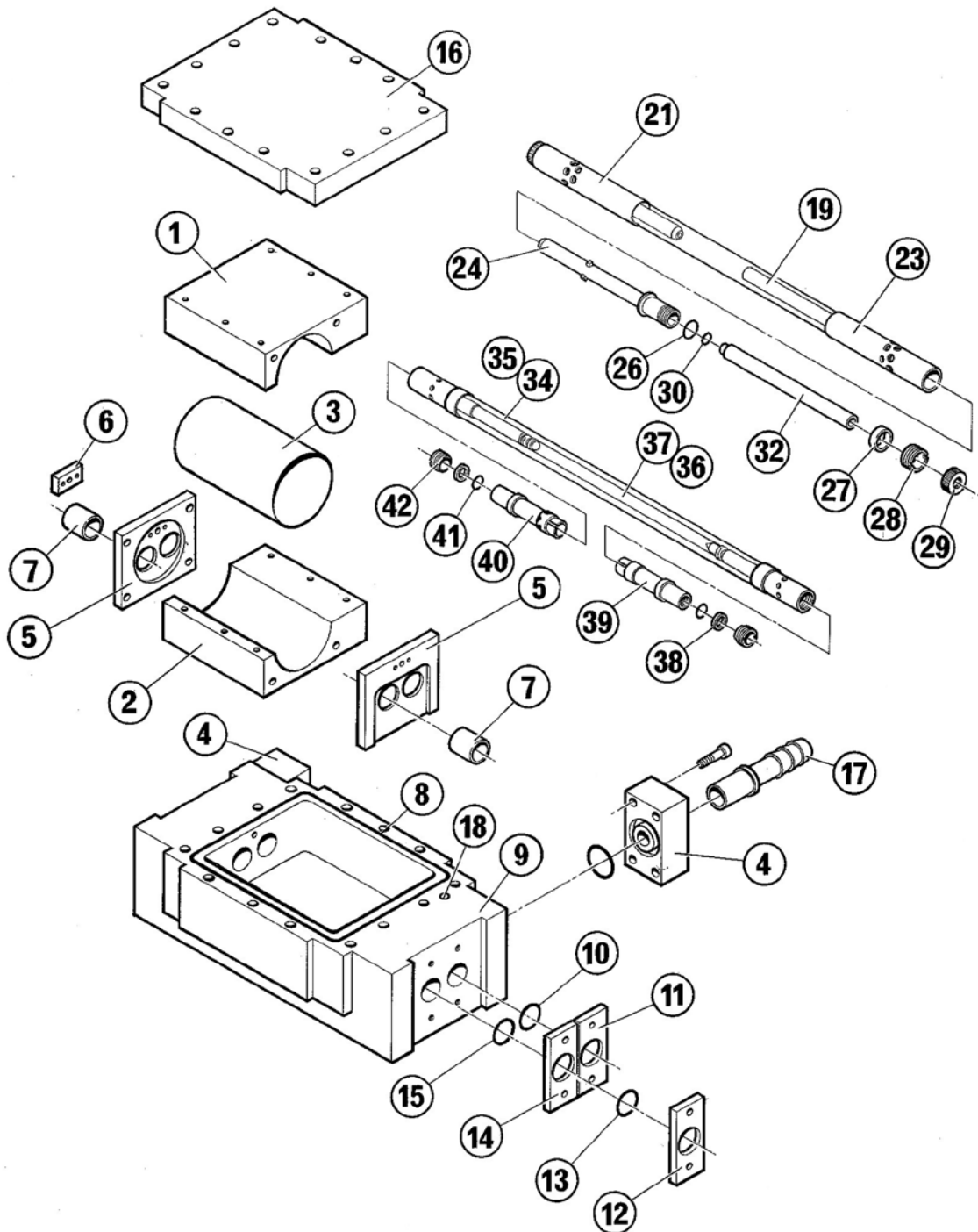
REFERENCE	ITEM	PART NUMBER
1	LFTI16	Lamp Flow Tube, Pyrex
2	LFTI16CE	Lamp Flow Tube, Ce doped quartz
3	ASA116	Anode Socket Assembly
4	CSA116	Cathode Socket Assembly
5	LLI16LL	Laser Lamp, 400 Hrs
6	LLI16LLS	Laser Lamp, 600 Hrs
7	D8811	DI Cartridge
8	PF30	Particle Filter

Other consumables upon request.

# LAMP PUMPED LASER HEADS

High performance and reliability

## Part No: CHBA4116YLF



Intelligent Solutions, Manufacturing & Development

# LAMP PUMPED LASER HEADS

High performance and reliability



## Part No: CHBA4117

**LASER SYSTEMS:** Quantronix 117, Q-MARK

**DESCRIPTION:** Single-Lamp Pumped Solid-State Laser Chamber used for precision material processing applications such as marking and deep engraving.

### ASSEMBLIES:

REFERENCE	PART NUMBER	DESCRIPTION
1	ORK4117	O-Ring Kit for 4mm Rod
2	GCA117	Gold Cavity Assembly, Complete
3	BA117	Head Block Assembly (Less Cavity Reflector, YAG Rod & Lamp Assembly)
4	HBA117	Head Block Assembly (Less YAG Rod & Lamp Assembly)
5	CHBA4117	Complete Head Block Assembly (Includes 4mm Rod)

### NEW UP-GRADE ASSEMBLIES:

REFERENCE	PART NUMBER	DESCRIPTION
1	YRA1173	YAG Rod Assembly Complete, Fitted with new hardware yielding Low Noise and Enhanced Performance, 3mm x 108mm YAG Rod
2	RFTA1173ENHA	YAG Rod Assembly Complete, Less 3mm YAG Rod

## Part No: CHBA4117

### LASER HEAD COMPONENTS:

REFERENCE	PART NUMBER	DESCRIPTION
1	CHI17T	Cavity Reflector, Top
2	CHI17B	Cavity Reflector, Bottom
3	GCE117	Gold Cavity Reflector
4	CM114	Coolant Manifold Required for Water Fittings
5	CEP114	Cavity End Plate
6	WIB117	Water Inlet Block
7	LS117	Light Shield Sleeve
8	SEE KIT	O-Ring, Silicone (Included in Kit)
9	LHB117	Lower Head Block
11	CPP114	Crystal Pressure Plate, Front
12	LPP114	Lamp Pressure Plate, Front
14	LEP114	Lamp End Plate
16	UHB117	Upper Head Block
17	WF033	Water Fitting for Coolant Manifold CM114
19	YR425	YAG Rod, 4mm, Unmounted, TEM <sub>00</sub>
21	YRA4117	YAG Rod Assembly Complete, 4mm Rod, TEM <sub>00</sub> , Enhanced, Low Noise
23	RFT117	Rod Flow Tube
24	YRHI174	YAG Rod Holder, 4mm Rod
27	PR116	Pressure Ring
28	RR116	Retaining Ring
29	CNI17	Crystal Nut
30	ORS4MM	O-Ring Silicone, 4mm
32	PT1174	Pressure Tube, 4mm
34	LFT117	Lamp Flow Tube, Pyrex
35	LFT117CE	Lamp Flow Tube, Cerium Doped
36	LL117LL	Laser Lamp, 400 Hrs
37	LL117LLS	Laser Lamp, 600 Hrs
38	PWI49	Pressure Washer
39	CSA116	Cathode Socket Assembly
40	ASA116	Anode Socket Assembly
41	ORN804	O-Ring Nitrile (10PCES/PKT)
42	THR150	Threaded Retainer

### FREQUENTLY USED CONSUMABLES:

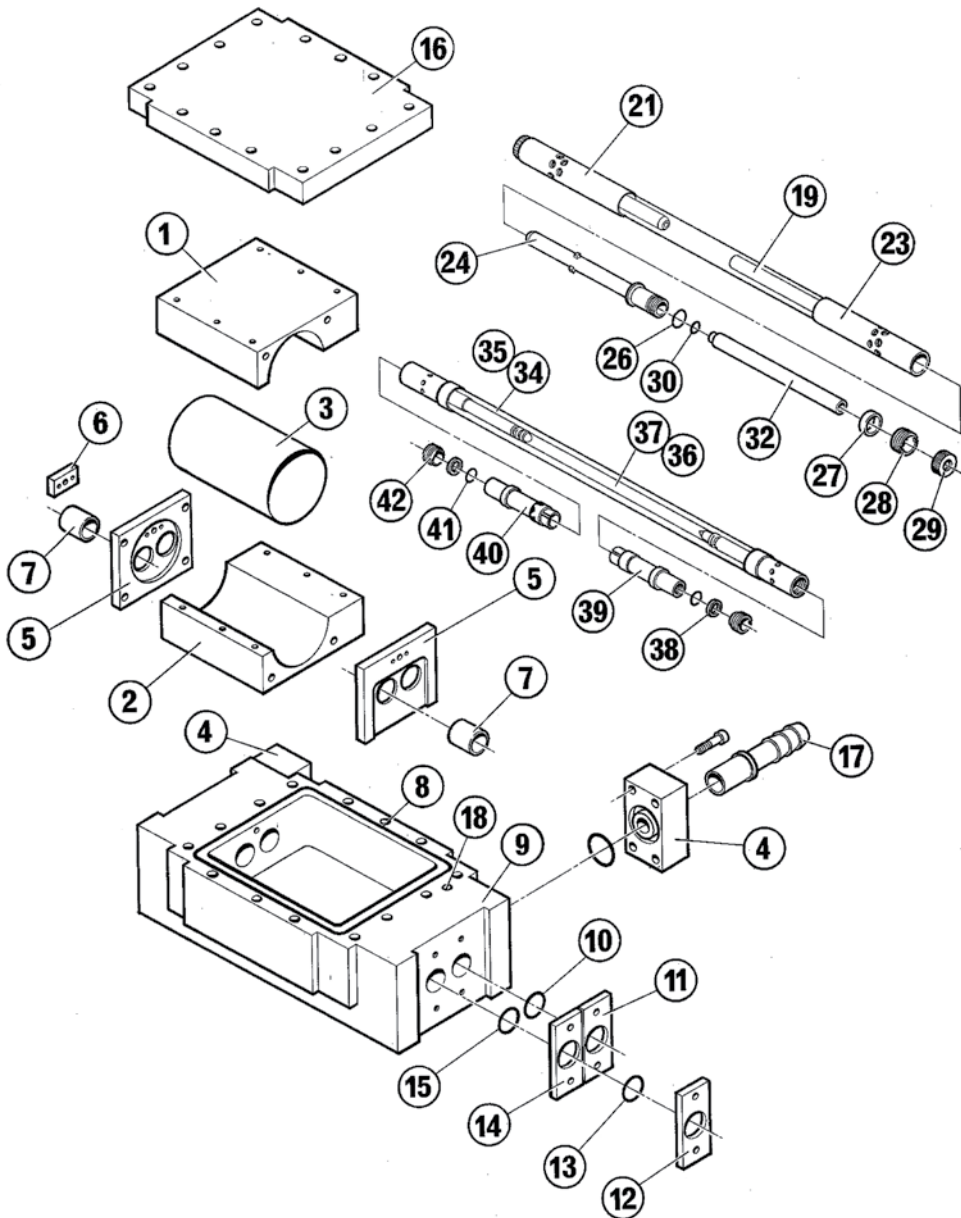
REFERENCE	ITEM	PART NUMBER
1	LFT117	Lamp Flow Tube, Pyrex
2	LFT117CE	Lamp Flow Tube, Ce doped quartz
3	ASA116	Anode Socket Assembly
4	CSA116	Cathode Socket Assembly
5	LL117LLS	Laser Lamp, 400Hrs
6	LL749	Laser Lamp, 600Hrs
7	MR2M80RHC, 80%	Front Mirror
8	MR2M100RHC, HR	Rear Mirror
9	D8822	DI Cartridge
10	PF30	Particle Filter

Other consumables upon request.

# LAMP PUMPED LASER HEADS

High performance and reliability

## Part No: CHBA4117



# LAMP PUMPED LASER HEADS

High performance and reliability



**Part No: CHBA4217YLF**

**LASER SYSTEMS:** Quantronix Nd:YLF Model 4217

**DESCRIPTION:** High Stability Single-Lamp Pumped Solid-State Laser Chamber used for precision material processing for Scientific and Industrial applications.

## ASSEMBLIES:

REFERENCE	PART NUMBER	DESCRIPTION
1	ORK4117	O-Ring Kit for 4 mm Rod
2	GCA117	Gold Cavity Assembly, Complete
3	BA117	Head Block Assembly (Less Cavity Reflector, YLF Rod & Lamp Assemblies)
4	HBA117	Head Block Assembly (Less YLF Rod & Lamp Assemblies)
5	CHBA4217YLF	Complete Head Block Assembly (Includes 4 mm YLF Rod)



# Part No: CHBA4217YLF

## LASER HEAD COMPONENTS:

REFERENCE	PART NUMBER	DESCRIPTION
1	CHI17T	Cavity Reflector Top
2	CH117B	Cavity Reflector Holder, Bottom
3	GCE117	Gold Cavity Reflector
4	CMI14	Coolant Manifold Required for Nylon Water Fittings
5	CEP114	Cavity End Plate
6	WIB117	Water Inlet Block
7	LS117	Light shield Sleeve
8	ORK4117	O-Ring, Silicone (Included in Kit)
9	LHB117	Lower Head Block
11	CPP114	Crystal Pressure Plate, Front
12	LPP114	Lamp Pressure Plate, Front
14	LEP114	Lamp End Plate
16	UHB117	Upper Head Block
17	WF033	Water Fitting, Stainless Steel
19	YLF117	YLF Rod, 4 mm × 104 mm (Old Model)
21	YLFA117	YLF Rod Assembly Complete, 4 mm
23	RFT117	Rod Flow Tube
24	YRH1174	YLF Rod Holder, 4 mm
27	PR116	Pressure Ring
28	RR116	Retaining Ring
29	CNI16	Crystal Nut
30	ORS4MM	O-Ring Silicone, 4 mm
32	PT1174	Pressure Tube, 4 mm
34	LFT117	Lamp Flow Tube
35	LFT117CE	Lamp Flow Tube, Cerium Doped Quartz
36	LL117LL	Laser Lamp, 400 Hrs
37	LL117LLS	Laser Lamp, 600 Hrs
38	PWI49	Pressure Washer
39	CSA116	Cathode Socket Assembly
40	ASA116	Anode Socket Assembly
41	ORN804	O-Ring Nitrile (10PCES/PKT)
42	THR150	Threaded Retainer

## FREQUENTLY USED CONSUMABLES:

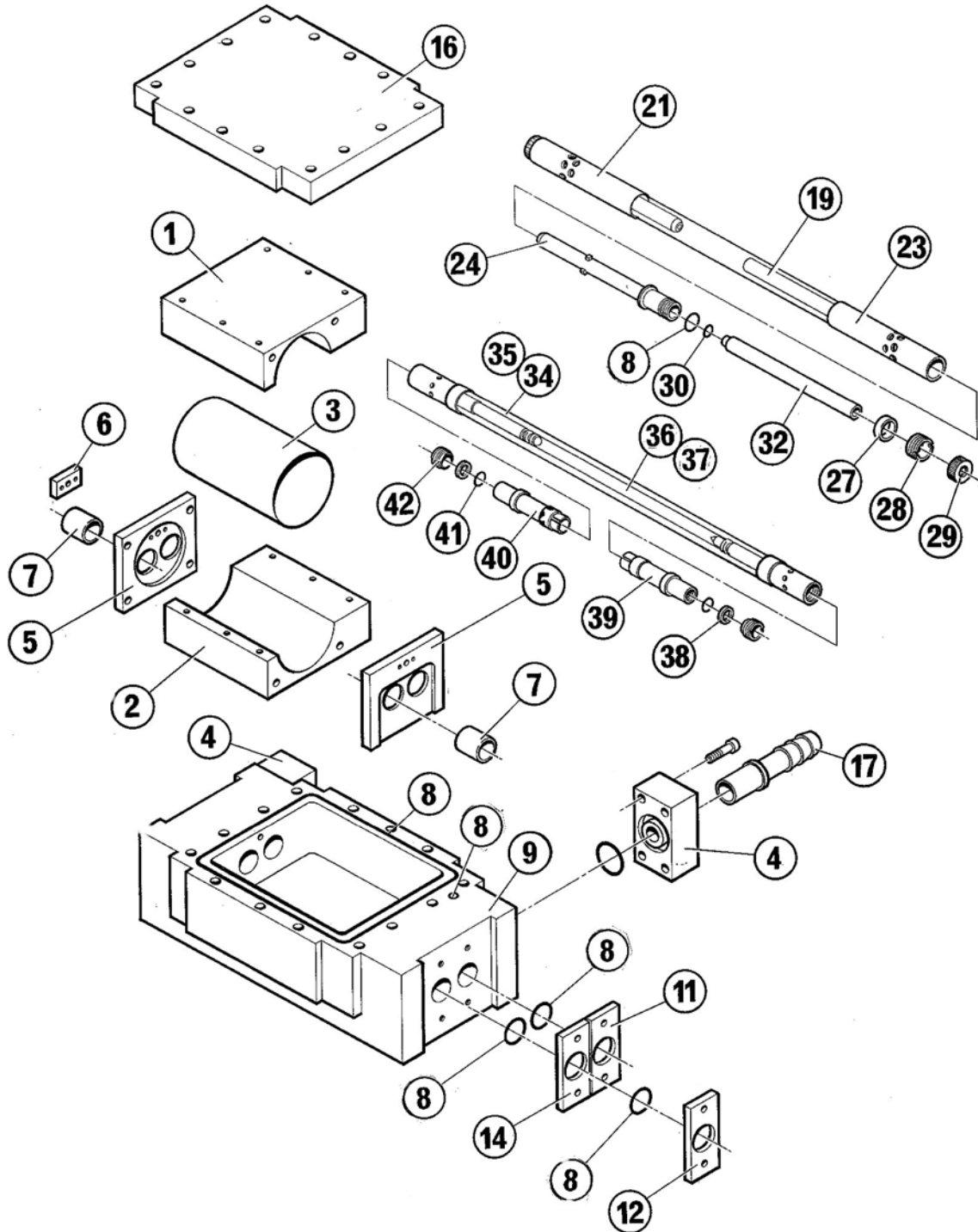
REFERENCE	ITEM	PART NUMBER
1	LFT117	Lamp Flow Tube, Pyrex
2	LFT117CE	Lamp Flow Tube, Ce doped quartz
3	ASA116	Anode Socket Assembly
4	CSA116	Cathode Socket Assembly
5	LL117LL	Laser Lamp, 400 Hrs
6	LL117LLS	Laser Lamp, 600 Hrs
7	D8811	DI Cartridge
8	PF30	Particle Filter

Other consumables upon request.

# LAMP PUMPED LASER HEADS

High performance and reliability

## Part No: CHBA4217YLF



Intelligent Solutions, Manufacturing & Development

# LAMP PUMPED LASER HEADS

High performance and reliability



## Part No: CHBA6000/C

**LASER SYSTEMS:** Basel Lasertechnik 2000; BLS 61 I , 615i; 6000 Series; LBI 600 COMP III; AB Lasers 60 to 80 Watts Multimode

**DESCRIPTION:** Single-Lamp Pumped Solid-State Laser Chamber used for precision marking & engraving applications.

### ASSEMBLIES:

REFERENCE	PART NUMBER	DESCRIPTION
1	ORK6000	O-Ring Kit
2	GC6000	Gold Cavity Assembly, Complete
3	BA6000	Head Block Assembly (Less Cavity, YAG Rod, Lamp & Carriage)
4	HBA6000	Head Block Assembly (Less YAG Rod, Lamp & Carriage)
5	CHBA6000	Head Block Assembly, Complete (Less Carriage)
6	CHBA6000/C	Complete Head Block Assembly

## Part No: CHBA6000/C

### LASER HEAD COMPONENTS:

REFERENCE	PART NUMBER	DESCRIPTION
1	HB600	Head Bolt, Stainless Steel
2	FIN6000	Heat Sink Aluminium
3	UHB6000	Upper Head Block
4	CEP6000G	Cavity End Plate, Gold Plated
5	CEP6000T	Cavity End Plate, Teflon
6	LFT512	Lamp Flow Tube
7	RFT512C	Rod Flow Tube, Doped
8	YRA6479	YAG Rod Assembly, Mounted, Multimode
8a	YRA6512	YAG Rod Assembly, TEM <sub>00</sub>
9	YRH6000	YAG Rod Holder and Cap
10	ORT4MM	O-Ring, Teflon
11a	YR512	YAG Rod 4 mm Rod, Unmounted, TEM <sub>00</sub>
11	YR479	YAG Rod, 4 mm Rod., Unmounted, Multimode
12	LL166	Laser Lamp, 20 Amps, 80750-009
13	LL209	Laser Lamp, 30 Amps, 80750-008
14	LHB6000	Lower Head Block
15	TLS6000	Light Shield, Teflon
16	LTBA6000	Lamp Mounting Block, Including Gold Band Assembly
18	ORK6000	O-Ring (Included in Kit)
19	HVP6000	High Voltage Pin
20	HVC6000	High Voltage Cap
21	REC600	Rod End Cap
22	DB600	Dust Boot
23	LHC6000	Lower Head Carriage
24	CLA600	Carriage Locking Assembly
25	GCE600	Cavity Ellipse, Gold Plated
26	WF6000	Water Fitting, Head Block and Q-Switch
27	WF052	Water Fitting, 102103461, 64630-044
28	WFCP6000	Water Fitting Clamp Plate
29	ORW6000	O-Ring Washer, Silicone
30	RG510	Rod Guide
31	ORK6000	O-Ring (Included in Kit)

### FREQUENTLY USED CONSUMABLES:

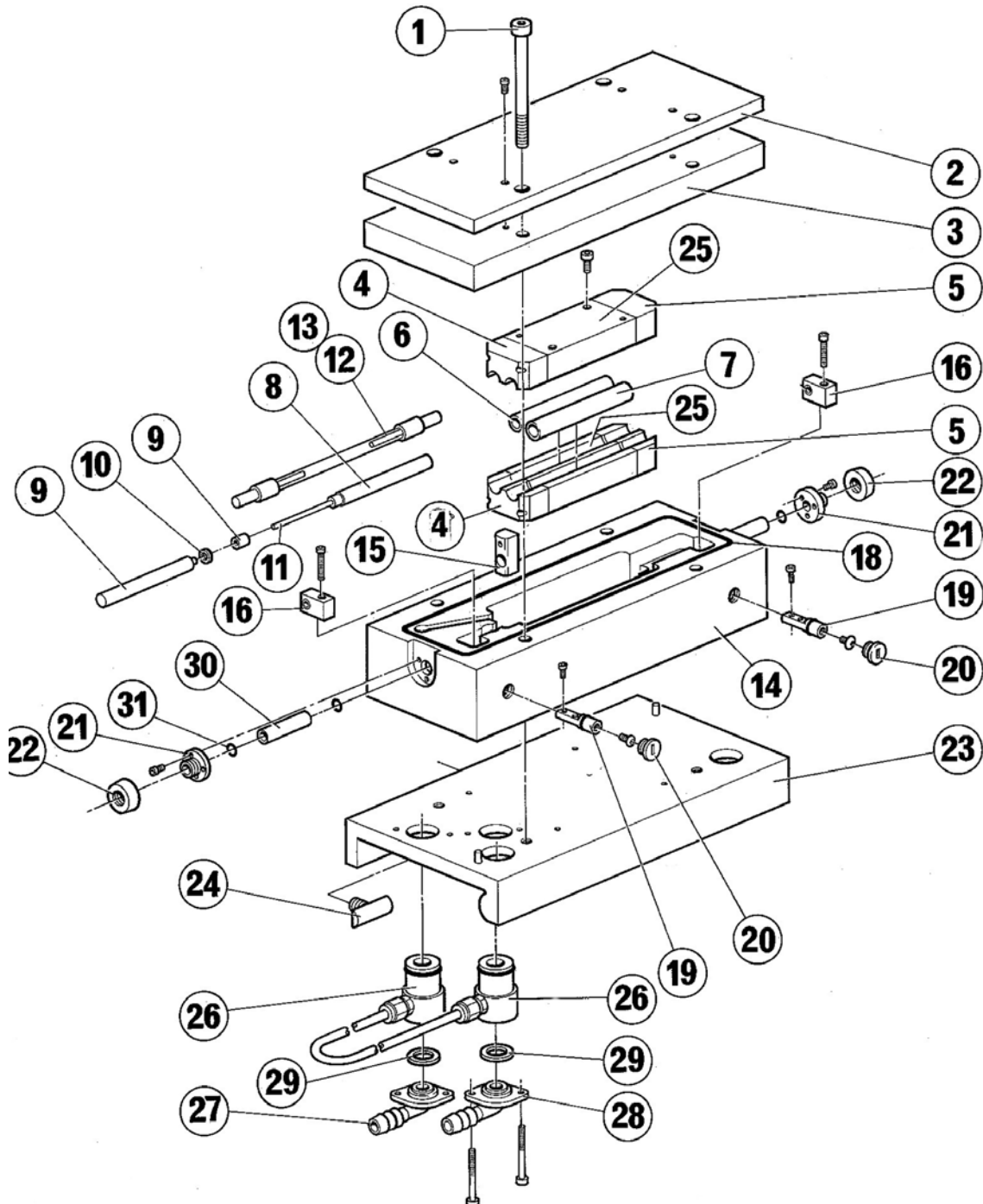
REFERENCE	ITEM	PART NUMBER
1	Lamp, 20Amps	LL166
2	Lamp Flow Tube	LFT512
3	Rod Flow Tube	RFT512C
4	Lamp 30 Amps	LL209
5	Front Mirror 80%	MR3M80R1MCXHC
6	Front Mirror 90%	MR3M90RHC
7	Rear Mirror HR	MR3M100RHC

Other consumables upon request.

# LAMP PUMPED LASER HEADS

High performance and reliability

Part No: CHBA6000/C



# LAMP PUMPED LASER HEADS

High performance and reliability



**Part No: CHBA6117**

**LASER SYSTEMS:** Quantronix 117, 150 Watt

**DESCRIPTION:** Single-Lamp Pumped Solid-State Laser Chamber used for precision marking, engraving and cutting Applications.

**ASSEMBLIES:**

REFERENCE	PART NUMBER	DESCRIPTION
1	ORK6117	O-Ring Kit for 6.35 mm Rod
2	GCA117	Gold Cavity Assembly, Complete
3	BA117	Head Block Assembly (Less Cavity Reflector, YAG Rod & Lamp Assembly)
4	HBA117	Head Block Assembly (Less YAG Rod & Lamp Assembly)
5	CHBA6117	Complete Head Block Assembly (Includes 6.35 mm Rod), Multimode

# Part No: CHBA6117

## LASER HEAD COMPONENTS:

REFERENCE	PART NUMBER	DESCRIPTION
1	CHI17T	Cavity Reflector Holder, Top
2	CHI17B	Cavity Reflector Holder, Bottom
3	GCE117	Gold Cavity Reflector
4	CMI14	Coolant Manifold Required for Water Fittings
5	CEP114	Cavity End Plate
6	WIB117	Water Inlet Block
7	LSI17	Light Shield Sleeve
8	ORK6117	O-Ring, Silicone (Included in Kit)
9	LHB117	Lower Head Block
11	CPP114	Crystal Pressure Plate, Front
12	LPP114	Lamp Pressure Plate, Front
14	LEP114	Lamp End Plate
16	UHB117	Upper Head Block
17	WF033	Water Fitting for Coolant Manifold CMI14
19	YR530	YAG Rod, 6.35 mm, Unmounted, Multimode
22	YRA1176	YAG Rod Assembly Complete, 6.35 mm Rod, Multimode
23	RFT117	Rod Flow Tube
25	YRHI1725	YAG Rod Holder, 6.35 mm Rod
27	PRI16	Pressure Ring
28	RRI16	Retaining Ring
29	CNI17	Crystal Nut
31	ORK6117	O-Ring Silicone, 6.35 mm
33	PT1176	Pressure Tube, 6.35 mm
34	LFT117	Lamp Flow Tube
35	LFT117CE	Lamp Flow Tube, Cerium Doped
36	LLI17LL	Laser Lamp, 400 Hrs
37	LL749	Laser Lamp, 600 Hrs
38	PWI49	Pressure Washer
39	CSA116	Cathode Socket Assembly
40	ASA116	Anode Socket Assembly
41	ORN804	O-Ring Nitrile (10PCES/PKT)
42	THR150	Threaded Retainer

## FREQUENTLY USED CONSUMABLES:

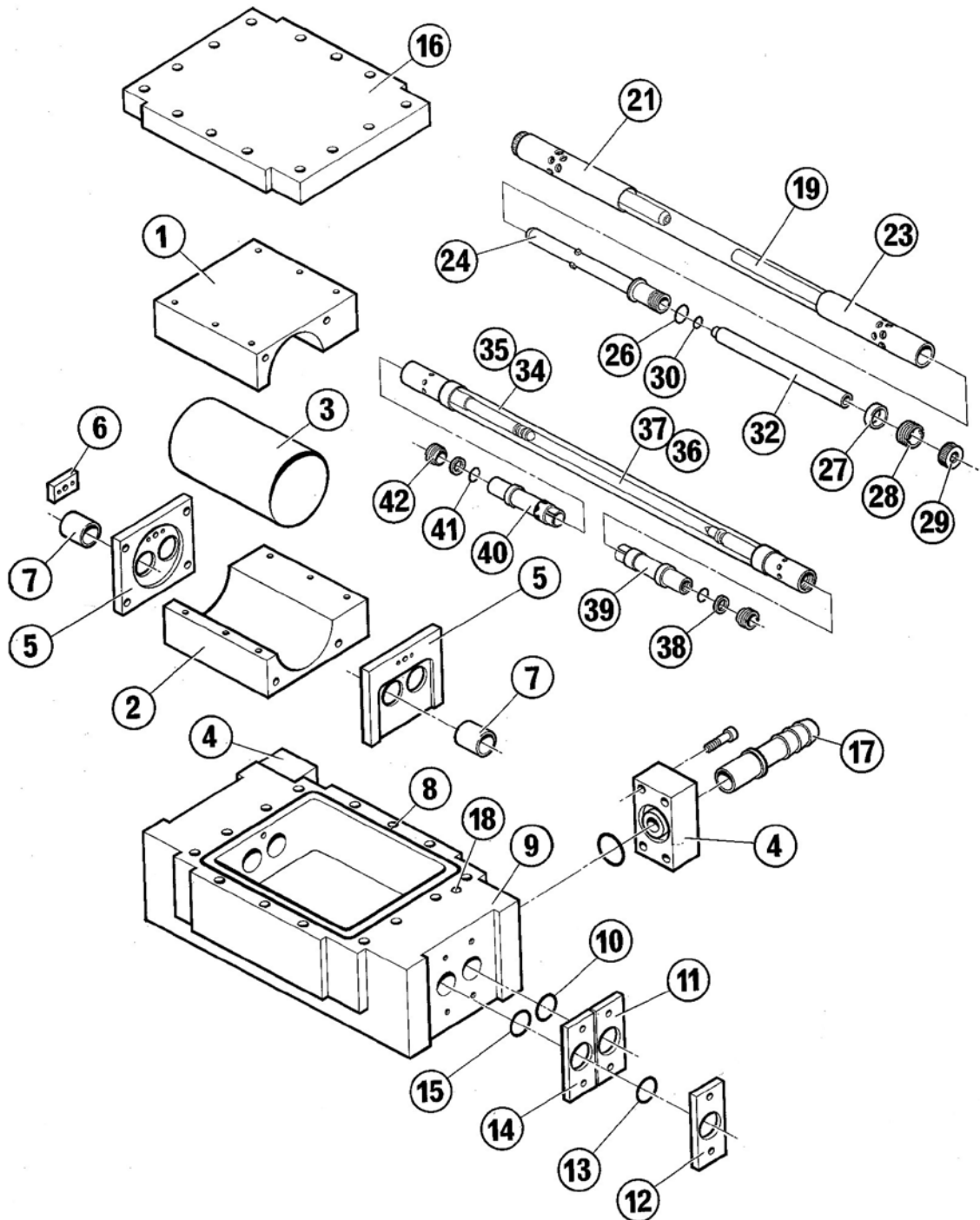
REFERENCE	ITEM	PART NUMBER
1	LFT117	Lamp Flow Tube, Pyrex
2	LFT117CE	Lamp Flow Tube, Ce Doped
3	ASA116	Anode Socket Assembly
4	CSA116	Cathode Socket Assembly
5	D8811	DI Cartridge
6	LLI17LL	Laser Lamp, 400 Hrs
7	LLI17LLS	Laser Lamp, 600 Hrs

Other consumables upon request.

# LAMP PUMPED LASER HEADS

High performance and reliability

Part No: CHBA6117



Intelligent Solutions, Manufacturing & Development



# LAMP PUMPED LASER HEADS

High performance and reliability



## Part No: CHBA7000

**LASER SYSTEMS:** Crafford Laserstar 7000

**DESCRIPTION:** Single-Flash Lamp Pumped Solid-State Laser Chamber used for precision spot welding applications.

### ASSEMBLIES:

REFERENCE	PART NUMBER	DESCRIPTION
1	ORK7000	O-Ring Kit
2	GC7000	Gold Cavity Assembly, Complete
3	BA7000	Head Block Assembly (Less Cavity, YAG Rod Assembly & Lamp)
4	HBA7000	Head Block Assembly (Less YAG Rod Assembly & Lamp)
5	CHBA7000	Complete Head Block Assembly, 101-00-1001

## Part No: CHBA7000

### LASER HEAD COMPONENTS:

REFERENCE	PART NUMBER	DESCRIPTION
1	UHB7000	Upper Head Block, 01-10002
2	ORS7000	O-Ring, Silicone, 466-6312
3	GCE7000	Cavity Ellipse, Gold Plated, 01-11003
4	CEP7000	Cavity End Plate, 01-10005
5	FP7000	Flow Plate, 01-10089
6	LEC7000	Lamp End Cap, 01-10008
7	REC7000	Rod End Cap, 01-10007
8	YR254	YAG Rod 6.35 mm, Unmounted
9	YRA7000	YAG Rod Assy, Mounted, 101-00-1015
10	LL8624	Lamp, Standard, (Old Model)
11	LTBA7000	Lamp Terminal Block, Includes lamp band, 01-13019
11A	LTB700	Lamp Terminal Block (Less Lamp Band)
12	LHBPLUG	Plug, Lower Head Block, 01-10006
13	LHBPLUGHEX	Plug, Hex Socket, Stainless, 92-53911-125
14	WF7000	Elbow Fitting, Nylon, 463-001
15	LHB7000	Lower Head Block, 01-10001
16	LL8623	Lamp, High Performance (7000 Series)

### FREQUENTLY USED CONSUMABLES:

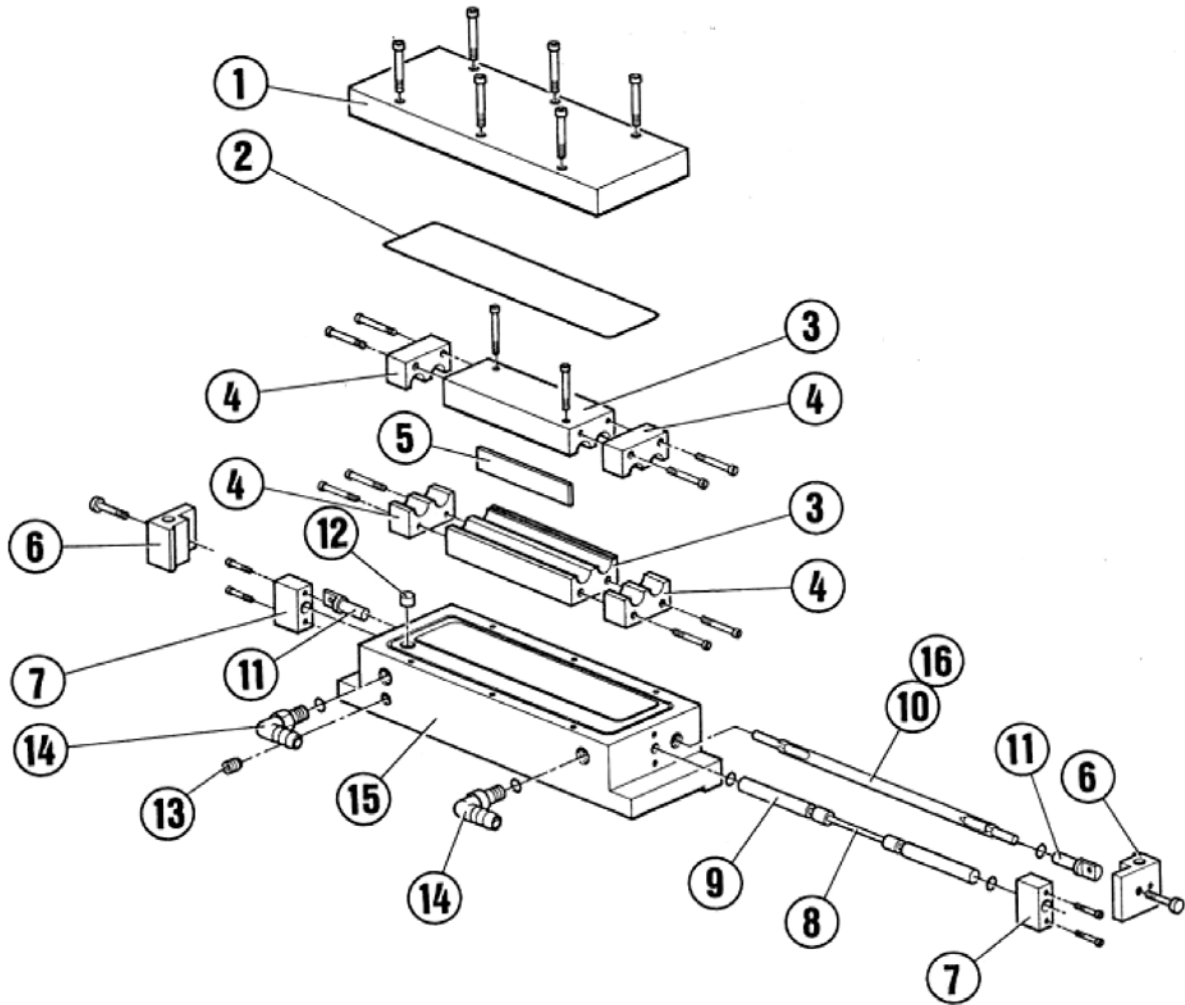
REFERENCE	ITEM	PART NUMBER
1	Flash Lamp (Old Model)	LL8624, 405-2460-405
2	Flow Plate	FP7000, 01-10089
3	O-Ring Kit	ORK7000
4	Flash Lamp (7000 Series)	LL8623, 405-2460-406

Other consumables upon request.

# LAMP PUMPED LASER HEADS

High performance and reliability

Part No: CHBA7000



# LAMP PUMPED LASER HEADS

High performance and reliability



**Part No: CHBA7180/C**

**LASER SYSTEMS:** Lee Laser Model 715, 718; General Scanning Hi-Mark 400

**DESCRIPTION:** Single-Lamp Pumped Solid-State Laser Chamber used for precision marking & engraving applications.

## ASSEMBLIES:

REFERENCE	PART NUMBER	DESCRIPTION
1	ORK718	O-Ring Kit
2	CC718	Ceramic Cavity Assembly, Complete (Less Teflon Light Shields)
3	CCA718	Ceramic Cavity Assembly, Complete (Includes Teflon Light Shields)
4	BA718	Head Block Assembly (Less Cavity, YAG Rod, Lamp & Carriage)
5	HBA7180	Head Block Assembly (Less YAG Rod, Lamp & Carriage)
6	CHBA7180	Head Block Assembly, Complete (Less Carriage),
7	CHBA7180/C	Complete Head Block Assembly

# Part No: CHBA7180/C

## LASER HEAD COMPONENTS:

REFERENCE	PART NUMBER	DESCRIPTION
1	HB708	Head Bolt, Stainless Steel
2	H2	Stainless Steel Washer
3	H4	Nylon Washer
4	FIN718	Heat Sink, Aluminium
5	UHB718	Upper Head Block
6	CEP708L	Cavity End Plate, Left, Gold
7	LC708	Lamp Contact Band, Gold
8	LFT718	Lamp Flow Tube
9	RFT718	Rod Flow Tube, Cerium Doped
10	LL9300	Krypton Arc Lamp, 30 Amps
11	CCE818	Cavity Ellipse, Ceramic
12	ORK718	O-Rings (Included in Kit)
13	HVP708	High Voltage Pin
14	LMBS555	Lamp, Mounting Block, Screw
15	LCB708	Lamp Contact Block
16	LTB708	Lamp Terminal Block
17	LHB718	Lower Head Block
18	LHC718	Lower Head Carriage
19	CLA500	Carriage Locking Assembly
20	ORK718	O-Ring (Included in Kit)
21	WF049	Water Fitting 5/8" O.D., Stainless Steel
22	YR715	YAG Rod, 4mm Dia., Unmounted
23	YRA715	YAG Rod Assembly, Mounted
24	ORK718	O-Ring (Included in Kit)
25	RG708	Rod Guide
26	REC718	Rod End Cap
27	DB718	Dust Boot
28	ORK718	O-Ring (Included in Kit)
29	CEP708R	Cavity End Plate, Right, Gold
30	LS708U	Teflon Light Shield, Upper (Sold as TLS708KIT)
31	TLS718U	Teflon Light Shield, Upper (Sold as TLS718KIT)
32	LS708L	Teflon Light Shield, Lower (Sold as TLS708KIT)
33	WF022	Water Fitting, Reducer 1/2" O.D.
34	TLS718L	Teflon Light Shield, Lower (Sold as TLS718KIT)
35	WF016/2	Elbow Fitting 5/8" Nylon, Q-Switch Barb
36	H79	Stainless Steel Spilt Washer
37	CSP818/1	Cavity Support Plate, Upper
38	CSP818/2	Cavity Support Plate, Lower

## FREQUENTLY USED CONSUMABLES:

REFERENCE	ITEM	PART NUMBER
1	Lamp, 30Amp	LL9300
2	Lamp Flow Tube	LFT718
3	Rod Flow Tube	RFT718
4	DI Cartridge	D700
5	Front Mirror 80%	MR3M80RHC
6	Front Mirror 90%	MR3M90RHC

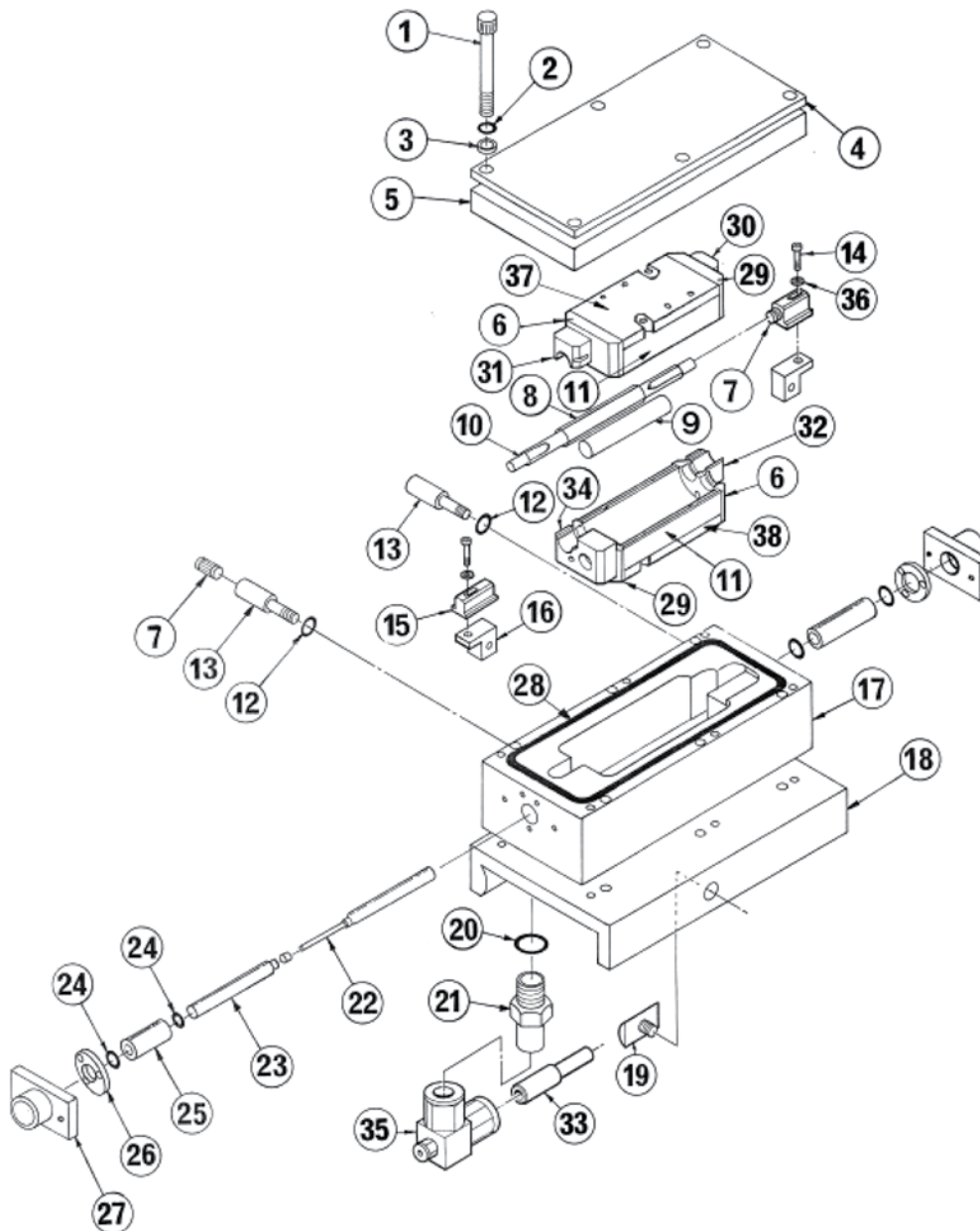
# LAMP PUMPED LASER HEADS

High performance and reliability

## Part No: CHBA7180/C

REFERENCE	ITEM	PART NUMBER
7	Rear Mirror HR	MR3MI00RHC
8	Gold Lamp Band	LC708

Other consumables upon request.



Intelligent Solutions, Manufacturing & Development

# LAMP PUMPED LASER HEADS

High performance and reliability



## Part No: CHBA7183/C

**LASER SYSTEMS:** Lee Laser 718 TQ, Sahajanand Laser, 18W TEM00

**DESCRIPTION:** Single-Lamp Pumped Solid-State Laser Chamber used for processing diamonds.

### ASSEMBLIES:

REFERENCE	PART NUMBER	DESCRIPTION
1	ORK7183	O-Ring Kit
2	GC718	Gold Cavity Assembly, Complete (Less Teflon Light Shields)
3	GCA718	Gold Cavity Assembly, Complete (Includes Teflon Light Shields)
4	BA718	Head Block Assembly (Less Cavity, YAG Rod, Lamp & Carriage)
5	HBA718	Head Block Assembly (Less YAG Rod, Lamp & Carriage)
6	CHBA7183	Head Block Assembly, Complete (Less Carriage)
7	CHBA7183/C	Complete Head Block Assembly

**Part No: CHBA7183/C**

**LASER HEAD COMPONENTS:**

REFERENCE	PART NUMBER	DESCRIPTION
1	HB708	Head Bolt, Stainless Steel
2	H2	Stainless Steel Washer
3	HBW510	Nylon Washer
4	FIN718	Heat Sink, Aluminium
5	UHB718	Upper Head Block
6	CEP708L	Cavity End Plate, Left, Gold
7	LC708	Lamp Contact Band, Gold
8	LFT718	Lamp Flow Tube
9	RFT718	Rod Flow Tube, Doped
10	LL5028	Krypton Arc Lamp, 30 Amps
11	GCE718	Cavity Ellipse, Gold
12	ORK7183	O-Rings (Included in Kit)
13	HVP708	High Voltage Pin
14	LMBS555	Lamp, Mounting Block, Screw
15	LCB708	Lamp Contact Block
16	LTB708	Lamp Terminal Block
17	LHB718	Lower Head Block
18	LHC718	Lower Head Carriage
19	CLA500	Carriage Locking Assembly
20	ORK7183	O-Ring (Included in Kit)
21	WF049	Water Fitting 5/8" O.D., Stainless Steel
22	YR1173A	YAG Rod, 3 mm Dia, TEM <sub>00</sub> , Unmounted
23	YRA7183	YAG Rod Assembly, Mounted
24	ORK7183	O-Ring (Included in Kit)
25	RG708	Rod Guide
26	REC718	Rod End Cap
27	DB718	Dust Boot
28	ORK7183	O-Ring (Included in Kit)
29	CEP708R	Cavity End Plate, Right, Gold
30	LS708U	Teflon Light Shield, Upper (Sold as TLS708KIT)
31	TLS718U	Teflon Light Shield, Upper (Sold as TLS718KIT)
32	LS708L	Teflon Light Shield, Lower (Sold as TLS708KIT)
33	WF022	Water Fitting, Reducer 1/2" O.D.
34	TLS718L	Teflon Light Shield, Lower (Sold as TLS718KIT)
35	WF016/2	Elbow Fitting 5/8" Nylon, Q-Switch Barb
36	H79	Stainless Steel Spilt Washer

**FREQUENTLY USED CONSUMABLES:**

REFERENCE	ITEM	PART NUMBER
1	Lamp, 30Amp	LL5028
2	Lamp Flow Tube	LFT718
3	Rod Flow Tube	RFT718
4	Front Mirror 80% R	MR3M80RHC
5	Rear Mirror HR	MR3M100RHC
6	DF Cartridge	D700

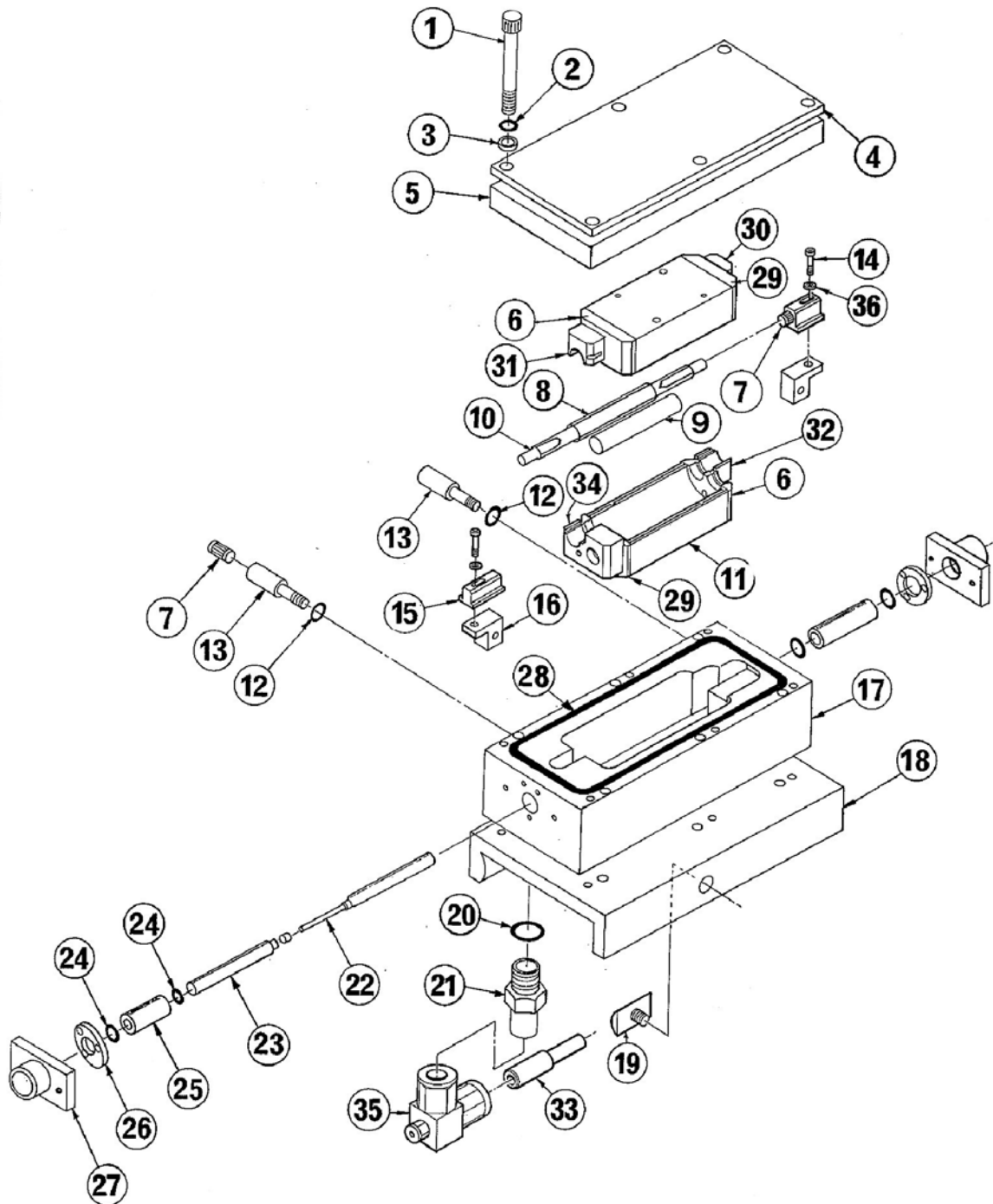
Other consumables upon request.



# LAMP PUMPED LASER HEADS

High performance and reliability

Part No: CHBA7183/C



# LAMP PUMPED LASER HEADS

High performance and reliability



**Part No: CHBA7184/C**

**LASER SYSTEMS:** Sahajanand Laser, Photon Technology, 16W TEM<sub>00</sub> @ 4kHz

**DESCRIPTION:** Single-Lamp Pumped Solid-State Laser Chamber used for processing diamonds.

## ASSEMBLIES:

REFERENCE	PART NUMBER	DESCRIPTION
1	ORK718	O-Ring Kit
2	GC718	Gold Cavity Assembly, Complete (Less Teflon Light Shields)
3	GCA718	Gold Cavity Assembly, Complete (Includes Teflon Light Shields)
4	BA718	Head Block Assembly (Less Cavity, YAG Rod, Lamp & Carriage)
5	HBA718	Head Block Assembly (Less YAG Rod, Lamp & Carriage)
6	CHBA7184	Head Block Assembly, Complete (Less Carriage)
7	CHBA7184/C	Complete Head Block Assembly

# Part No: CHBA7184/C

## LASER HEAD COMPONENTS:

REFERENCE	PART NUMBER	DESCRIPTION
1	HB708	Head Bolt, Stainless Steel
2	H2	Stainless Steel Washer
3	HBW510	Nylon Washer
4	FIN718	Heat Sink, Aluminium
5	UHB718	Upper Head Block
6	CEP708L	Cavity End Plate, Left, Gold
7	LC708	Lamp Contact Band, Gold
8	LFT718	Lamp Flow Tube
9	RFT718	Rod Flow Tube, Doped
10	LL5028	Krypton Arc Lamp, 30 Amps
11	GCE718	Cavity Ellipse, Gold
12	ORK718	O-Rings (Included in Kit)
13	HVP708	High Voltage Pin
14	LMBS555	Lamp Mounting Block Screw
15	LCB708	Lamp Contact Block
16	LTB708	Lamp Terminal Block
17	LHB718	Lower Head Block
18	LHC718	Lower Head Carriage
19	CLA500	Carriage Locking Assembly
20	ORK718	O-Ring (Included in Kit)
21	WF049	Water Fitting 5/8" O.D., Stainless Steel
22	YR425	YAG Rod, 4 mm Dia, TEM <sub>00</sub> , Unmounted
23	YRA425	YAG Rod Assembly, Mounted, TEM <sub>00</sub>
24	ORK718	O-Ring (Included in Kit)
25	RG708	Rod Guide
26	REC718	Rod End Cap
27	DB718	Dust Boot
28	ORK718	O-Ring (Included in Kit)
29	CEP708R	Cavity End Plate, Right, Gold
30	LS708U	Teflon Light Shield, Upper (Sold as TLS708KIT)
31	TLS718U	Teflon Light Shield, Upper (Sold as TLS718KIT)
32	LS708L	Teflon Light Shield, Lower (Sold as TLS708KIT)
33	WF022	Water Fitting, Reducer 1/2" O.D.
34	TLS718L	Teflon Light Shield, Lower (Sold as TLS718KIT)
35	WF016/2	Elbow Fitting 5/8" Nylon, Q-Switch Barb
36	H79	Stainless Steel Spilt Washer

## FREQUENTLY USED CONSUMABLES:

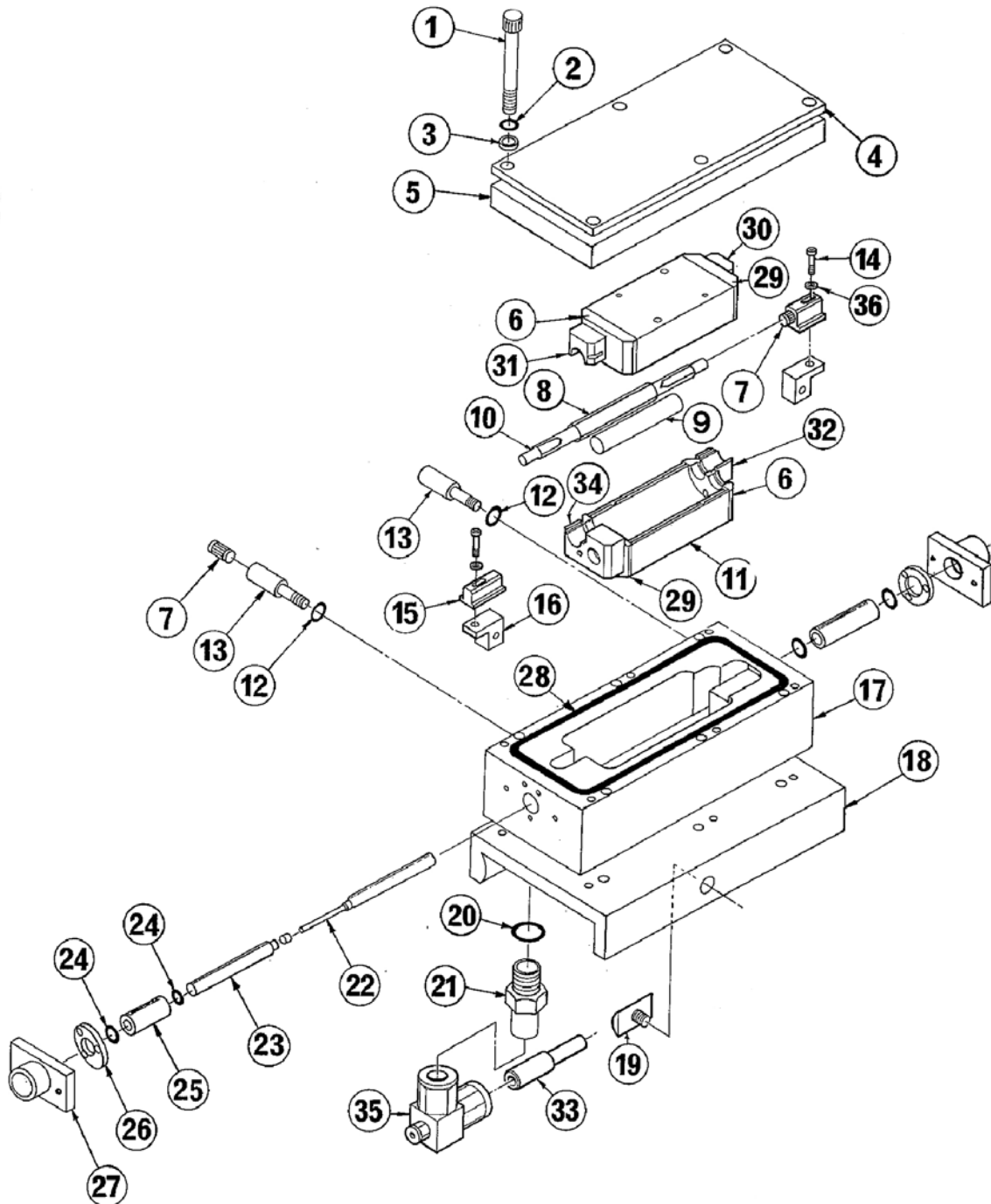
REFERENCE	ITEM	PART NUMBER
1	Lamp, 30 Amp	LL5028
2	Lamp Flow Tube	LFT718
3	Rod Flow Tube	RFT718
4	Front Mirror 80% R	MR3M80RHC
5	Rear Mirror HR	MR3MI00RHC

Other consumables upon request.

# LAMP PUMPED LASER HEADS

High performance and reliability

## Part No: CHBA7184/C



Intelligent Solutions, Manufacturing & Development

# LAMP PUMPED LASER HEADS

High performance and reliability



## Part No: CHBA8180/C

**LASER SYSTEMS:** Lee Laser Model 815; 818; 825; 825S; 825ST; General Scanning Hi-mark 400, HM800; HM6000, E.O. Technics

**DESCRIPTION:** Single-Lamp Pumped Solid-State Laser Chamber used for precision marking & engraving applications.

### ASSEMBLIES:

REFERENCE	PART NUMBER	DESCRIPTION
1	ORK818	O-Ring Kit
2	CC818	Ceramic Cavity Assembly, Complete (Less Teflon Light Shields)
3	CCA818	Ceramic Cavity Assembly, Complete (Includes Teflon Light Shields)
4	BA818	Head Block Assembly (Less Cavity, YAG Rod, Lamp & Carriage)
5	HBA8180	Head Block Assembly (Less YAG Rod, Lamp & Carriage)
6	CHBA8180	Head Block Assembly, Complete (Less Carriage), TEM <sub>00</sub>
7	CHBA8180/C	Complete Head Block Assembly

**Part No: CHBA8180/C**

**LASER HEAD COMPONENTS:**

REFERENCE	PART NUMBER	DESCRIPTION
1	HB708	Head Bolt, Stainless Steel
2	H2	Stainless Steel Washer
3	H4	Nylon Washer
4	FIN818	Heat Sink, Aluminium
5	UHB818	Upper Head Block
6	CEP818L	Cavity End Plate Left, Gold Plated
7	LC708	Lamp Contact Band, Gold
8	LFT718	Lamp Flow Tube
9	RFT818	Rod Flow Tube, Cerium Doped
10	LL9300	Krypton Arc Lamp, 30 Amps
11	CCE818	Cavity Ellipse, Ceramic
12	ORK818	O-Ring (Included in Kit)
13	HVP818	High Voltage Pin
14	LCB818R	Lamp Contact Block, Right
15	LCB818L	Lamp Contact Block, Left
16	LTB818L	Lamp Terminal Block, Left
17	LHB818	Lower Head Block
18	LHC818	Lower Head Carriage
19	CLA708	Carriage Locking Assembly
20	ORK818	O-Ring (Included in Kit)
21	WFO49	Water Fitting 5/8" O.D., Stainless Steel
22	YR715	YAG Rod, 4mm Dia., Unmounted
23	YRA815	YAG Rod Assembly, Mounted
24	ORK818	O-Ring (Included in Kit)
25	RG818	Rod Guide
26	REC818	Rod End Cap
27	DB700	Dust Boot
28	ORK818	O-Ring (Included in Kit)
29	CEP818R	Cavity End Plate, Gold, Right, Gold Plated
30	LS708U	Teflon Light Shield, Upper (Sold as TLS708KIT)
31	TLS718U	Teflon Light Shield, Upper (Sold as TLS718KIT)
32	LS708L	Teflon Light Shield, Lower (Sold as TLS708KIT)
33	LTB818R	Lamp Terminal Block, Right
34	TLS718L	Teflon Light Shield, Lower (Sold as TLS718KIT)
35	WF016	Elbow Fitting 5/8" Nylon, Q-Switch
36	LMB5555	Lamp Mounting Block Screw
37	WF022	Water Fitting Reducer, " O.D.
38	H79	Stainless Steel Spilt Washer
39	CSP818/1	Cavity Support Plate, Upper
40	CSP818/2	Cavity Support Plate, Lower

**FREQUENTLY USED CONSUMABLES:**

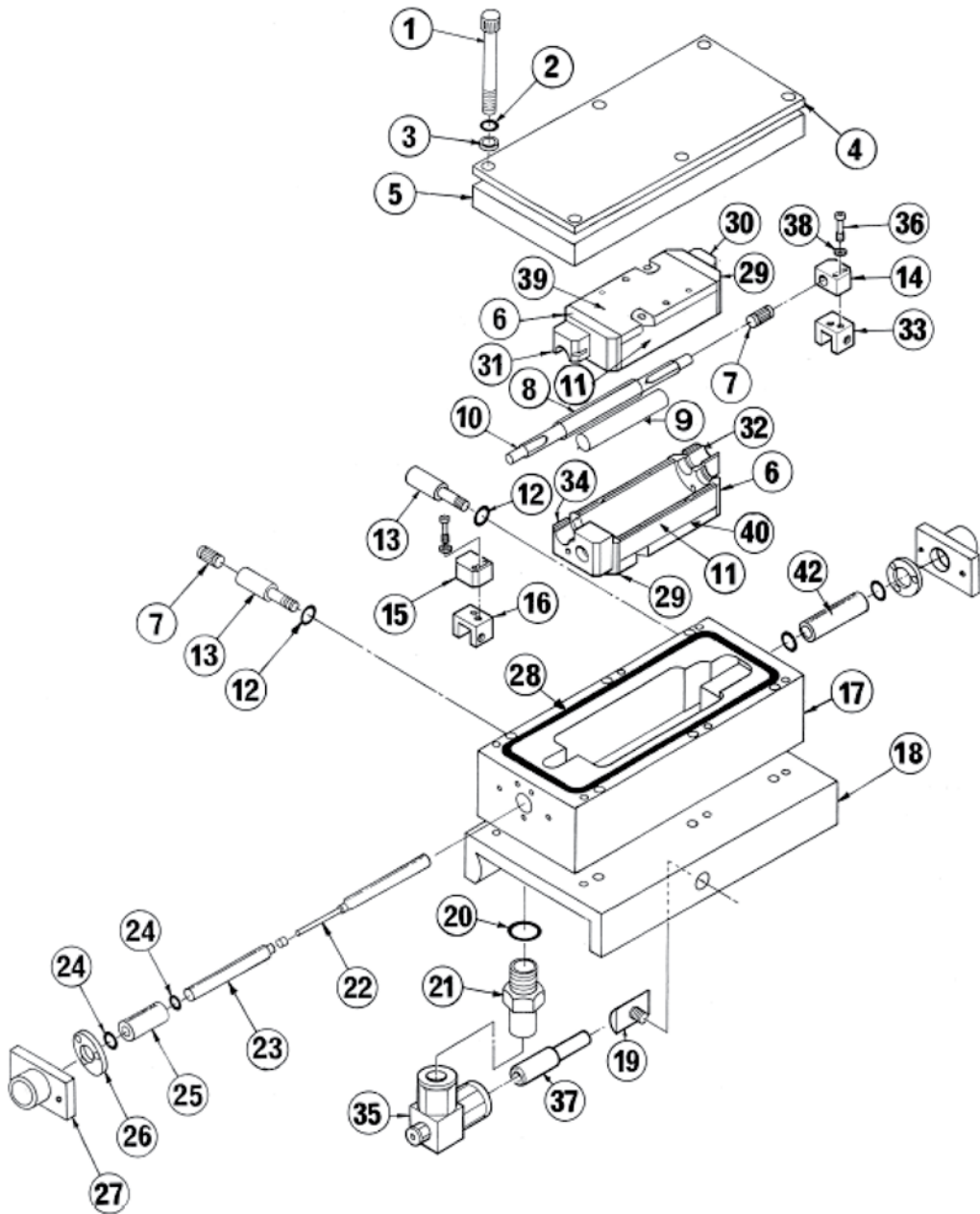
REFERENCE	ITEM	PART NUMBER
1	Gold Lamp Band	LC708
2	Front Mirror 80%	MR3M80RHC
3	Front Mirror HR	MR3MI00RHC
4	DI Cartridge	D700

Other consumables upon request.

# LAMP PUMPED LASER HEADS

High performance and reliability

Part No: CHBA8180/C



# LAMP PUMPED LASER HEADS

High performance and reliability



**Part No: CHBA8183/C**

**LASER SYSTEMS:** Lee Laser Model 818TQ, Sahajanand Lasers

**DESCRIPTION:** Single-Lamp Pumped Solid-State Laser Chamber used for diamond processing.

## ASSEMBLIES:

REFERENCE	PART NUMBER	DESCRIPTION
1	ORK8183	O-Ring Kit, 3 mm Rod
2	GC818	Gold Cavity Assembly, Complete (Less Teflon Light Shields)
3	GCA818	Gold Cavity Assembly, Complete (Includes Teflon Light Shields)
4	BA818	Head Block Assembly (Less Cavity, YAG Rod, Lamp & Carriage)
5	HBA818	Head Block Assembly (Less YAG Rod, Lamp & Carriage)
6	CHBA8183	Head Block Assembly, Complete (Less Carriage), 3 mm Rod, TEM <sub>00</sub>
7	CHBA8183/C	Complete Head Block Assembly, 3 mm Rod, TEM <sub>00</sub>



# Part No: CHBA8183/C

## LASER HEAD COMPONENTS:

REFERENCE	PART NUMBER	DESCRIPTION
1	HB708	Head Bolt, Stainless Steel
2	H2	Stainless Steel Washer
3	H4	Nylon Washer
4	FIN818	Heat Sink, Aluminium
5	UHB818	Upper Head Block
6	CEP818L	Cavity End Plate Left, Gold Plated
7	LC708	Lamp Contact Band, Gold
8	LFT718	Lamp Flow Tube
9	RFT818	Rod Flow Tube, Cerium Doped
10	LL5028	Krypton Arc Lamp, 30 Amps
11	GCE718	Cavity Ellipse, Gold Plated
12	ORK818	O-Ring (Included in Kit)
13	HVP818	High Voltage Pin
14	LCB818R	Lamp Contact Block, Right
15	LCB818L	Lamp Contact Block, Left
16	LTB818L	Lamp Terminal Block, Left
17	LHB818	Lower Head Block
18	LHC818	Lower Head Carriage
19	CLA500	Carriage Locking Assembly
20	ORK818	O-Ring (Included in Kit)
21	WF049	Water Fitting 5/8" O.D., Stainless Steel
22	YR1173B	YAG Rod, 3 mm Dia, Unmounted, TEM <sub>00</sub>
23	YRA818	YAG Rod Assembly, Mounted, TEM <sub>00</sub>
24	ORK818	O-Ring (Included in Kit)
25	RG818	Rod Guide
26	REC818	Rod End Cap
27	DB718	Dust Boot
28	ORK818	O-Ring (Included in Kit)
29	CEP818R	Cavity End Plate, Gold, Right, Gold Plated
30	LS708U	Teflon Light Shield, Upper
31	TLS718U	Teflon Light Shield, Upper
32	LS708L	Teflon Light Shield, Lower
33	LTB818R	Lamp Terminal Block, Right
34	TLS718L	Teflon Light Shield, Lower
35	WF016	Elbow Fitting 5/8" Nylon, Q-Switch
36	LMBS555	Lamp Mounting Block Screw
37	WF022	Water Fitting Reducer, " O.D.
38	H79	Stainless Steel Spilt Washer

## FREQUENTLY USED CONSUMABLES:

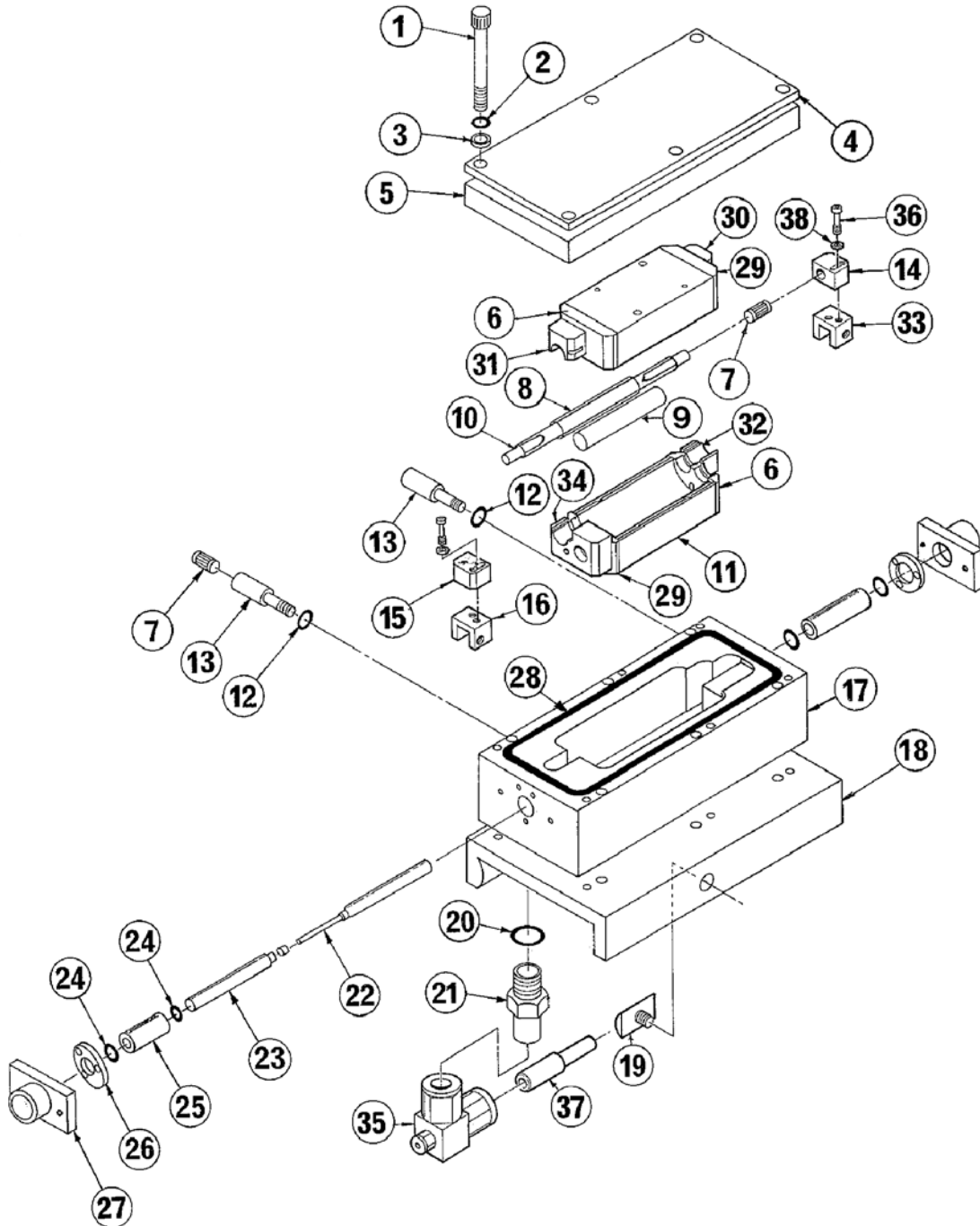
REFERENCE	ITEM	PART NUMBER
1	Front Mirror 80%	MR3M80RHC
2	Rear Mirror HR	MR3MI00RHC
3	DI Cartridge	D700

Other consumables upon request.

# LAMP PUMPED LASER HEADS

High performance and reliability

## Part No: CHBA8183/C



Intelligent Solutions, Manufacturing & Development

# LAMP PUMPED LASER HEADS

High performance and reliability



## Part No: CHBA8955, CHBA8956

**LASER SYSTEMS:** LASER S.O.S. 8955, 8956, Quantum Laser Maximark II, Lasit Fleximark & EasyMark & S.E.I. 120 W, Laser Innovation Emerald.

**DESCRIPTION:** Single Lamp Pumped Solid-State Laser Chamber used for precision marking and deep engraving.

### ASSEMBLIES:

REFERENCE	PART NUMBER	DESCRIPTION
1	ORK8955	O-Ring Kit 5 mm Rod
2	ORK8956	O-Ring Kit 6.355 mm Rod
3	GC530	Gold Cavity Assembly, Complete
4	BA950	Head Block Assembly (Less Cavity, YAG Rod, Lamp & Carriage)
5	HBA950	Head Block Assembly (Less YAG Rod, Lamp & Carriage)
6	CHBA8955	Complete Head Block Assembly (Less Carriage)
7	CHBA8956	Complete Head Block Assembly (Less Carriage)
8	CHBA8955/C	Complete Head Block Assembly, 5 mm Rod (120 W)
9	CHBA8956/C	Complete Head Block Assembly, 6.35 mm Rod (150 W)

Note: This laser head has been superseded by the CHBA9754 & CHBA9755 Series

## Part No: CHBA8955, CHBA8956

### LASER HEAD COMPONENTS:

REFERENCE	PART NUMBER	DESCRIPTION
1	HB530	Head Bolt, Stainless Steel
2	HBW510	Head Bolt Washer, Nylon
3	GCE530	Cavity Ellipse, Gold Plated
4	RFT530	Rod Flow Tube
5	LFT630	Lamp Flow Tube
6	LLQCW336	Krypton Arc Lamp, 35 Amps
8	CEP530L	Cavity End Plate, Left, Gold Plated
9	TLKIT5300	Teflon Light Shield Kit
10	ORT5MM	O-Ring, Teflon 5 mm Rod
11	CLA500	Carriage Locking Assembly
12	SEE KIT	O-Ring, Silicone (Included in Kit)
13	YR5108	YAG Rod, Crystal Only, 5 × 108 mm Rod
14	YRA955	YAG Rod Assembly, Mounted, 5 mm Rod
15	RG950	Rod Guide
16	WF041	Water Fitting, 12.7 mm, Stainless Steel
17	REC950	Rod End Cap
18	DB530	Dust Boot
19	WF021	Elbow Water Fitting, 1/2" for Q-Switch
20	WF012	Water Fitting 3/4" – 16 × 1/2"
21	LHB950	Lower Head Block
22	HVP258	High Voltage Pin
23	LVB5000	Lamp V-Block
24	LCA500	Lamp Clamp Assembly
25	CEP530R	Cavity End Plate, Right
26	UHB850	Upper Head Block
27	FIN800	Heat Sink, Aluminium
29	CC5000	Cable Cap
30	LHC800	Head Carriage
31	YR530	YAG Rod, Crystal Only, 6.35 × 105 mm Rod
32	YRA9525	YAG Rod Assembly, 6.35 mm Rod, Mounted
34	ORT250	O-Ring, Teflon, 6.35 mm Rod

### FREQUENTLY USED CONSUMABLES:

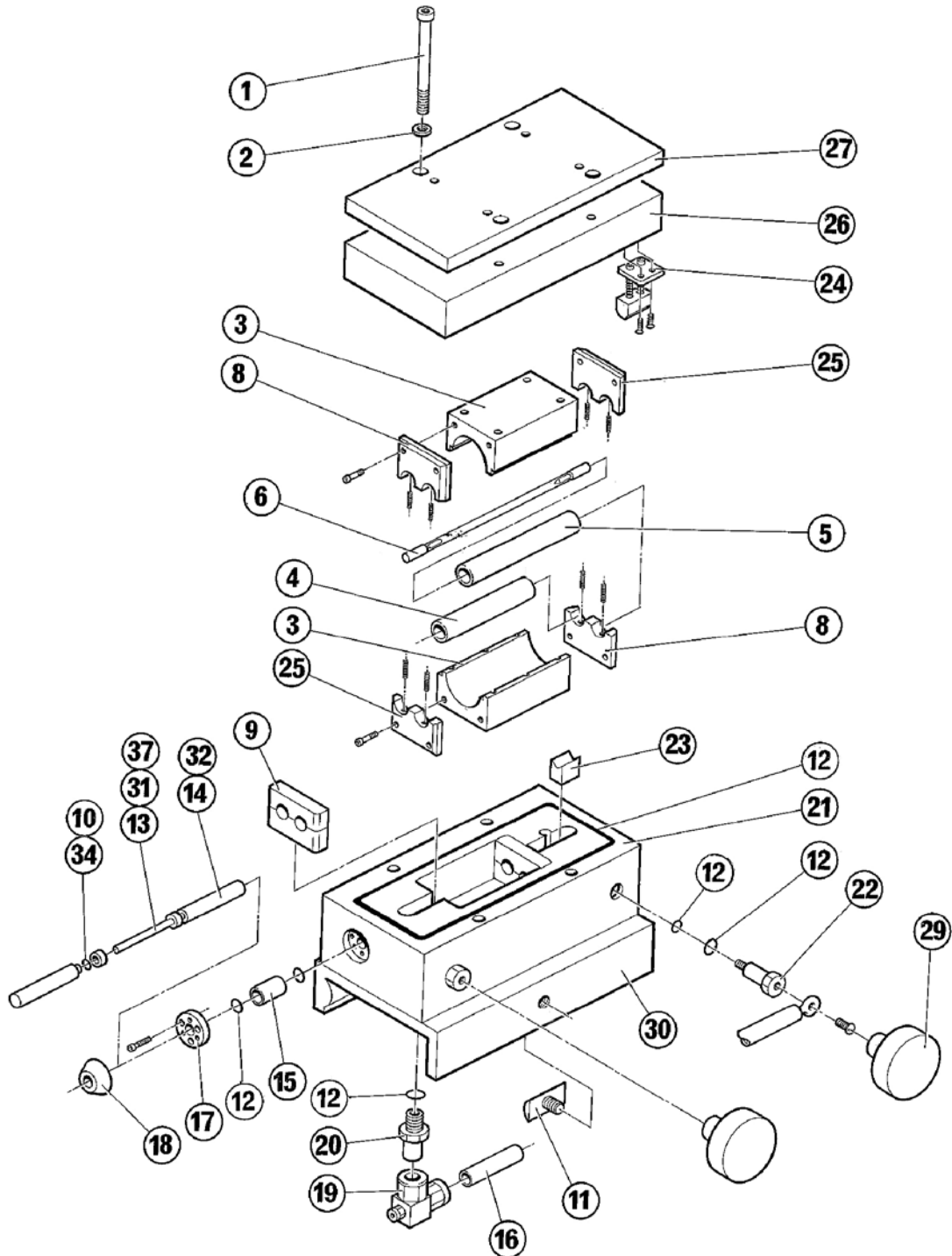
REFERENCE	ITEM	PART NUMBER
1	Lamp, 35 Amp	LLQCW336
2	Rod Flow Tube	RFT530
3	Lamp Flow Tube	LFT630
4	Front Mirror 80% R	MR3M80RHC
5	Rear Mirror HR	MR3M100RHC
6	Lamp V-Block	LVB5000

Other consumables upon request.

# LAMP PUMPED LASER HEADS

High performance and reliability

## Part No: CHBA8955, CHBA8956



# LAMP PUMPED LASER HEADS

High performance and reliability



**Part No: CHBA9555/C**

**LASER SYSTEMS:** Laser Applications 9555; Quantrad Blazer; Galaxy; Comet, 80W Multimode

**DESCRIPTION:** Single-Lamp Pumped Solid-State Laser Chamber used for precision marking & material processing applications.

## ASSEMBLIES:

REFERENCE	PART NUMBER	DESCRIPTION
1	ORK9555	O-Ring Kit
2	GC9555	Gold Cavity Assembly, Complete
3	BA9555	Head Block Assembly (Less Cavity, YAG Rod, Lamp & Carriage)
4	HBA9555	Head Block Assembly (Less YAG Rod, Lamp & Carriage)
5	CHBA9555	Head Block Assembly, Complete (Less Carriage)
6	CHBA9555/C	Complete Head Block Assembly

# Part No: CHBA9555/C

## LASER HEAD COMPONENTS:

REFERENCE	PART NUMBER	DESCRIPTION
1	HB510	Head Bolt, Stainless Steel
2	HBW510	Head Bolt Washer, Nylon
3	UHB9555	Upper Head Block
4	FIN9555	Heat Sink, Aluminium
5	CEP9555L	Cavity End Plate, Left Lower & Right Upper, Gold Plated
6	CEP9555R	Cavity End Plate, Lower Right & Upper Left, Gold Plated
7	GCE9555	Cavity Ellipse, Gold Plated
8	RFT9555	Rod Flow Tube
9	LFT9555	Lamp Flow Tube
10	LL550S	Krypton Arc Lamp, 40 Amps
11	LC570	Lamp Clip, Gold
12	LTB9555	Lamp Terminal Block
13	YRA9555	YAG Rod Assembly, Mounted
14	YR9555	YAG Rod 5 mm Dia, Unmounted
15	ORK9555	O-Ring, Silicone (Included in Kit)
16	RG9555	Rod Guide
17	REC9555	Rod End Cap
18	CC9560	Cable Cap, Insulator
19	CLA500	Carriage Locking Assembly
20	WF012	Water Fitting 3/4 – 1/2", Stainless Steel
21	LHB9555	Lower Head Block
22	LHC9555	Head Carriage
23	HVP9555	High Voltage Pin
24	WF021	Elbow Fitting 1/2" for Q-Switch

## FREQUENTLY USED CONSUMABLES:

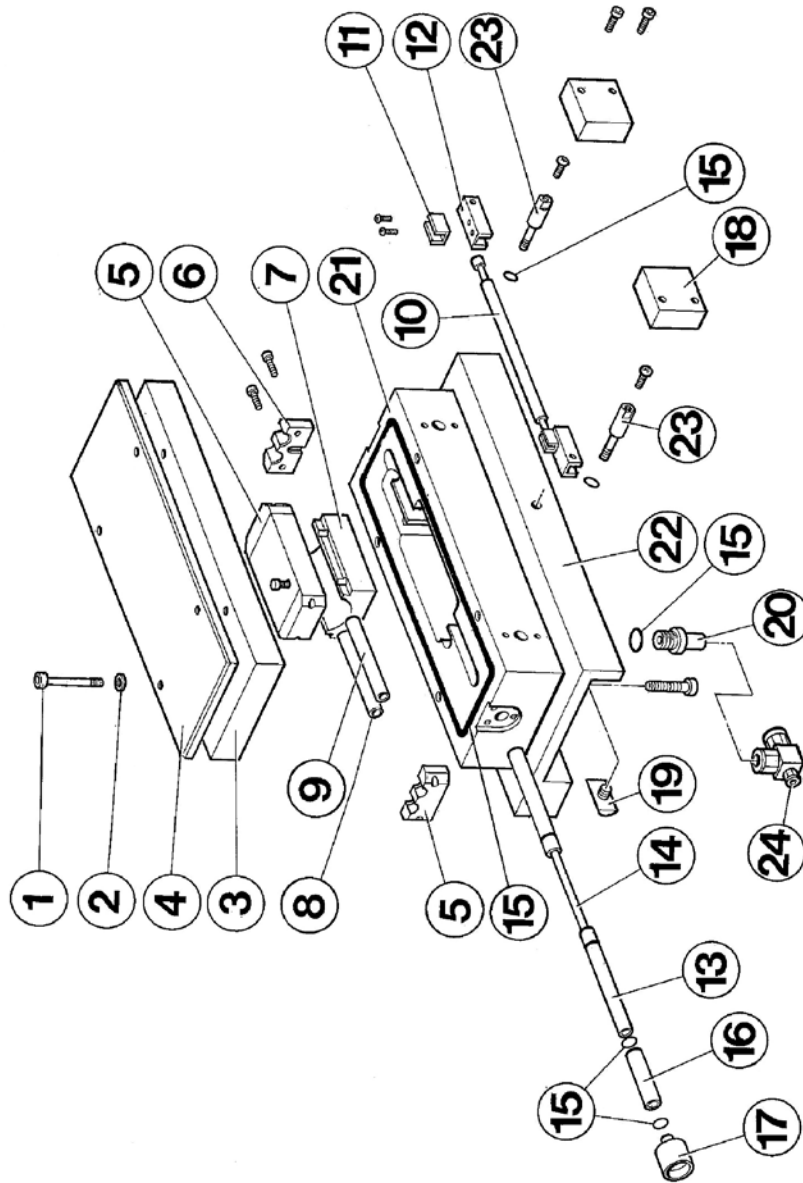
REFERENCE	ITEM	PART NUMBER
1	Lamp	LL550S
2	Lamp Clip, Gold	LC570
3	Rod Flow Tube	RFT9555
4	Lamp Flow Tube	LFT9555
5	Front Mirror 80% R	MR3M80RHC
6	Front Mirror 90% R	MR3M90RHC
7	Rear Mirror HR	MR3MI00RHC
8	DI Cartridge	D8832
9	Particle Filter, 10"	PF10

Other consumables upon request.

# LAMP PUMPED LASER HEADS

High performance and reliability

Part No: CHBA9555/C





# LAMP PUMPED LASER HEADS

High performance and reliability



## Part No: CHBA9560/C

**LASER SYSTEMS:** Laser Applications 9560; T.L.T. 800, 18W TEM<sub>00</sub>

**DESCRIPTION:** Single-Lamp Pumped Solid-State Laser Chamber used for laser trimming & diamond processing applications.

### ASSEMBLIES:

REFERENCE	PART NUMBER	DESCRIPTION
1	ORK9560	O-Ring Kit
2	GC9560	Gold Cavity Assembly, Complete
3	BA9560	Head Block Assembly (Less Cavity, YAG Rod, Lamp & Carriage)
4	HBA9560	Head Block Assembly (Less YAG Rod, Lamp & Carriage)
5	CHBA9560	Head Block Assembly, Complete (Less Carriage)
6	CHBA9560/C	Complete Head Block Assembly

## Part No: CHBA9560/C

### LASER HEAD COMPONENTS:

REFERENCE	PART NUMBER	DESCRIPTION
1	HB510	Head Bolt, Stainless Steel
2	HBW510	Head Bolt Washer, Nylon
3	UHB9560	Upper Head Block
4	FIN9555	Heat Sink, Aluminium
5	CEP9560L	Cavity End Plate, Left Lower & Right Upper, Gold Plated
6	CEP9560R	Cavity End Plate, Lower Right & Upper Left, Gold Plated
7	GCE9555	Cavity Ellipse, Gold Plated
8	RFT9560	Rod Flow Tube
9	LFT520X	Lamp Flow Tube
10	LL4491S	Krypton Arc Lamp, 40 Amps
11	LC570	Lamp Clip, Gold
12	LTB9560	Lamp Terminal Block
13	YRA512	YAG Rod Assembly, Mounted, TEM <sub>00</sub>
14	YR512A	YAG Rod 4 mm Dia, Unmounted, TEM <sub>00</sub>
15	ORK9560	O-Ring, Silicone (Included in Kit)
16	RG9560	Rod Guide
17	REC9560	Rod End Cap
18	CC9560	Cable Cap, Insulator
19	CLA500	Carriage Locking Assembly
20	WF012	Water Fitting 3/4 – 1/2", Stainless Steel
21	LHB9560	Lower Head Block
22	LHC9560	Head Carriage
23	HVP9560	High Voltage Pin
24	WF021	Elbow Fitting 1/2" for Q-Switch

### FREQUENTLY USED CONSUMABLES:

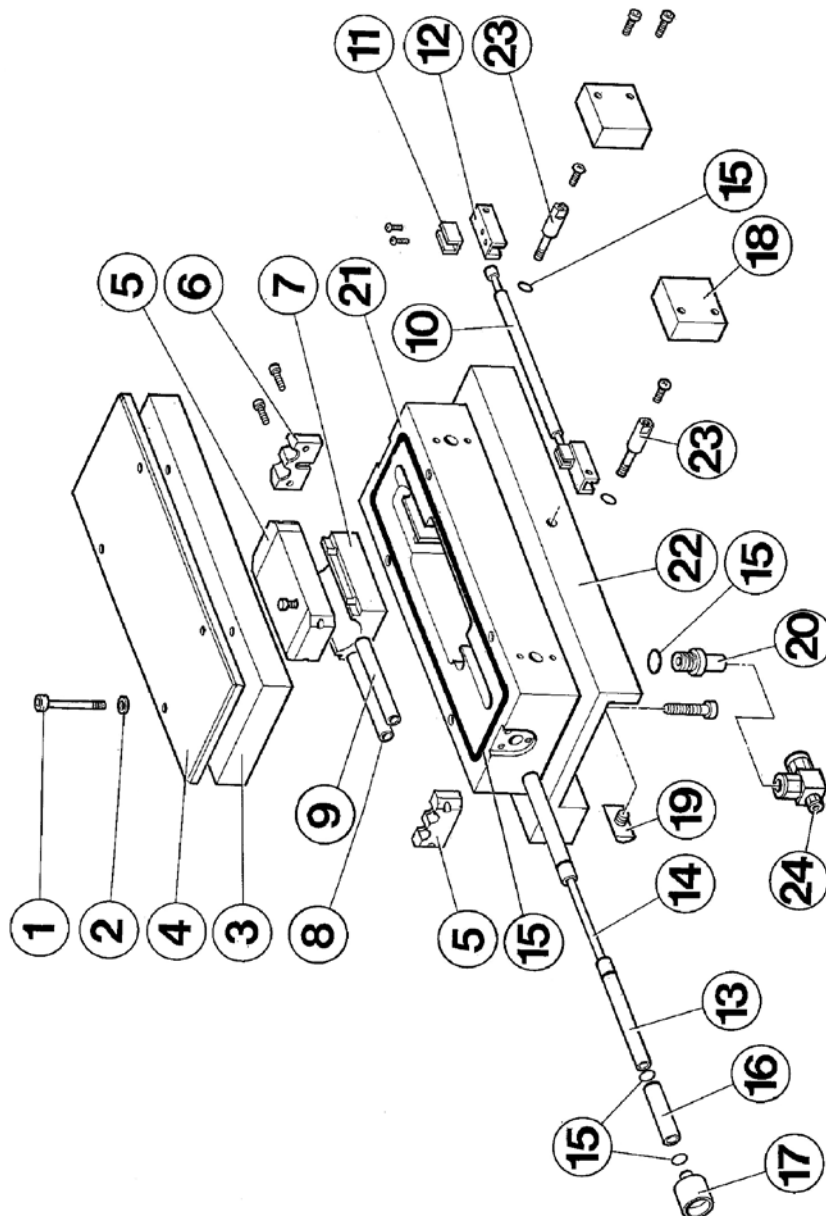
REFERENCE	ITEM	PART NUMBER
1	Lamp, 30 Amp	LL4491S
2	Lamp Clip, Gold	LC570
3	Rod Flow Tube	RFT9560
4	Lamp Flow Tube	LFT520X
5	Front Mirror 80% R	MR3M80RHC
6	Front Mirror 90% R	MR3M90RHC
7	Rear Mirror HR	MR3M100RHC
8	DI Cartridge	D8832
9	Particle Filter, 10"	PF10

Other consumables upon request.

# LAMP PUMPED LASER HEADS

High performance and reliability

Part No: CHBA9560/C



# LAMP PUMPED LASER HEADS

High performance and reliability



**Part No: CHBA9625/C**

**LASER SYSTEMS:** LASER S.O.S. Pulsed systems SOS9625/P35W, SOS9625/P60W, SOS9625/P120W, 35W to 120W Average Power

**DESCRIPTION:** Single Flash-Lamp Pumped Solid-State Laser Chamber used for precision spot welding & cutting applications.

## ASSEMBLIES:

Reference	Part Number	Description
1	ORK9625	O-Ring Kit 6.35 mm Rod
2	GC530	Gold Cavity Assembly, Complete
3	BA960	Head Block Assembly (Less Cavity, YAG Rod, Lamp & Carriage)
4	HBA960	Head Block Assembly (Less YAG Rod, Lamp & Carriage)
5	CHBA9625/P120W	Head Block Assembly (Less Carriage), 6.35 mm Rod Average Power = 120W Pulse, Energy = 60J, Peak Power = 4.3kW

# Part No: CHBA9625/C

## LASER HEAD COMPONENTS:

REFERENCE	PART NUMBER	DESCRIPTION
1	HB530	Head Bolt, Stainless Steel
2	HBW510	Head Bolt Washer, Nylon
3	GCE530	Cavity Ellipse, Gold Plated
4	RFT530	Rod Flow Tube
5	LFT630	Lamp Flow Tube
6	LLXF684	Xenon flash lamp, 6 mm bore
7	LLXF1045	Xenon flash lamp, 7 mm bore
8	CEP530L	Cavity End Plate, Left, Gold Plated
9	TLSKIT5300	Teflon Light Shield Kit
10	LLI160	Xenon flash lamp, 8 mm bore
11	CLA500	Carriage Locking Assembly
12	SEE KIT	O-Ring, Silicone (Included in Kit)
13	YR254	YAG Rod, Crystal Only, 6.35x105 mm Rod
14	YRA956	YAG Rod Assembly, Mounted, 6.35 mm Rod
15	RG950	Rod Guide
16	WF041	Water Fitting, 12.7 mm, Stainless Steel
17	REC950	Rod End Cap
18	DB530	Dust Boot
19	WF021	Elbow Water Fitting, 1/2"
20	WF012	Water Fitting 3/4" – 16 × 1/2"
21	LHB960	Lower Head Block
22	HVP960	High Voltage Pin
23	LTB960	Lamp Terminal Block
24	LCBA960L or R	Lamp Contact Block Assembly (includes lamp clip, L= Left, R=Right)
25	CEP530R	Cavity End Plate, Right
26	UHB960	Upper Head Block
27	FIN800	Heat Sink, Aluminium
28	SEE KIT	O-Ring, Silicone (Included in Kit)
29	CC960	High Voltage Cap
30	LHC800	Head Carriage
34	ORT250	O-Ring, Teflon, 6.35 mm Rod

## FREQUENTLY USED CONSUMABLES:

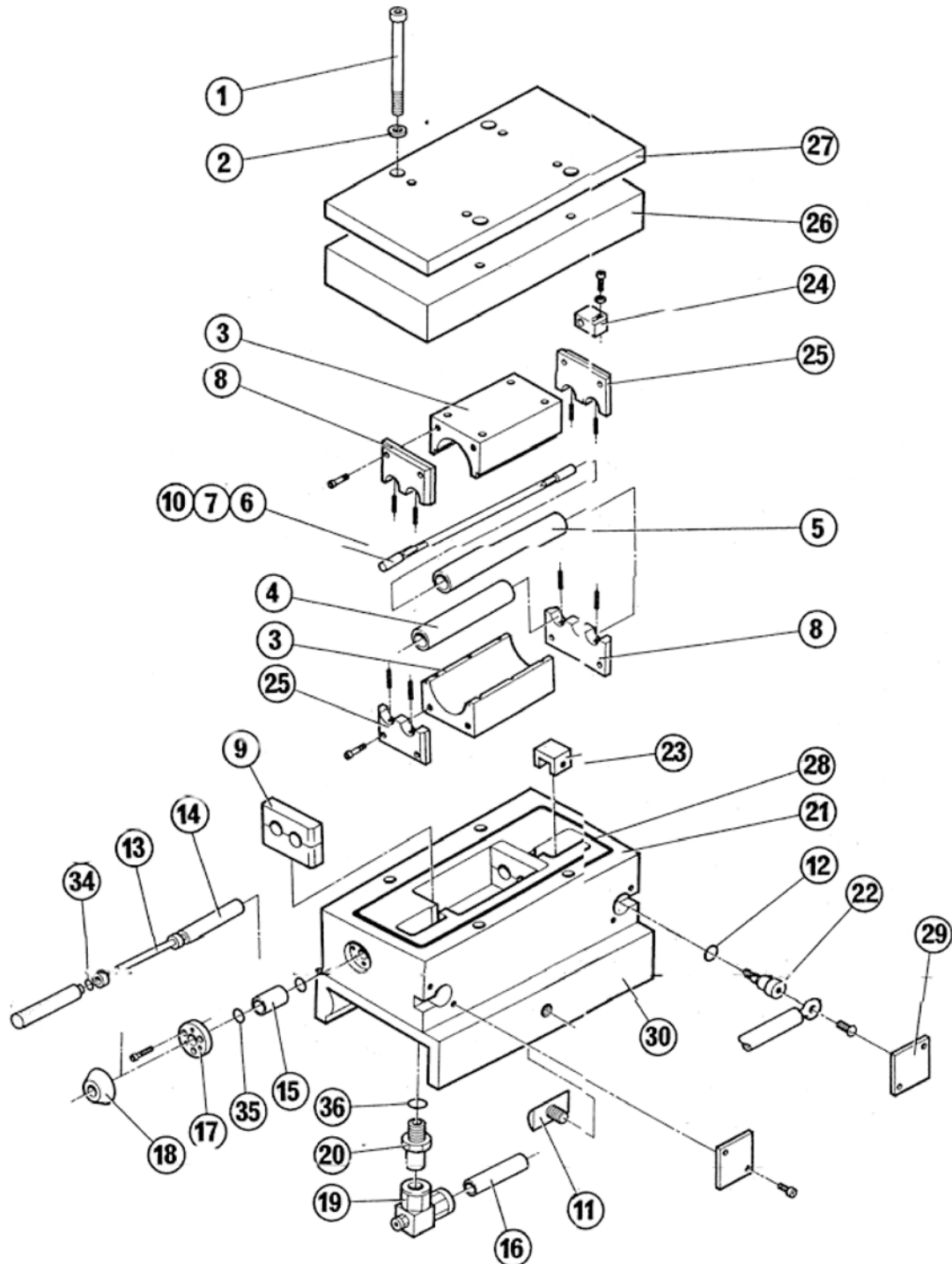
REFERENCE	ITEM	PART NUMBER
1	Flash Lamp 6 mm Bore	LLXF684
2	Lamp Flow Tube	LFT630
3	Rod Flow Tube	RFT530
4	Front Mirror 60%	MR3M60RHC
5	Flash Lamp 7 mm Bore	LLXF1045
6	Flash Lamp 8 mm Bore	LLI160
7	Rear Mirror HR	MR3M100R5MCCHC
8	DI Cartridge	DI50
9	Particle Filter	PF75

Other consumables upon request.

# LAMP PUMPED LASER HEADS

High performance and reliability

## Part No: CHBA9625/C



Intelligent Solutions, Manufacturing & Development

# LAMP PUMPED LASER HEADS

High performance and reliability



## Part No: CHBA9635/C, CHBA9645/C

**LASER SYSTEMS:** Laser SOS Model CHBA9635/C, 250–300W Multimode (9kW Lamp); Laser SOS Model CHBA9645/C, 350–400W Multimode (13kW Lamp)

**DESCRIPTION:** Single-Lamp Pumped Solid-State Laser Chamber used for marking, deep engraving applications, cutting and welding

### ASSEMBLIES:

REFERENCE	PART NUMBER	DESCRIPTION
1	ORK9635	O-Ring Kit 6.35 mm Rod
2	GC9000	Gold Cavity Assembly, Complete (Less Teflon Light Shields)
3	BA9000	Head Block Assembly (Less Cavity, YAG Rod, Lamp & Carriage)
4	HBA9000	Head Block Assembly (Less YAG Rod, Lamp & Carriage)
5	CHBA9000	Head Block Assembly, Complete (Less Carriage),
6	CHBA9000/C	Complete Head Block Assembly, 6.35 mm Rod
7	YRA25175	YAG Rod Assembly, Mounted, 6.35 mm Rod

**Part No: CHBA9635/C, CHBA9645/C**

**LASER HEAD COMPONENTS:**

REFERENCE	PART NUMBER	DESCRIPTION
1	HB530	Head Bolt, Stainless Steel
2	H5B	Head Bolt Washer, Stainless Steel
3	HBW510	Head Bolt Washer, Nylon
4	FIN9000	Heat Sink, Aluminium
5	UHB9000	Upper Head Block
6	GCE900	Cavity Ellipse, Gold Plated
7	CEP530R	Cavity End Plate, Right
8	CEP530L	Cavity End Plate, Left, Gold Plated
9	RFT9000	Rod Flow Tube
10	LFT9000	Lamp Flow Tube
13A	LL854	Krypton Arc Lamp, 40 Amps – 230Volts (9kW)
13B	LL4000	Krypton Arc Lamp, 50 Amps – 270Volts (13kW)
14	TLSKIT5300	Teflon Light Shield Kit
15	LCB818L	Lamp Clamp Assembly (LCB818R not shown)
16	LTB818L	Lamp Terminal Block (LTB818R not shown)
17	YR25175	YAG Rod, Crystal Only, 6.35 mm Rod
19	YRA25175	YAG Rod Assembly, Mounted, 6.35 mm Rod
21	DB9000WC	Dust Boot, Water Cooled
22	LC708	Lamp Clip
23	SEE KIT	O-Ring, (included in kit)
24	RG950	Rod Guide
25	SEE KIT	O-Ring, (included in kit)
26	ORT250	O-Ring, Teflon 6.35 mm Rod
28	LHB9000	Lower Head Block
29	LHC9000	Head Carriage
30	HVC800	Cable Cap
31	DOWTYSEAL	Water Sealing Ring
32	SEE KIT	O-Ring, (included in kit)
33	WF047	Water Fitting, Barbed
34	WF049	Water Fitting 3/4" – 16 × 1/2"
35	HVP776	High Voltage Pin
36	CLA500	Carriage Locking Assembly
37	WF016/1	Elbow Water Fitting, 5/8", Swagelok
38	WF016/2	Elbow Water Fitting, 5/8", Barbed
39	WFO16	Elbow Water Fitting, 5/8", No QS
40	WF022	Water Fitting, 5/8", Stainless Steel

**FREQUENTLY USED CONSUMABLES:**

REFERENCE	ITEM	PART NUMBER
1A	Lamp, 40Amp	LL854, 40 Amp – 230 Volts (9kW)
1B	Lamp, 50Amp	LL4000, 50 Amp – 270 Volts (13kW)
2	Lamp Flow Tube	LFT9000
3	Rod Flow Tube	RFT9000
4	DI Cartridge	DII50
5	Front Mirror 80%	MR3M80RHC
6	Front Mirror 90%	MR3M90RHC
7	Rear Mirror HR	MR3MI00RHC

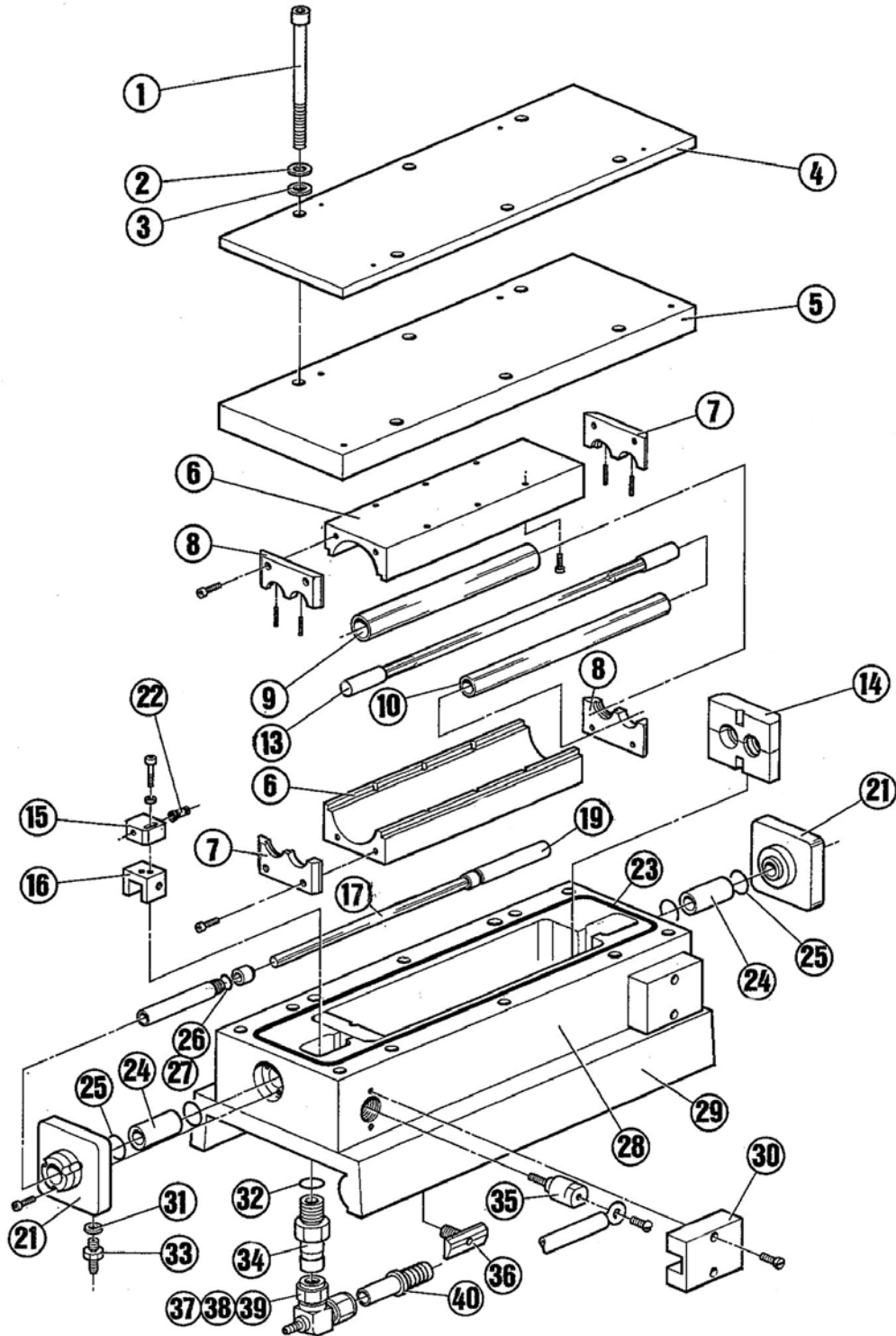
Other consumables upon request.



# LAMP PUMPED LASER HEADS

High performance and reliability

Part No: CHBA9635/C, CHBA9645/C



# LAMP PUMPED LASER HEADS

High performance and reliability



## Part No: CHBA9725, CHBA9754, CHBA9755

**LASER SYSTEMS:** LASER S.O.S. 9754, 9755, 9725 Series, Lasit FlexiMark & EasyMark, 80 W, 120 W, 150 W

**DESCRIPTION:** Single Flash-Lamp Pumped Solid-State Laser Chamber used for precision marking, engraving, welding & cutting.

### ASSEMBLIES:

Reference	Part Number	Description
1	ORK9754	O-Ring Kit 4 mm Rod
2	ORK9755	O-Ring Kit 5 mm Rod
3	ORK9725	O-Ring Kit 6.35 mm Rod
4	GC530	Gold Cavity Assembly, Complete
5	BA960	Head Block Assembly (Less Cavity, YAG Rod, Lamp & Carriage)
6	HBA960	Head Block Assembly (Less YAG Rod, Lamp & Carriage)
7	CHBA9754	Complete Head Block Assembly (Less Carriage) 4 mm Rod (80 W CW)
8	CHBA9755	Complete Head Block Assembly (Less Carriage) 5 mm Rod (120 W CW)
9	CHBA9725	Complete Head Block Assembly (Less Carriage) 6.35 mm Rod (150 W CW)
10	CHBA9754/C	Complete Head Block Assembly, 4 mm Rod (80 W CW)
11	CHBA9755/C	Complete Head Block Assembly, 5 mm Rod (120 W CW)
12	CHBA9725/C	Complete Head Block Assembly, 6.35 mm Rod (150 W CW)

# Part No: CHBA9725, CHBA9754, CHBA9755

## LASER HEAD COMPONENTS:

REFERENCE	PART NUMBER	DESCRIPTION
1	HB530	Head Bolt, Stainless Steel
2	HBW510	Head Bolt Washer, Nylon
3	GCE530	Cavity Ellipse, Gold Plated
4	RFT530	Rod Flow Tube
5	LFT630	Lamp Flow Tube
6	LL218S	Krypton Arc Lamp, 30 Amps
7	LLQCW336	Krypton Arc Lamp, 35 Amps
8	CEP530L	Cavity End Plate, Left, Gold Plated
9	TLSKIT5300	Teflon Light Shield Kit
11	CLA500	Carriage Locking Assembly
12	SEE KIT	O-Ring, Silicone (Included in Kit)
13	YR530	YAG Rod, Crystal Only, 6.35 × 105 mm Rod
14	YRA9525	YAG Rod Assembly, Mounted, 6.35 mm Rod
15	RG950	Rod Guide
16	WF041	Water Fitting, 12.7 mm, Stainless Steel
17	REC950	Rod End Cap
18	DB530	Dust Boot
19	WF021	Elbow Water Fitting, 1/2"
20	WF012	Water Fitting 3/4" – 16 × 1/2"
21	LHB960	Lower Head Block
22	HVP960	High Voltage Pin
23	LTB960	Lamp Terminal Block
24	LCBA960L or R	Lamp Contact Block Assembly (includes lamp clip, L= Left, R=Right)
25	CEP530R	Cavity End Plate, Right
26	UHB960	Upper Head Block
27	FIN800	Heat Sink, Aluminium
28	SEE KIT	O-Ring, Silicone (Included in Kit)
29	CC960	High Voltage Cap
30	LHC800	Head Carriage
31	YR5108	YAG Rod, Crystal Only, 5 × 108 mm Rod
32	YRA955	YAG Rod Assembly, 5 mm Rod, Mounted
33A	YRA954	YAG Rod Assembly, 4 mm Rod, Mounted, Multimode
33B	YRA9540	YAG Rod Assembly, 4 mm Rod, Mounted, TEMoo
34	ORT250	O-Ring, Teflon, 6.35 mm Rod
35	SEE KIT	O-Ring, Silicone (Included in Kit)
36	SEE KIT	O-Ring, Silicone (Included in Kit)
37A	YR715	YAG Rod, Crystal Only, 4 × 108 mm Rod, Multimode
37B	YR718	YAG Rod, Crystal Only, 4 × 108 mm Rod, TEMoo
38	ORT5MM	O-Ring, Teflon, 5 mm Rod
39	ORT4MM	O-Ring, Teflon, 4 mm Rod

## FREQUENTLY USED CONSUMABLES:

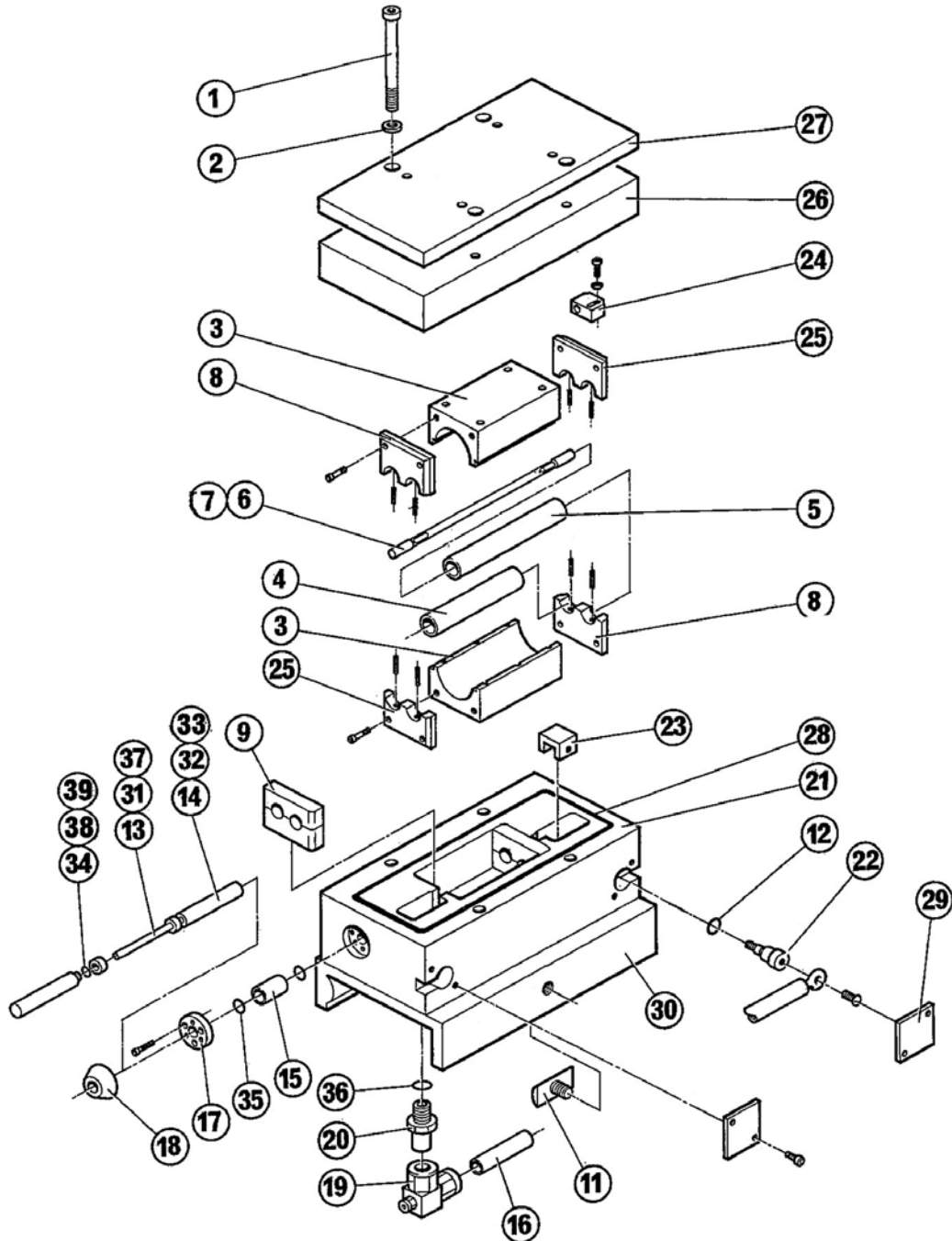
REFERENCE	ITEM	PART NUMBER
1	Lamp, 30 Amp	LL218S, 30Amps
2	Lamp, 35 Amp	LLQCW336, 35Amps
3	Rod Flow Tube	RFT530
4	Lamp Flow Tube	LFT630
5	Front Mirror 80% R	MR3M80RHC
6	Rear Mirror HR	MR3MI00RHC

Other consumables upon request.

# LAMP PUMPED LASER HEADS

High performance and reliability

Part No: CHBA9725, CHBA9754, CHBA9755



Intelligent Solutions, Manufacturing & Development

# LAMP PUMPED LASER HEADS

High performance and reliability



## Part No: CHBA9800/C

**LASER SYSTEMS:** Laser SOS Model SOS500WQSS, 500 Watt Multimode

**DESCRIPTION:** Single-Lamp Pumped Solid-State Laser Chamber used for marking, deep engraving applications, cutting and welding

### ASSEMBLIES:

REFERENCE	PART NUMBER	DESCRIPTION
1	ORK9800	O-Ring Kit 8mm Rod
2	GC9000	Gold Cavity Assembly, Complete (Less Teflon Light Shields)
3	BA9800	Head Block Assembly (Less Cavity, YAG Rod, Lamp & Carriage)
4	HBA9800	Head Block Assembly (Less YAG Rod, Lamp & Carriage)
5	CHBA9800	Head Block Assembly, Complete (Less Carriage),
6	CHBA9800/C	Complete Head Block Assembly, 8mm Rod
7	YRA8178	YAG Rod Assembly, Mounted, 8mm Rod

## Part No: CHBA9800/C

### LASER HEAD COMPONENTS:

REFERENCE	PART NUMBER	DESCRIPTION
1	HB530	Head Bolt, Stainless Steel
2	H5B	Head Bolt Washer, Stainless Steel
3	HBW510	Head Bolt Washer, Nylon
4	FIN9000	Heat Sink, Aluminium
5	UHB9000	Upper Head Block
6	GCE900	Cavity Ellipse, Gold Plated
7	CEP530R	Cavity End Plate, Right
8	CEP530L	Cavity End Plate, Left, Gold Plated
9	RFT9800SM	Rod Flow Tube, Doped
10	LFT9000	Lamp Flow Tube
13	LL8000	Krypton Arc Lamp, 50A-255V
14	TLSKIT9800	Teflon Light Shield Kit
15	LCB818L	Lamp Clamp Assembly (LCB818R not shown)
16	LTB818L	Lamp Terminal Block (LTB818R not shown)
17	YR8178	YAG Rod, Crystal Only, 6.35mm Rod
19	YRA8178	YAG Rod Assembly, Mounted, 6.35mm Rod
21	DB9800WC	Dust Boot, Water Cooled
22	LC708	Lamp Clip
23	SEE KIT	O-Ring, (included in kit)
24	RG9800	Rod Guide
25	SEE KIT	O-Ring, (included in kit)
26	ORT8MM	O-Ring, Teflon 8mm Rod
28	LHB9800	Lower Head Block
29	LHC9000	Head Carriage
30	HVC800	Cable Cap
31	DOWTYSEAL	Water Sealing Ring
32	SEE KIT	O-Ring, (included in kit)
33	WF047	Water Fitting, Barbed
34	WF049	Water Fitting 3/4" - 16 x 1/2"
35	HVP776	High Voltage Pin, Gold Plated
36	CLA500	Carriage Locking Assembly
37	WF016/1	Elbow Water Fitting, 5/8", Swagelok
38	WF016/2	Elbow Water Fitting, 5/8", Barbed
39	WFO16	Elbow Water Fitting, 5/8", No QS
40	WF022	Water Fitting, 5/8", Stainless Steel

### FREQUENTLY USED CONSUMABLES:

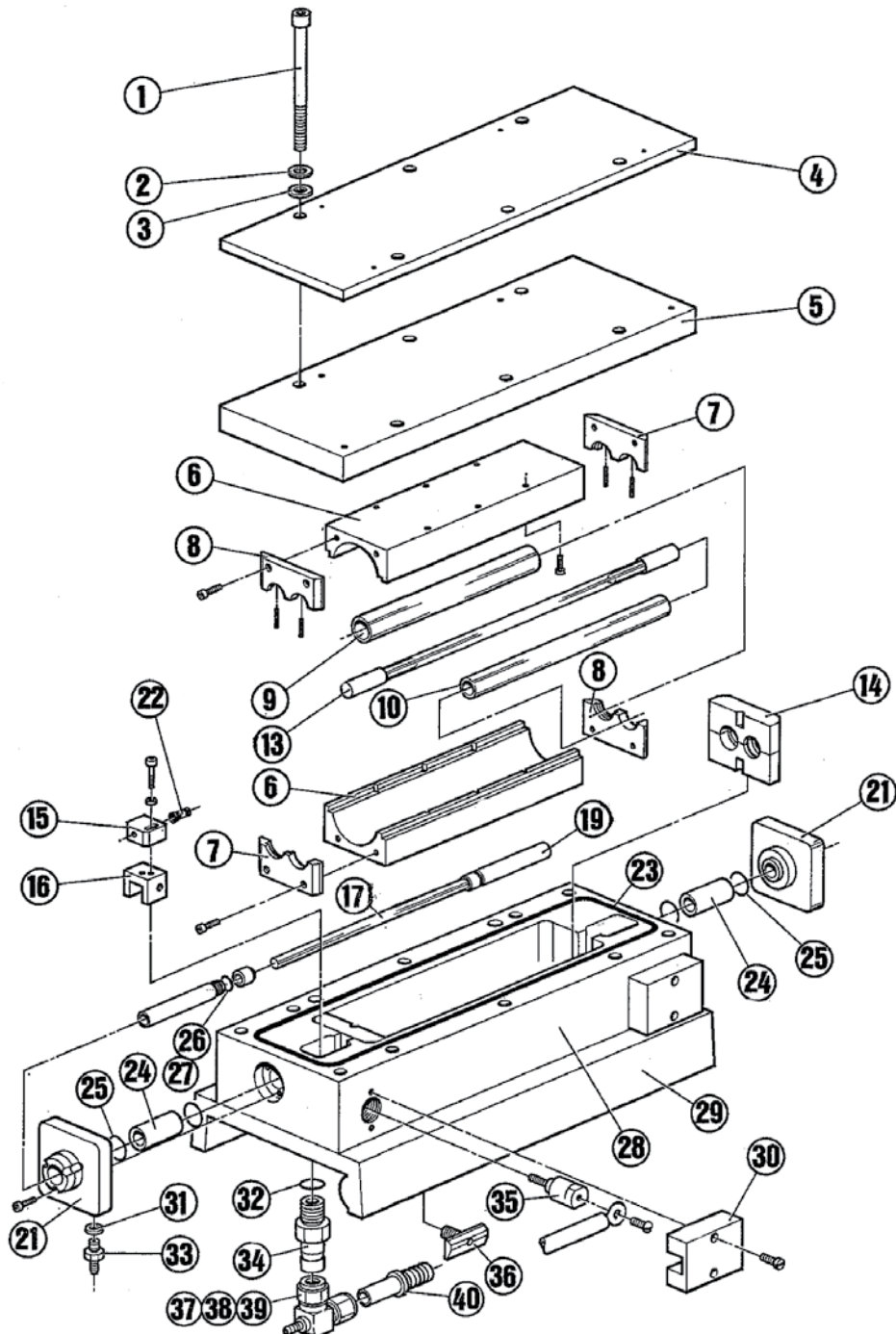
Reference	Item	Part Number
1	Lamp, 40Amp	LL854
2	Lamp Flow Tube	LFT9000
3	Rod Flow Tube	RFT9800SM
4	DI Cartridge	DII50
5	Front Mirror 80%	MR3M80RHC
6	Front Mirror 90%	MR3M90RHC
7	Rear Mirror HR	MR3MI00RHC

Other consumables upon request.

# LAMP PUMPED LASER HEADS

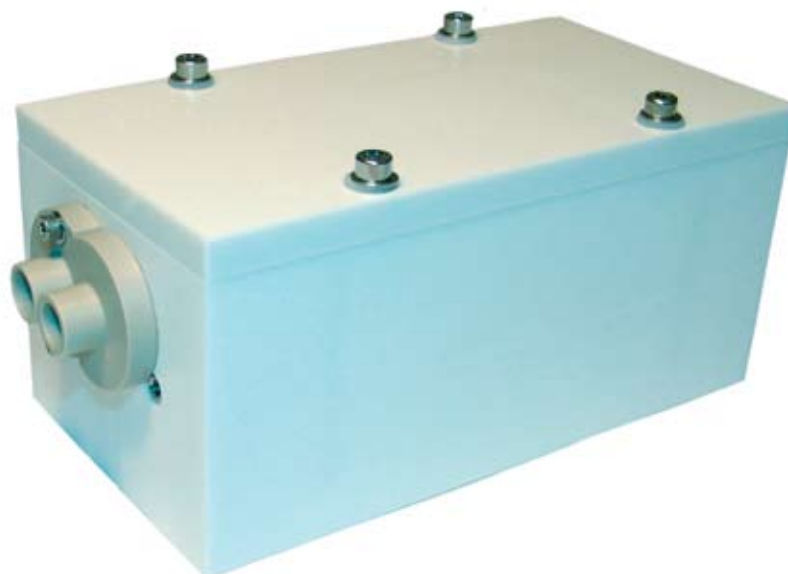
High performance and reliability

Part No: CHBA9800/C



# LAMP PUMPED LASER HEADS

High performance and reliability



**Part No: CHBAALS35S**

**LASER SYSTEMS:** Alpha 35S, SL50, SL50P, Siro ALS35S, Thunder, Thunderstorm, 80 Joules.

**DESCRIPTION:** Single-Lamp Pumped pulsed Solid-State Laser Chamber used for spot welding.

**ASSEMBLIES:**

REFERENCE	PART NUMBER	DESCRIPTION
1	ORKALS35	O-Ring Kit
2	GCALS35S	Gold Cavity Assembly, Complete
3	BAALS35S	Head Block Assembly (Less Cavity, YAG Rod & Lamp)
4	HBAALS35S	Head Block Assembly (Less YAG Rod & Lamp)
5	CHBAALS35S	Head Block Assembly, Complete



# Part No: CHBAALS35S

## LASER HEAD COMPONENTS:

REFERENCE	PART NUMBER	DESCRIPTION
1	UHBALS35S	Upper Head Block
2	GCEALS35S	Cavity Ellipse, Gold
3	CEPALS35ST	Cavity End Plate, Teflon
4	LLK394	Flash lamp, Krypton
5	FGALS35SP	Flow Plate
6	YRA254	YAG Rod Assembly, Mounted
7	YR254	YAG Rod, 6.35 mm Unmounted
8	ORT250	O-ring, Teflon
9	YRH812	YAG Rod Holder
10	ORS1043	O-Ring, Silicone
11	LPPALS35S	Lamp Pressure Plate
12	RECAL35S	Rod End Cap
13	LHBALS35S	Lower Head Block
14	WFALS35-16	Water Fitting, Barbed, 16 mm
15	WFALS35-13	Water Fitting, Barbed, 13 mm

## FREQUENTLY USED CONSUMABLES:

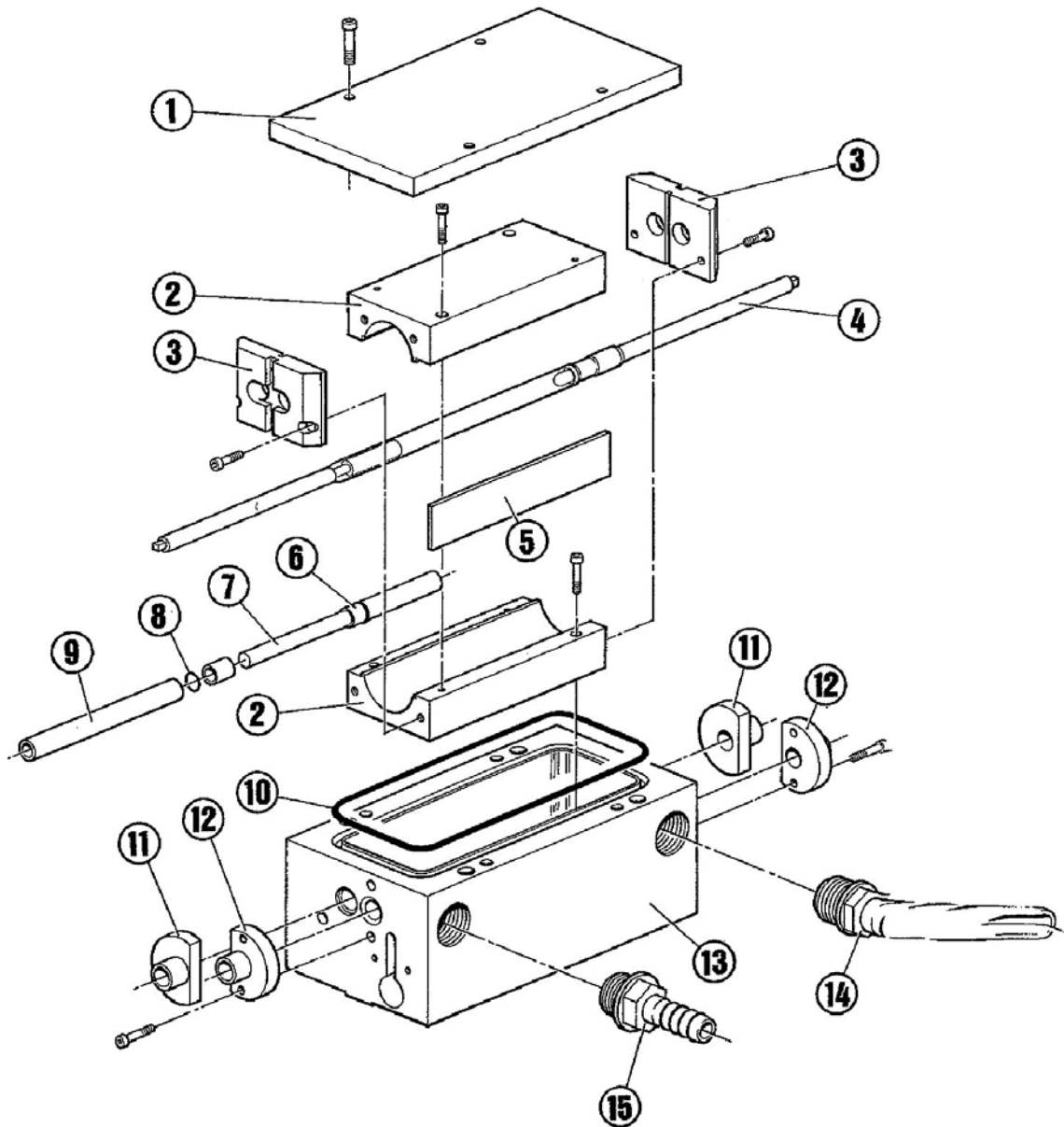
REFERENCE	ITEM	PART NUMBER
1	Lamp, Krypton	LLK394
2	Flow Plate	FGALS35SP
3	Front Mirror 35% R	MR17M35RHC
4	Rear Mirror HR	MR17M100RHC
5	Air Filter 170 × 133 × 120 mm	AFALS133
6	Air Filter 170 × 145 × 120 mm	AFALS145
7	DI Cartridge	D1008

Other consumables upon request.

# LAMP PUMPED LASER HEADS

High performance and reliability

## Part No: CHBAALS35S



Intelligent Solutions, Manufacturing & Development

# LAMP PUMPED LASER HEADS

High performance and reliability



## Part No: CHBAALS75

**LASER SYSTEMS:** Alpha SL75, SL75P, AL75, ALI00, ALVI00, ALWI00, ALMI50, Siro Tornado, Hurricane

**DESCRIPTION:** Dual-Flash Lamp Pumped Solid-State Laser Chamber used for precision spot welding applications.

### ASSEMBLIES:

REFERENCE	PART NUMBER	DESCRIPTION
1	ORKALS75	O-Ring Kit
2	GCALS75	Complete Gold Cavity Assembly
3	BAALS75	Head Block Assembly (Less Cavity, YAG Rod Assembly & Lamp)
4	HBAALS75	Head Block Assembly (Less YAG Rod Assembly & Lamp)
5	CHBAALS75	Complete Head Block Assembly

## Part No: CHBAALS75

### LASER HEAD COMPONENTS:

REFERENCE	PART NUMBER	DESCRIPTION
1	UHBALS75S	Upper Head Block
2	GCEALS75	Cavity Ellipse, Gold
3	CEPALS75G	Cavity End Plate, Gold
4	CEPALS75T	Cavity End Plate, Teflon
5	LLK394	Flash Lamp
6	FGALS75P	Flow Plate
7	YRA254	YAG Rod Assembly, Mounted
8	YR254	YAG Rod , 6.35 mm Unmounted
9	ORT250	O-Ring, Teflon
10	YRH812	YAG Rod Holder
11	ORS1163	O-Ring, Silicone
12	LPPALS75	Lamp Pressure Plate
13	RECAL75	Rod End Cap
14	LHBALS75	Lower Head Block

### FREQUENTLY USED CONSUMABLES:

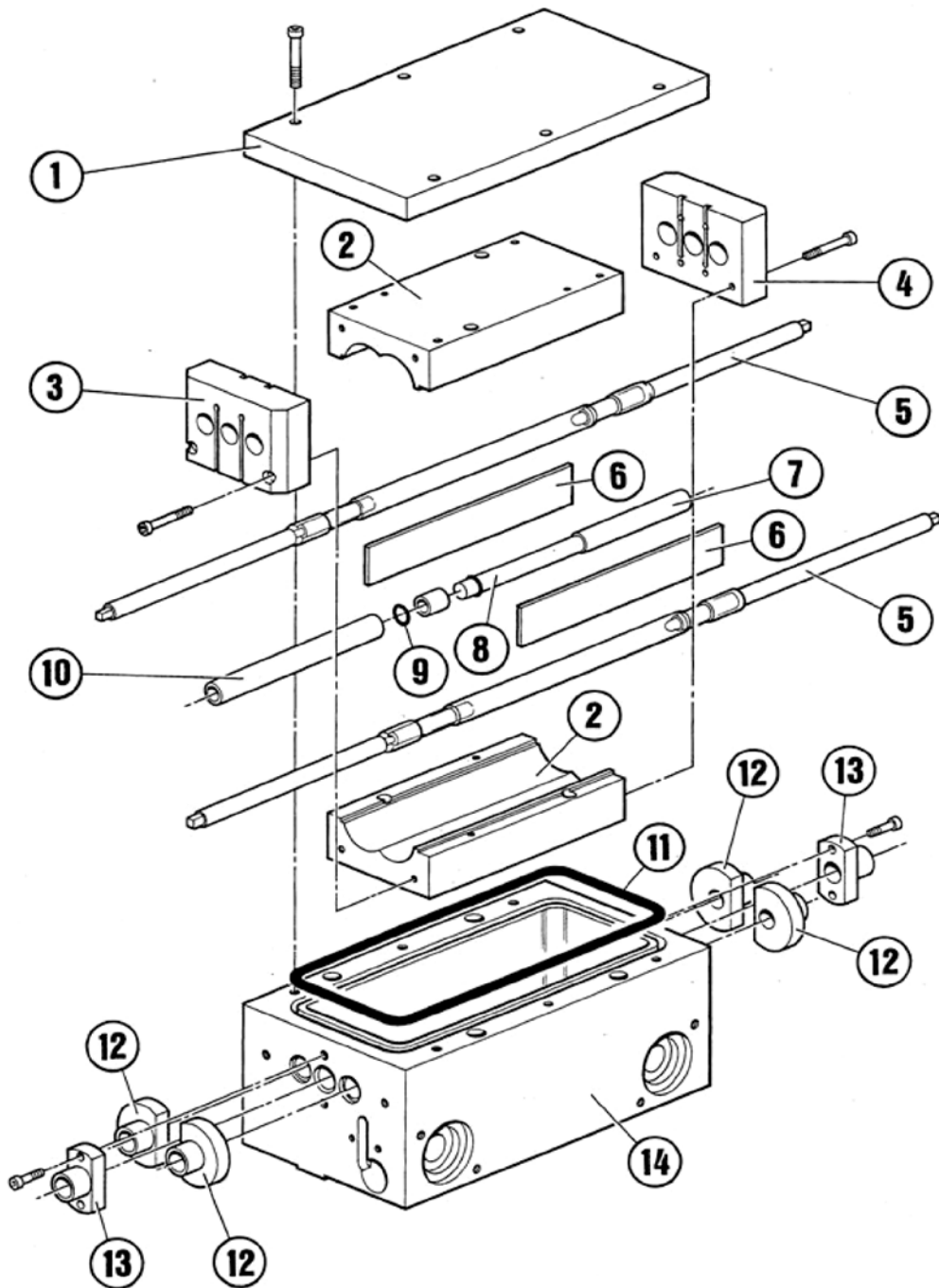
REFERENCE	ITEM	PART NUMBER
1	Flash Lamp	LLK394
2	Flow Plate	FGALS75P
3	O-Ring Kit	ORKALS75
4	Front Mirror 35%	MRI7M35RHC
5	Rear Mirror HR	MRI7M100RHC
6	Air Filter, 525 × 130 × 70 mm	AFALS75
7	DI Cartridge	D1008

Other consumables upon request.

# LAMP PUMPED LASER HEADS

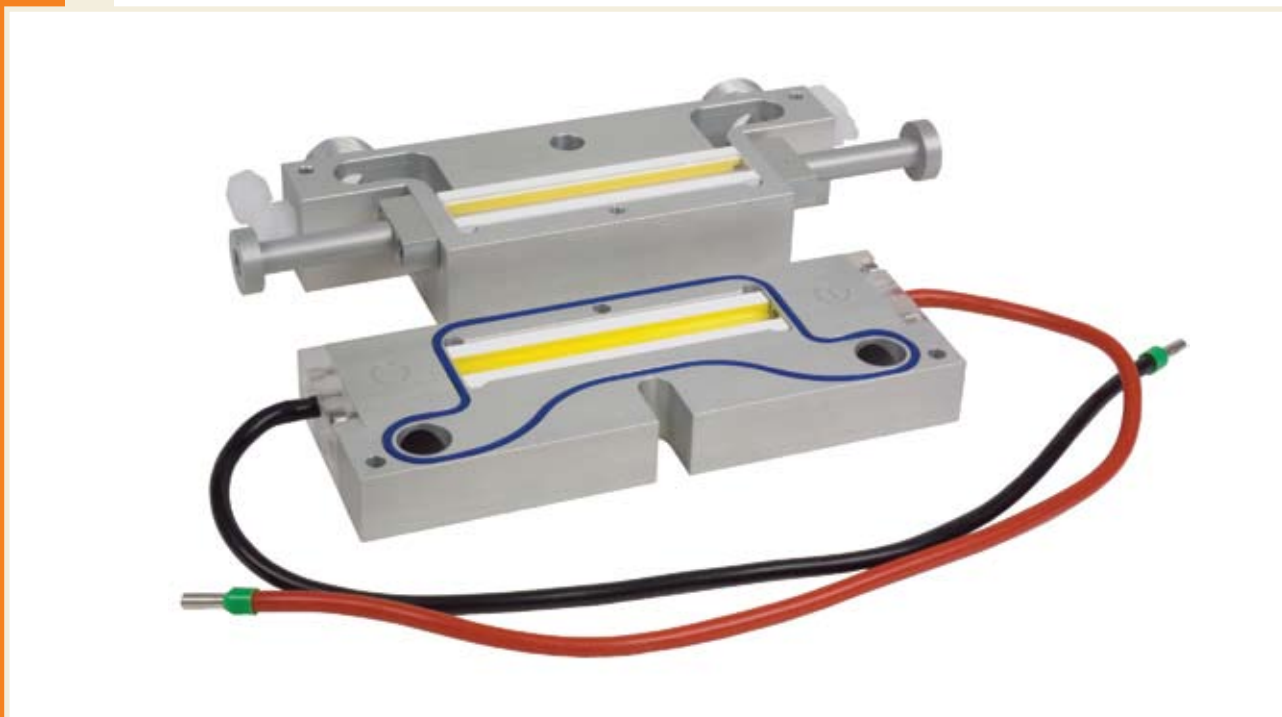
High performance and reliability

Part No: CHBAALS75



# LAMP PUMPED LASER HEADS

High performance and reliability



**Part No: CHBAFOBA100**

**LASER SYSTEMS:** Foba 90MK-DT, 94S, 100 Watt, Alltec LNI00W

**DESCRIPTION:** Single-Lamp Pumped Solid-State Laser Chamber used for precision marking and deep engraving applications.

## ASSEMBLIES:

Reference	Part Number	Description
1	ORKFOBA100	O-Ring Kit, FOBA # M49000
2	LHBACFOBA100	Lower Head Block Complete, Includes YAG Rod
3	UHBACFOBA100	Upper Head Block Complete, Includes YAG Rod
4	HBAFOBA100	Head Block Assembly Less Rod & Lamp
5	CHBAFOBA100	Complete Head Block Assembly

# Part No: CHBAFOBA100

## LASER HEAD COMPONENTS:

REFERENCE	PART NUMBER	DESCRIPTION
1	LPPFOBA100	Lamp Pressure Plate (FOBA # M33050)
2	UHBFOBA100	Upper Head Block (FOBA # M31050)
3	CCEFOBA100U	Ceramic Cavity, Upper (FOBA # 034120)
4	FG101123	Flow Plate, (FOBA # 032510)
5	CCEFOBA100L	Ceramic Cavity, Lower, (FOBA # 034100)
6	LL5113	Laser Lamp, Krypton (FOBA # 05110)
7	YR4117	YAG Rod, 4 mm (FOBA # 021010)
8	RBTFOBA100	Rod Beam Tube, (FOBA # M33010)
9	RPPFOBA100	YAG Rod Pressure Plate (FOBA # 03410)
10	LHBFOBA100	Lower Head Block (FOBA # M31030)
11	WF075	Water Fitting, Q switch

## FREQUENTLY USED CONSUMABLES:

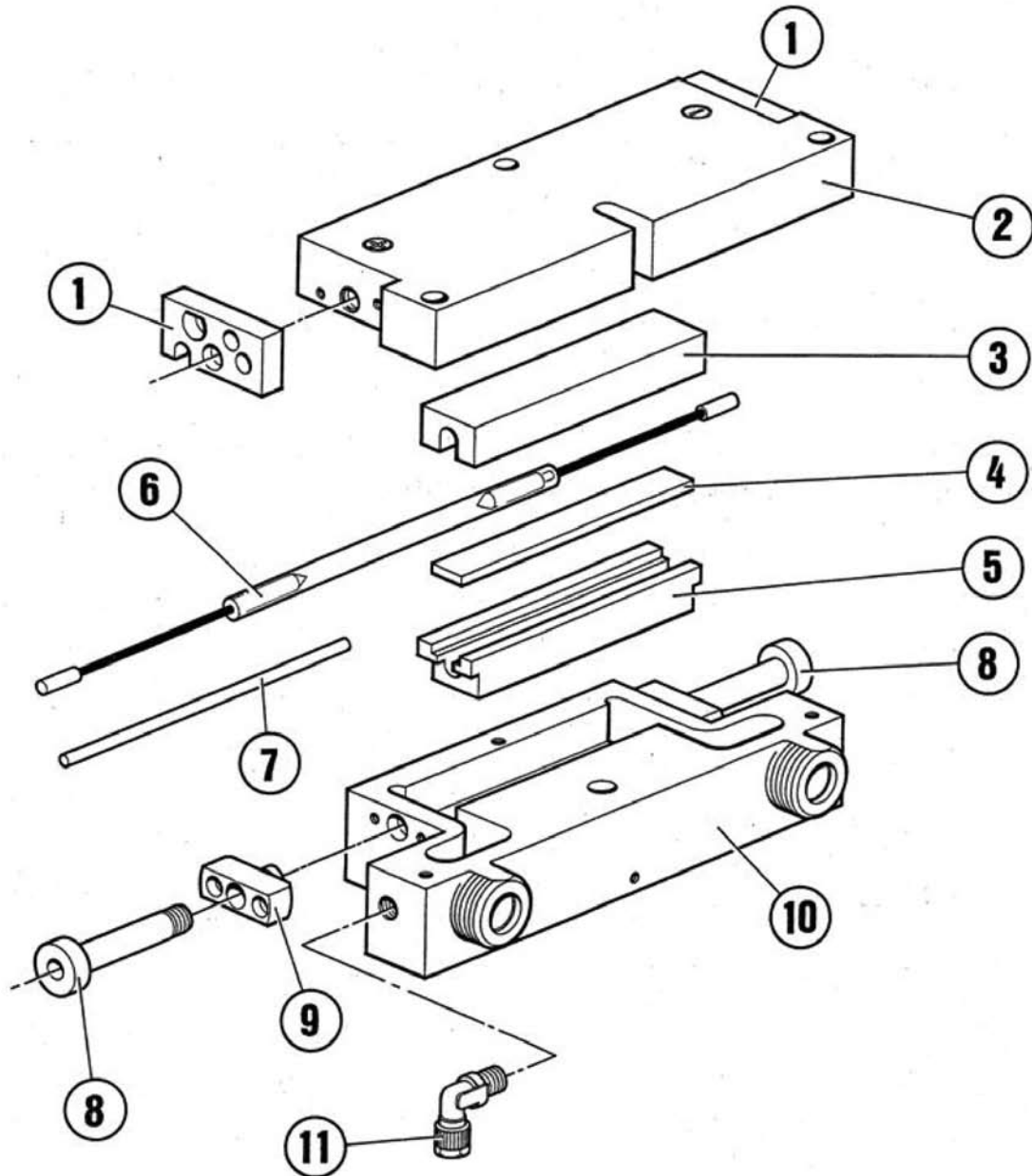
REFERENCE	ITEM	PART NUMBER
1	Lamp	LL5113
2	Flow Plate	FG101123
3	O-Ring Kit	ORKFOBA100
4	D.I. Resin	DIRE SIN100
5	Particle Filter	PF75
6	Front Mirror 75%R	MR3M75RHC
7	Rear Mirror HR	MR3M100RHC

Other consumables upon request.

# LAMP PUMPED LASER HEADS

High performance and reliability

Part No: CHBAFOBA100



Intelligent Solutions, Manufacturing & Development



# LAMP PUMPED LASER HEADS

High performance and reliability



## Part No: CHBAHAAS

**LASER SYSTEMS:** Trumpf Hass Multi Kilowatt Lasers, HL353D, HL556D, HL703D, HL803D HLI003D, HLI006D, HLI504D, HL2006D, HL3006D, HL4006D, 250W to 4kW

**DESCRIPTION:** Multi-Lamp Pumped Solid-State Laser Chamber used for cutting & material processing applications.

### ASSEMBLIES:

REFERENCE	PART NUMBER	DESCRIPTION
1	OAKHAAS	O-Ring Kit
2	GCHAAS	Gold Cavity Assembly, Complete

## Part No: CHBAHAAS

### LASER HEAD COMPONENTS:

REFERENCE	PART NUMBER	DESCRIPTION
1	GCEHAAS	Cavity Ellipse, Gold Plated
2	CEPHAASL	Cavity End Plate Left
3	CEPHAASR	Cavity End Plate Right
4	CBHAAS	Cooling Block
5	LBHAAS	Location Block
6	WWHAAS	Water Way
7	WP15HAAS	Water Pipe
8	WP23HAAS	Water Pipe
9	LGBHAASR	Lamp Guide Block Right
10	LGBHAASLF	Lamp Guide Block Left Front
11	LGBHAASLR	Lamp Guide Block Left Rear
12	LFTEHAAS	Lamp Flow Tube End
13	LPPHAAS	Lamp Pressure Plate
14	RGBHAASL	Rod Guide Block Left
15	RGBHAASR	Rod Guide Block Right
16	RGHAASL	Rod Guide Left
17	RGHAASR	Rod Guide Right
18	RSHAAS	Rod Support
19	RSLSHAAS	Locking Screw
20	FCHAAS	Flow Controller
21	RGBFSHAAS	Fixing Screw
22	LPPFSHAAS	Fixing Screw
23	GPHAAS	Guide Pin
24	MTPHAAS	Main Top Plate
25	STPHAAS	Sprung Top Plate
26	RFTHAAS	Rod Flow Tube
27	LFTHAAS	Lamp Flow Tube
28	LFTHAASS	Lamp Flow Tube Short
31-34	N/A	Various washers
35-46	ORKHAAS	O-Ring Kit
47-51	N/A	Various Screws
52	YR257	YAG Rod, 6.35mm, Unmounted
52A	YR5179	YAG Rod, 5mm, Unmounted, HL803D
53	YRA257	YAG Rod Assembly, 6.35mm, Mounted
53A	YRA5179	Yad Rod Assembly, 5mm, Mounted, HL803D
54	YRH257	YAG Rod Holder
55	LL2000	Laser Lamp, Standard, 01-04-23-00

### FREQUENTLY USED CONSUMABLES:

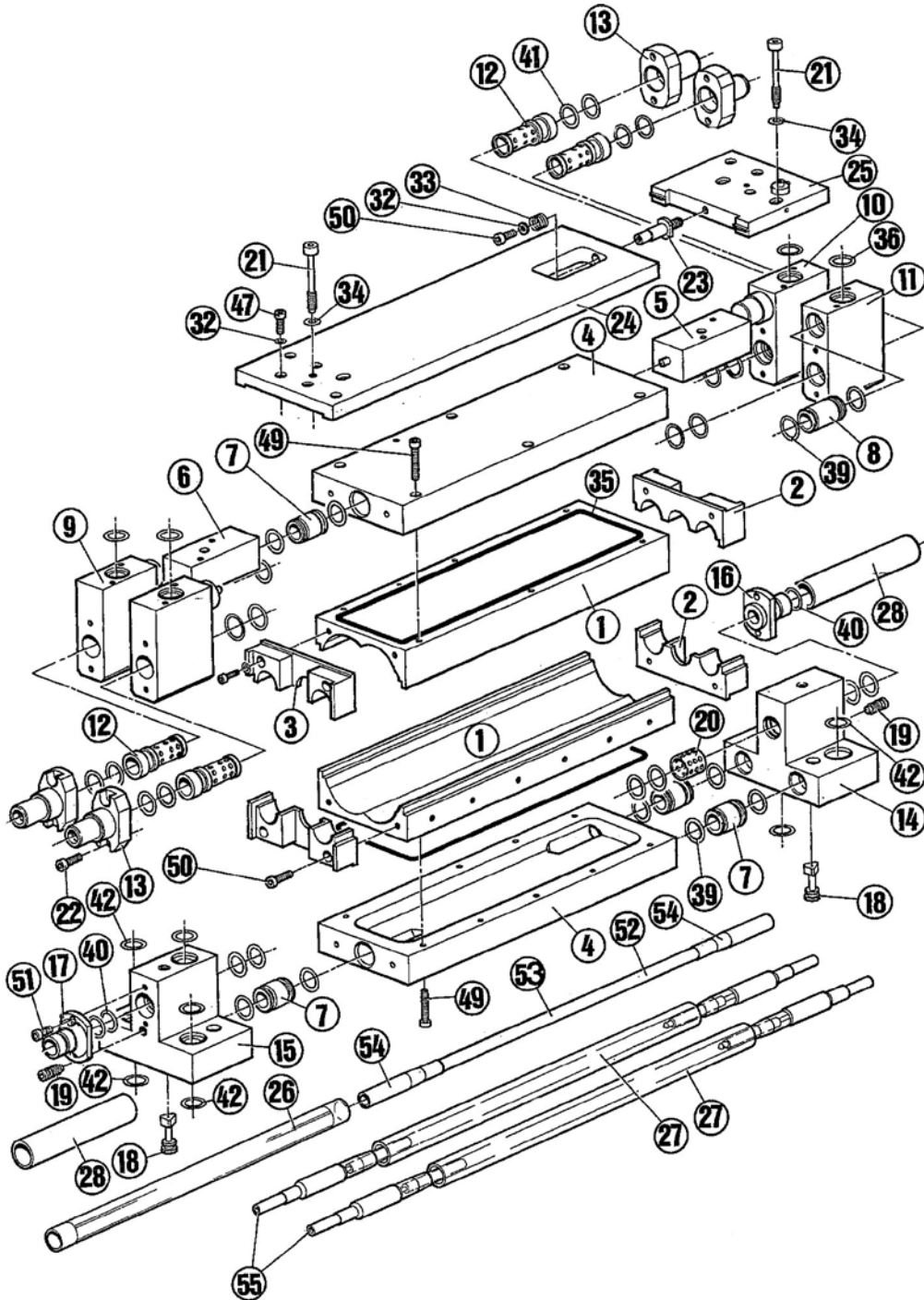
REFERENCE	ITEM	PART NUMBER
1	Lamp, Standard, 01-04-23-00	LL2000
2	Lamp Flow Tube	LFTHAAS
3	Rod Flow Tube	RFTHAAS
4	Lamp Flow Tube, Short	LFTHAASS
5	Protective Window, 55 × 1.5 mm	PW5515AR
6	Protective Window, 50 × 2 mm	PW502AR

Other consumables upon request.

# LAMP PUMPED LASER HEADS

High performance and reliability

Part No: CHBAHAAS



# LAMP PUMPED LASER HEADS

High performance and reliability

## Part No: CHBALAKI01

**LASER SYSTEMS:** Lasag LAK101, KLS111, LAK100, KLS016

**DESCRIPTION:** Single-Lamp Pumped pulsed Solid-State Laser Chamber used for laser cutting, drilling and welding

### LASER HEAD COMPONENTS:

REFERENCE	PART NUMBER	DESCRIPTION
1	GCELAK101U	Gold Cavity Reflector, Upper
2	GCELAK101L	Gold Cavity Reflector, Lower
3	CEPLAK101R	Cavity End Plate, Right
4	CEPLAK101L	Cavity End Plate, Left
5	LPPLAK101L	Lamp Pressure Plate, Left
6	LPPLAK101R	Lamp Pressure Plate, Right
7	RCSRLAK400	Rod Flow Tube Sealing Ring
8	CPPLAK101	Crystal Pressure Plate
9	LL5006	Laser Lamp, Krypton, 6 mm Bore
10	LL6638	Laser Lamp, Xenon, 6 mm Bore
11	LL4605	Laser Lamp, Xenon, 7 mm Bore
12	RFTLAK101	Rod Flow Tube
13	LFTLAK101	Lamp Flow Tube
14	YR201	YAG Rod, 6.35 mm Dia, Unmounted
15	PTLAK101	Pressure Tube, Rod Ceramic
16	YRALAK101	YAG Rod Assembly, Mounted

### ASSEMBLIES:

REFERENCE	PART NUMBER	DESCRIPTION
1	ORKLAK101	O-Ring Kit
2	GCLAK101	Gold Cavity Assembly
3	HBALAK101	Head Block Assembly (Less YAG Rod & Lamp)
4	CHBALAK101	Complete Head Block Assembly (Specify Lamp Model)

# LAMP PUMPED LASER HEADS

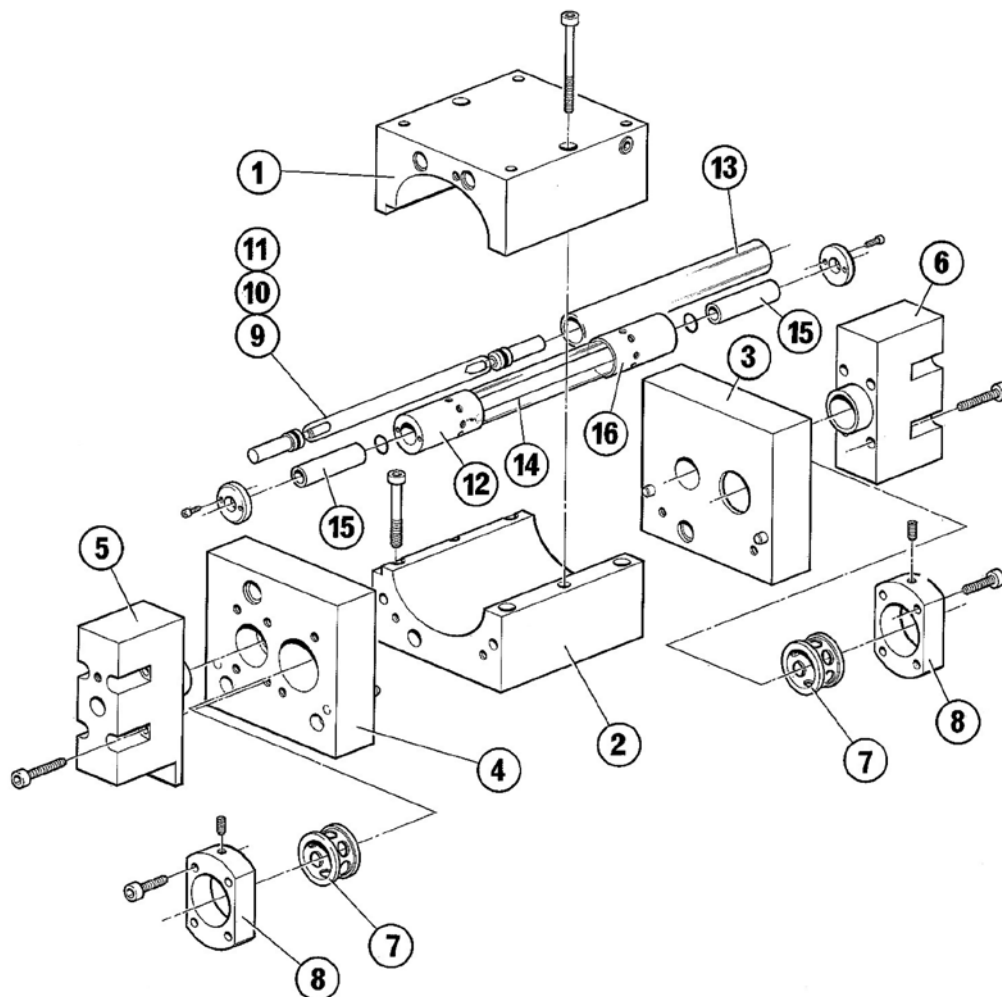
High performance and reliability

## Part No: CHBALAKI01

### FREQUENTLY USED CONSUMABLES:

Reference	Item	Part Number
1	Lamp, Krypton	LL5006, 64-0156, 64-0302
2	Lamp, Xenon	LL6638, 64-0158, 64-0371
3	Lamp, Xenon	LL4605, 64-0114, 64-0116
4	Rod Flow Tube	RFTLAKI01
5	Lamp Flow Tube	LFTLAKI01
6	DI Resin	DIRESIN100

Other consumables upon request.



# LAMP PUMPED LASER HEADS

High performance and reliability

## Part No: CHBALAK30I

**LASER SYSTEMS:** Lasag LAK301–302, LPM301–302

**DESCRIPTION:** Single-Lamp Pumped pulsed Solid-State Laser Chamber used for laser cutting, drilling and welding

### LASER HEAD COMPONENTS:

REFERENCE	PART NUMBER	DESCRIPTION
1	GCELAK30IU	Gold Cavity Reflector, Upper
2	GCELAK30IL	Gold Cavity Reflector, Lower
3	CEPLAK30IR	Cavity End Plate, Right
4	CEPLAK30IL	Cavity End Plate, Left
5	LPPLAK30IL	Lamp Pressure Plate, Left
6	LPPLAK30IR	Lamp Pressure Plate, Right
7	CNLAK30I	Crystal Pressure Nut
8	CPPLAK30I	Crystal Pressure Plate
9	LL5007	Laser Lamp, Krypton, 6 mm Bore
10	LL5009	Laser Lamp, Xenon, 6 mm Bore
11	LFTKLS322	Lamp Flow Tube
12	YR256	YAG Rod, 6.35 mm Dia, Unmounted
13	RFTLAK30I	Rod Flow Tube
14	YRHLAK30I	YAG Rod Holder
15	PTLAK30I	Pressure Tube, Ceramic

### ASSEMBLIES:

Reference	Part Number	Description
1	ORKLAK30I	O-Ring Kit
2	GCLAK30I	Gold Cavity Assembly
3	HBALAK30I	Head Block Assembly (Less YAG Rod & Lamp)
4	CHBALAK30I	Complete Head Block Assembly (Specify Lamp Model)

# LAMP PUMPED LASER HEADS

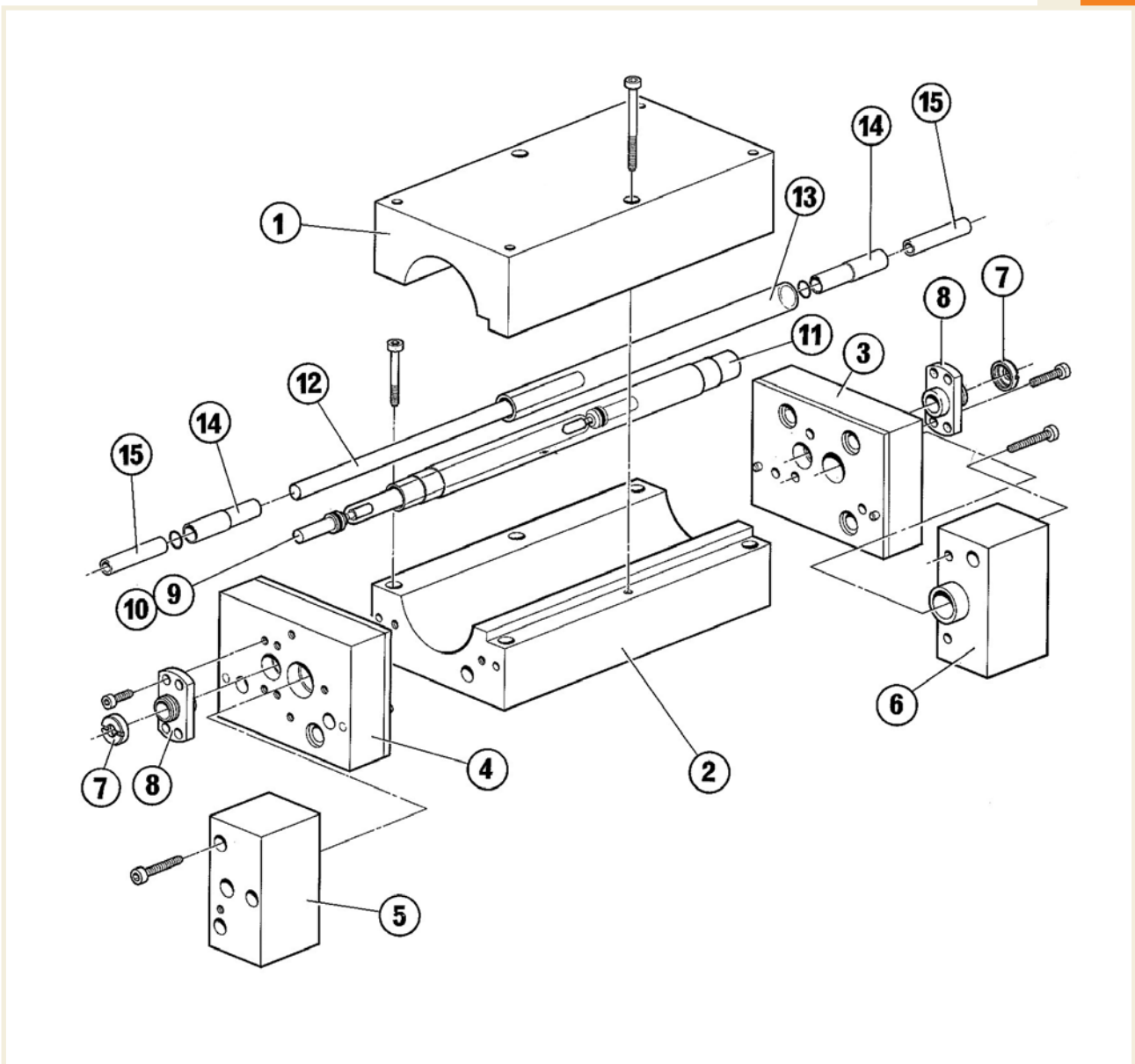
High performance and reliability

## Part No: CHBALAK30I

### FREQUENTLY USED CONSUMABLES:

REFERENCE	ITEM	PART NUMBER
1	Lamp, Krypton	LL5007, 64-0157, 64-0324
2	Lamp, Xenon	LL5009, 64-0159, 64-0372
3	Lamp Flow Tube	LFTKLS322
4	Rod Flow Tube	RFTLAK30I
5	DI Resin	DIRESIN100

Other consumables upon request.



# LAMP PUMPED LASER HEADS

High performance and reliability

## Part No: CHBALAK322

**LASER SYSTEMS:** Lasag KLS321-322

**DESCRIPTION:** Single-Lamp Pumped pulsed Solid-State Laser Chamber used for laser cutting, drilling and welding

### LASER HEAD COMPONENTS:

REFERENCE	PART NUMBER	DESCRIPTION
1	GCELAK322U	Gold Cavity Reflector, Upper
2	GCELAK322L	Gold Cavity Reflector, Lower
3	CEPLAK322R	Cavity End Plate, Right
4	CEPLAK322L	Cavity End Plate, Left
7	CNLAK301	Crystal Pressure Nut
8	CPPLAK301	Crystal Pressure Plate
9	LL5007	Laser Lamp, Krypton, 6 mm Bore
10	LL5009	Laser Lamp, Xenon, 6 mm Bore
11	LFTKLS322	Lamp Flow Tube
12	YR256	YAG Rod, 6.35 mm Dia, Unmounted
13	RFTLAK301	Rod Flow Tube
14	YRHLAK301	YAG Rod Holder
15	PTLAK301	Pressure Tube, Ceramic

### ASSEMBLIES:

REFERENCE	PART NUMBER	DESCRIPTION
1	ORKLAK301	O-Ring Kit
2	GCLAK322	Gold Cavity Assembly
3	HBALAK322	Head Block Assembly (Less YAG Rod & Lamp)



# LAMP PUMPED LASER HEADS

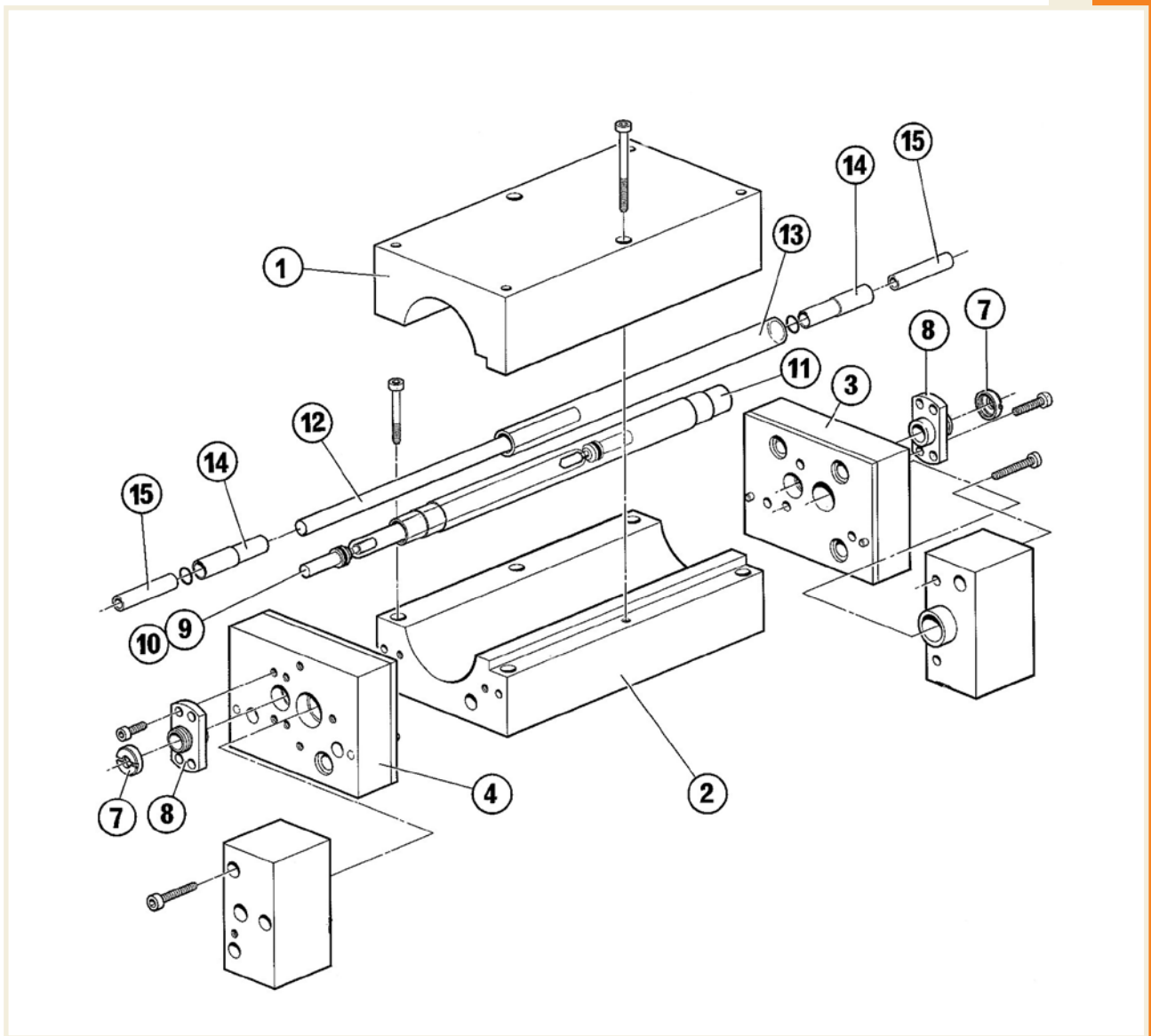
High performance and reliability

## Part No: CHBALAK322

### FREQUENTLY USED CONSUMABLES:

REFERENCE	ITEM	PART NUMBER
1	Lamp, Krypton	LL5007, 64-0157, 64-0324
2	Lamp, Xenon	LL5009, 64-0159, 64-0372
3	Lamp Flow Tube	LFTKLS322
4	Rod Flow Tube	RFTLAK30I
5	DI Resin	DIRESIN100

Other consumables upon request.



# LAMP PUMPED LASER HEADS

High performance and reliability

## Part No: CHBALAK400

**LASER SYSTEMS:** Lasag LAK400-401

**DESCRIPTION:** Dual-Lamp Pumped pulsed Solid-State Laser Chamber used for laser cutting, drilling and welding

### LASER HEAD COMPONENTS:

REFERENCE	PART NUMBER	DESCRIPTION
1	GCELAK400U	Gold Cavity Reflector, Upper
2	GCELAK400L	Gold Cavity Reflector, Lower
3	CEPLAK400R	Cavity End Plate, Right
4	CEPLAK400L	Cavity End Plate, Left
5	LPPLAK101L	Lamp Pressure Plate, Left
6	LPPLAK101R	Lamp Pressure Plate, Right
7	LL5007	Laser Lamp, Krypton, 6 mm Bore
8	LL5009	Laser Lamp, Xenon, 6 mm Bore
9	LFTLAK401	Lamp Flow Tube
10	RFTLAK400	Rod Flow Tube
11	YRALAK400	YAG Rod Assembly, Mounted
12	YR256	YAG Rod, 6.35 mm Dia, Unmounted
13	PTLAK101	Pressure Tube, Ceramic
14	RCSRLAK400	Rod Flow Tube Sealing Ring
15	CPPLAK101	Crystal Pressure Plate

### ASSEMBLIES:

REFERENCE	PART NUMBER	DESCRIPTION
1	ORKLAK400	O-Ring Kit
2	GCLAK400	Gold Cavity Assembly
3	HBALAK400	Head Block Assembly (Less YAG Rod & Lamp)
4	CHBALAK400	Complete Head Block Assembly (Specify Lamp Model)

# LAMP PUMPED LASER HEADS

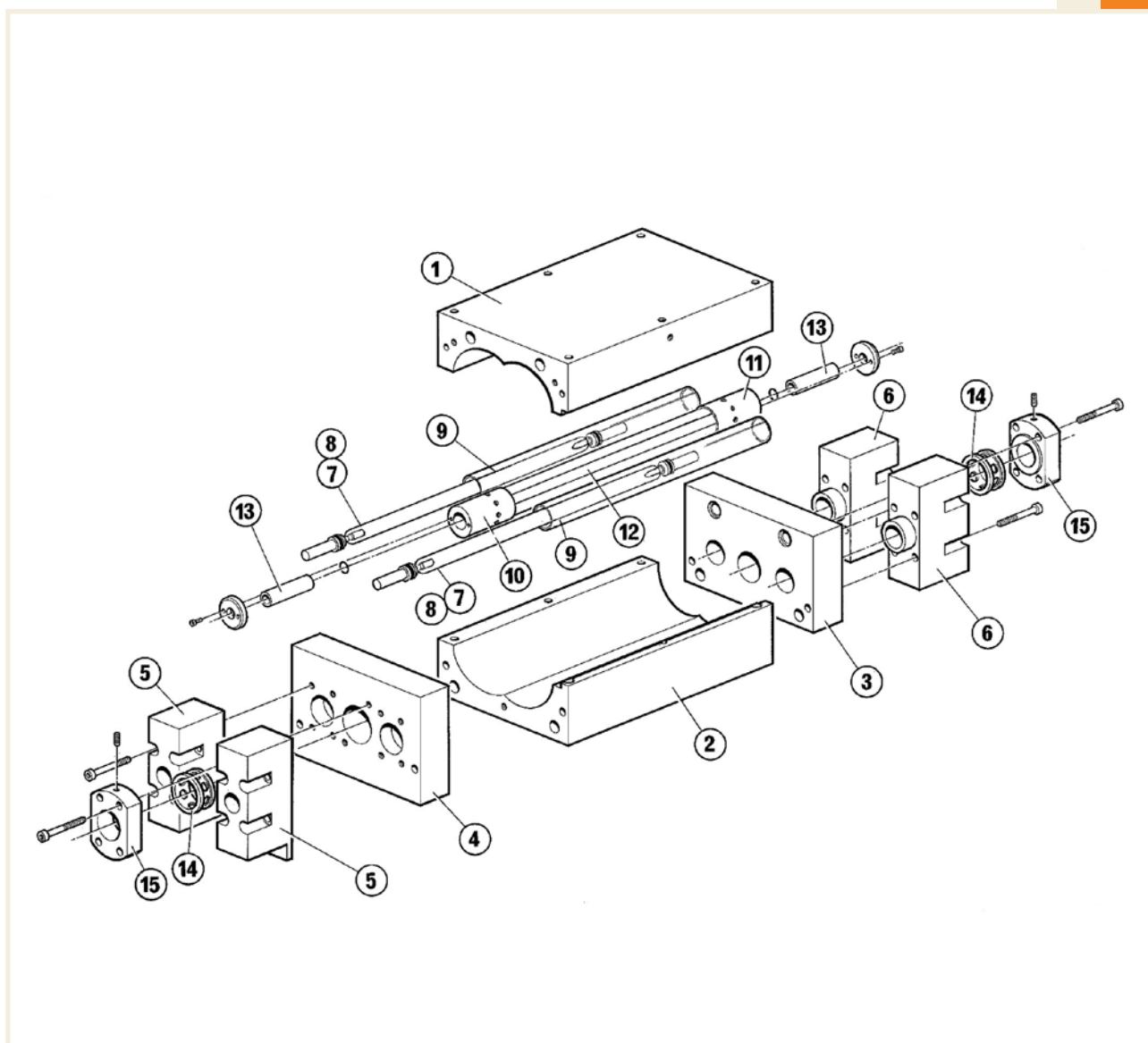
High performance and reliability

## Part No: CHBALAK400

### FREQUENTLY USED CONSUMABLES:

REFERENCE	ITEM	PART NUMBER
1	Lamp, Krypton	LL5007, 64-0157, 64-0324
2	Lamp, Xenon	LL5009, 64-0159, 64-0372
3	Lamp Flow Tube	LFTLAK401
4	Rod Flow Tube	RFFTLAK400
5	DI Resin	DIRE SIN100

Other consumables upon request.



# LAMP PUMPED LASER HEADS

High performance and reliability

## Part No: CHBALAK60 I

**LASER SYSTEMS:** Lasag LAK600-60I

**DESCRIPTION:** Dual-Lamp Pumped pulsed Solid-State Laser Chamber used for laser cutting, drilling and welding

### LASER HEAD COMPONENTS:

REFERENCE	PART NUMBER	DESCRIPTION
1	GCELAK60IU	Gold Cavity Reflector, Upper
2	GCELAK60IL	Gold Cavity Reflector, Lower
3	CEPLAK60IR	Cavity End Plate, Right
4	CEPLAK60IL	Cavity End Plate, Left
5	LPPLAK60IRF/LF	Lamp Pressure Plate, Left
6	LPPLAK60ILR	Lamp Pressure Plate, Right
7	LPPLAK60IRR	Lamp Pressure Plate, Right
8	LL6073	Laser Lamp, Xenon, 8 mm Bore
9	LL5033	Laser Lamp, Krypton, 8 mm Bore
10	LFTLAK40I	Lamp Flow Tube
11	YR500	YAG Rod, 9.525 mm Dia, Unmounted
12	RFTLAK60I	Rod Flow Tube
13	YRHLAK60I	YAG Rod Holder
14	PTLAK60I	Pressure Tube, Ceramic
15	CPPLAK60I	Crystal Pressure Plate
16	CNLAK60I	Crystal Pressure Nut

### ASSEMBLIES:

REFERENCE	PART NUMBER	DESCRIPTION
1	ORKLAK60I	O-Ring Kit
2	GCLAK60I	Gold Cavity Assembly
3	HBALAK60I	Head Block Assembly (Less YAG Rod & Lamp)
4	CHBALAK60I	Complete Head Block Assembly (Specify Lamp Model)

# LAMP PUMPED LASER HEADS

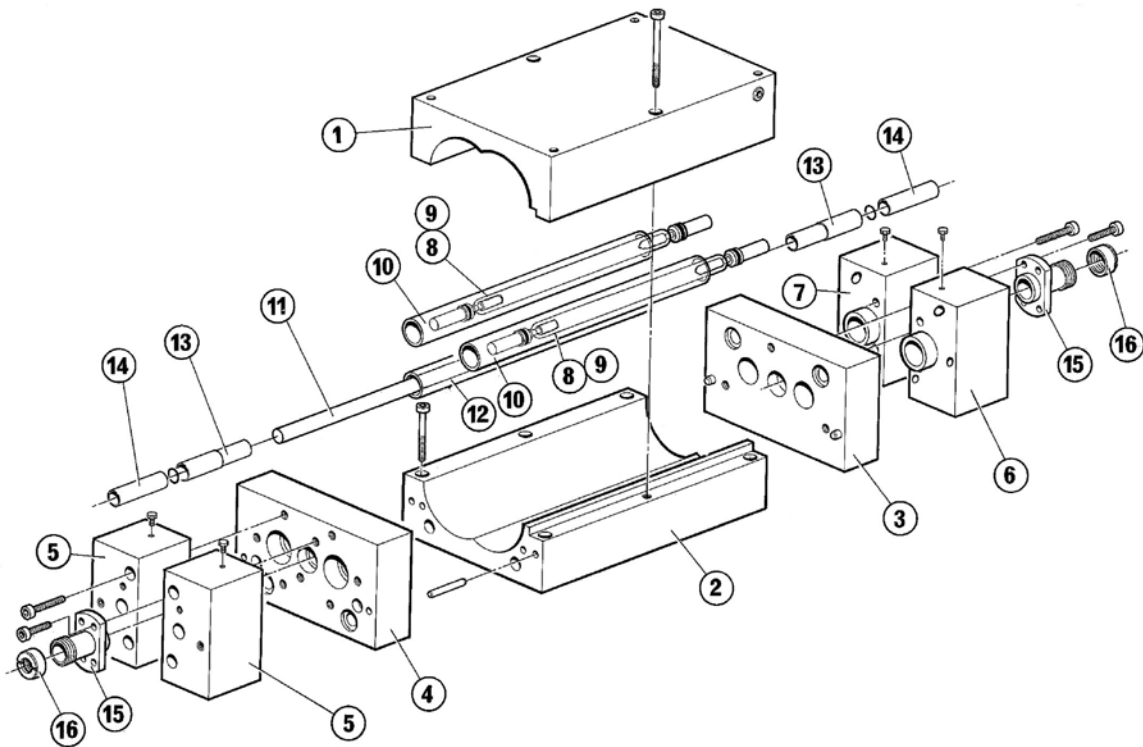
High performance and reliability

## Part No: CHBALAK60I

### FREQUENTLY USED CONSUMABLES:

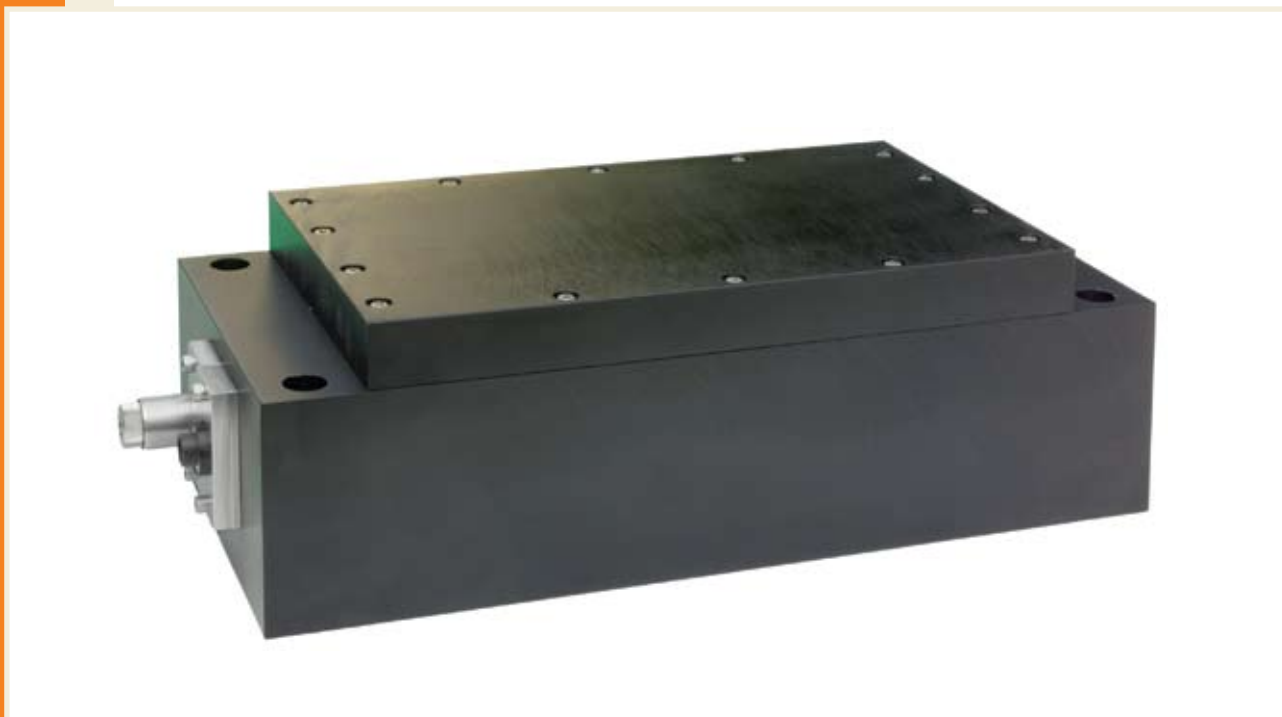
REFERENCE	ITEM	PART NUMBER
1	Lamp, Xenon	LL6073, 64-0309
2	Lamp, Krypton	LL1807, 64-0551, 64-0308
3	Lamp Flow Tube	LFTLAK40I
4	Rod Flow Tube	RFTLAK60I
5	DI Resin	DIRE SIN100

Other consumables upon request.



# LAMP PUMPED LASER HEADS

High performance and reliability



**Part No: CHBAMERLIN**

**LASER SYSTEMS:** Positive Light Merlin, Spectra Physics Merlin

**DESCRIPTION:** Single-Lamp Pumped YLF Solid-State Laser Chamber used for scientific applications.

## ASSEMBLIES:

REFERENCE	PART NUMBER	DESCRIPTION
1	ORKMERLIN	O-Ring Kit 4 mm Rod
2	GCAI 17	Gold Cavity Assembly, Complete
3	BAMERLIN	Head Block Assembly (Less Cavity Reflector, YLF Rod & Lamp Assembly)
4	HBAMERLIN	Head Block Assembly (Less YLF Rod & Lamp Assembly)
5	CHBAMERLIN	Head Block Assembly Complete (Includes 4 mm YLF Rod)

# Part No: CHBAMERLIN

## LASER HEAD COMPONENTS:

REFERENCE	PART NUMBER	DESCRIPTION
1	CHI17T	Cavity Reflector, Top
2	CHI17B	Cavity Reflector, Bottom
3	GCE117	Gold Cavity Reflector
4	WFMERLIN	Water Fitting
5	CEP114	Cavity End Plate, Gold
6	WIB117	Water Inlet Block
7	LSSMERLIN	Light Shield Sleeve
8	ORKMERLIN	O-Ring, Silicone
10	LHBMERLIN	Lower Head Block
11	RPPMERLIN	Rod Pressure Plate
12	LPPMERLIN	Lamp Pressure Plate, Front
14	LEPMERLIN	Lamp End Plate
16	UHBMERLIN	Upper Head Block
17	CCMERLIN	Upper Head Block Channel Cover
19	YLF4115	YLF Rod, 4 mm, Un-mounted
21	YLFA4115	YLF Rod Assembly, Complete
23	RFT117ENH	Rod Flow Tube
24	YRH4117ENH	YAG Rod Holder
27	PR117	Pressure Ring
28	RR117	Retaining Ring
29	CNI17ENH	Crystal Nut
30	ORS4MM	O-Ring Silicone, 4 mm
32	PT4117ENH	Pressure Tube
34	LFT117CE	Lamp Flow Tube, Cerium Doped Quartz
35	LHCMERLIN	Lower Head Carriage
36	LLQCW324	Laser Lamp
38	PW149	Pressure Washer
39	CSA116	Cathode and Anode Socket Assembly
41	ORN804	O-Ring Nitrile (10 Pieces/Packet)
42	TRH150	Threaded Retainer

## FREQUENTLY USED CONSUMABLES:

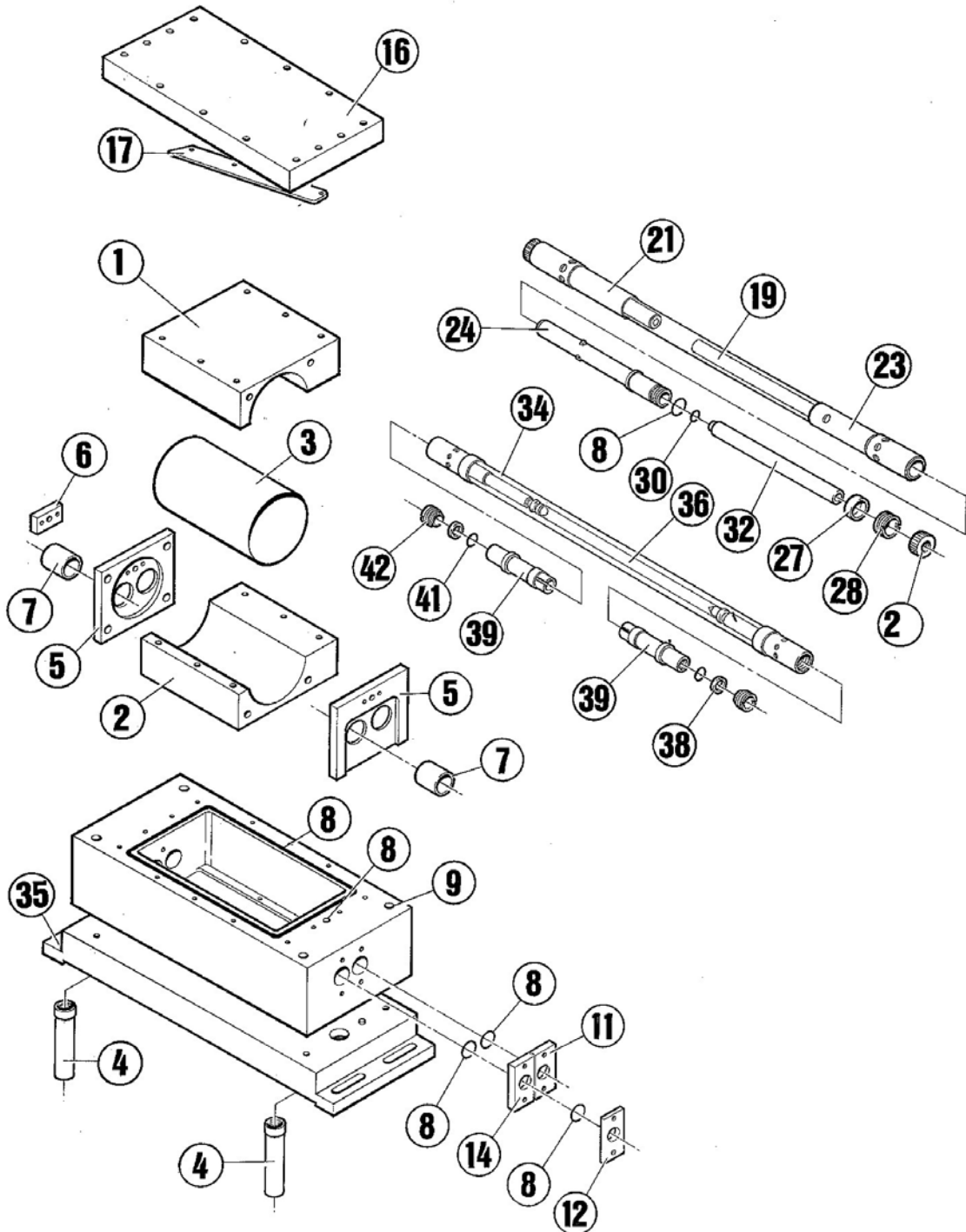
REFERENCE	ITEM	PART NUMBER
1	Lamp	LLQCW324
2	Lamp Flow Tube	LFT117CE
3	O-Ring Kit	ORKMERLIN
4	Cathode and Anode Socket Assembly	CSA116
5	DI Cartridge	DMP10

Other consumables upon request.

# LAMP PUMPED LASER HEADS

High performance and reliability

## Part No: CHBAMERLIN





# LAMP PUMPED LASER HEADS

High performance and reliability



## Part No: CHBAMLS035

**LASER SYSTEMS:** Munich Laser Systems 035, LS Laser System 035

**DESCRIPTION:** Single-Lamp Pumped Solid-State Laser Chamber used for laser trimming, marking & engraving applications – 60 Watts

### ASSEMBLIES:

REFERENCE	PART NUMBER	DESCRIPTION
1	ORKMLS035	O-Ring Kit
2	HBAMLS035	Head Block Assembly (Less YAG Rod & Lamp)
3	CHBAMLS035	Complete Head Block Assembly

# LAMP PUMPED LASER HEADS

High performance and reliability

**Part No: CHBAMLS035**

## LASER HEAD COMPONENTS:

REFERENCE	PART NUMBER	DESCRIPTION
1	GCEMLS035U	Gold Cavity Reflector, Upper
2	GCEMLS035L	Gold Cavity Reflector, Lower
3	CEPPMLS035	Cavity End Pressure Plate
4	WIBMLS035	Water Inlet Block
5	WOBMLS035	Water Outlet Block
6	LFT035	Lamp & Rod Flow Tube
7	YR485	YAG Rod, Unmounted, 4 mm Dia
8	YRHMLS035	YAG Rod Holder
9	ORSMLS035	O-Ring Seal
10	PTMLS035	Pressure Tube
11	LL767	Laser Lamp, 3.5 kW
12	CPPMLS035	Crystal Pressure Plate
13	LPPMLS035	Lamp Pressure Plate
14	ORKMLS035	O-Rings (Included in Kit)
15	LTCMLS035	Lamp Terminal Contact

## FREQUENTLY USED CONSUMABLES:

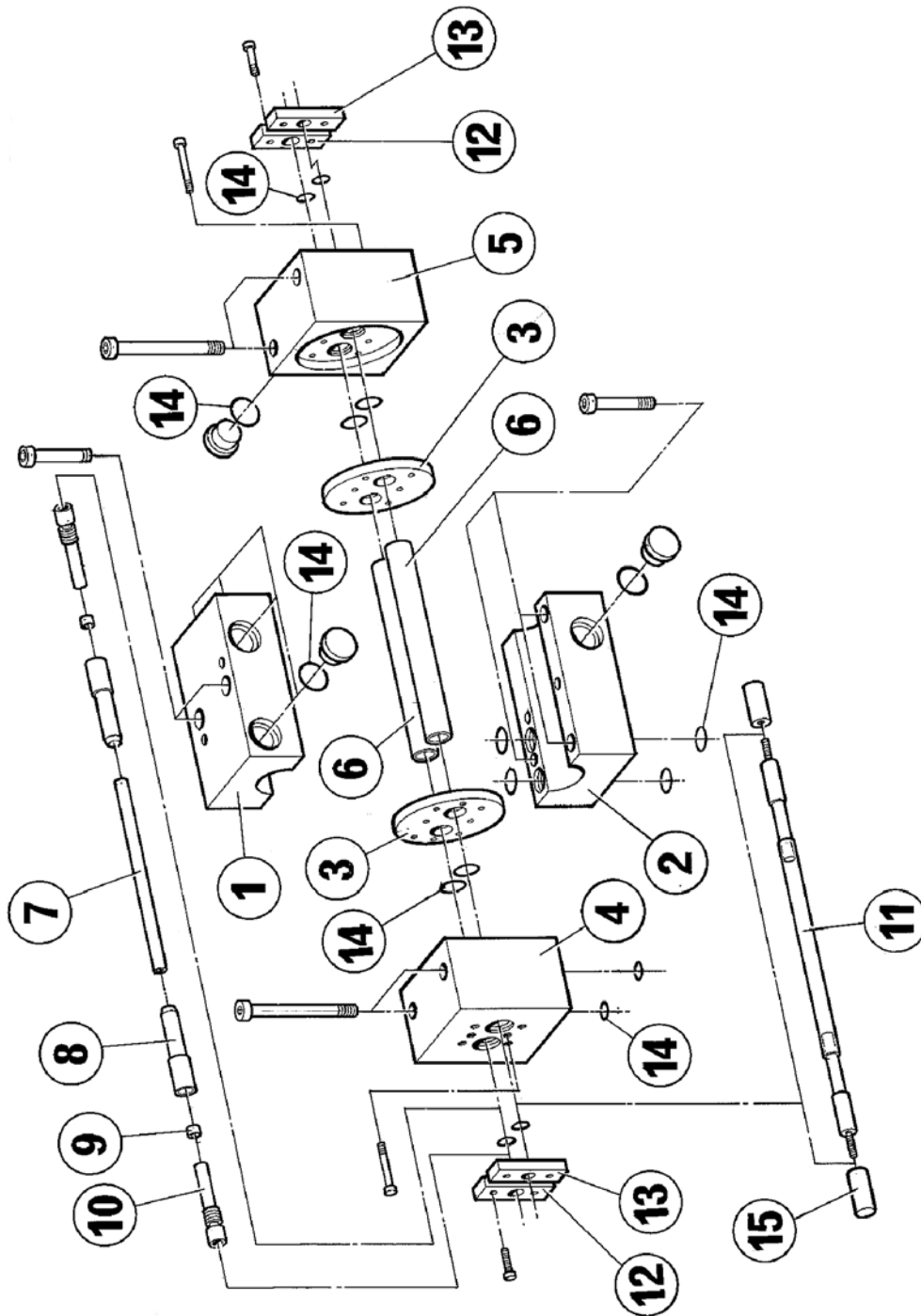
REFERENCE	ITEM	PART NUMBER
1	Lamp	LL767
2	Lamp & Rod Flow Tube	LFT035
3	Front Mirror 90% R	MRIM90RHC
4	Rear Mirror HR	MRIM100RHC
5	D.I. Resin	DIRE SIN100

Other consumables upon request.

# LAMP PUMPED LASER HEADS

High performance and reliability

Part No: CHBAMLS035



# LAMP PUMPED LASER HEADS

High performance and reliability

## Part No: CHBASLI14

**LASER SYSTEMS:** N.E.C. Models SL432G; SL435B; SL411B; SL412G; SL114K; SL475H; S.L.T. CL60

**DESCRIPTION:** Single-Lamp Pumped CW Solid-State Laser Chamber used for laser trimming, marking and engraving 40–60 Watts

### LASER HEAD COMPONENTS:

REFERENCE	PART NUMBER	DESCRIPTION
1	UHBSLI14	Upper Head Block
2	GCESLI14U	Gold Cavity Ellipse, Upper
3	GCESLI14L	Gold Cavity Ellipse, Lower
4	ORKSLI14	O-Ring (Included in Kit)
5	CEPSLI14R	Cavity End Plate, Right
6	CEPSLI14L	Cavity End Plate, Left
7	RFTSLI14	Rod Flow Tube
8	LFTSLI14	Lamp Flow Tube
9	LHBSLI14	Lower Head Block
10	LHCSLI14	Lower Head Carriage
11	LL545	Laser Lamp, 20Amps, NEC P/N P2002D
12	YR474	YAG Rod, 4 mm, Unmounted
13	YRA432	YAG Rod Assembly, 3 mm, Mounted
14	YRA434	YAG Rod Assembly, 4 mm, Mounted
15	CPPSLI14	Crystal Pressure Plate
16	LPPSLI14L	Lamp Pressure Plate, Left
17	THRSLI14	Threaded Retainer
18	WF055	Water Fitting
19	WF056	Water Fitting
20	YR374	YAG Rod, 3 mm, Unmounted
21	LPPSLI14R	Lamp Pressure Plate, Right

### ASSEMBLIES:

REFERENCE	PART NUMBER	DESCRIPTION
1	ORKSLI14	O-Ring Kit
2	GCSLI14	Gold Cavity Assembly
3	BASLI14/C	Head Block Assembly (Less Cavity, YAG Rod & Lamp)
4	HBASLI14/C	Head Block Assembly (Less YAG Rod & Lamp)
5	CHBASLI143/C	Complete Head Block Assembly (Fitted With 3 mm Rod)
6	CHBAI144/C	Complete Head Block Assembly (Fitted With 4 mm Rod)

# LAMP PUMPED LASER HEADS

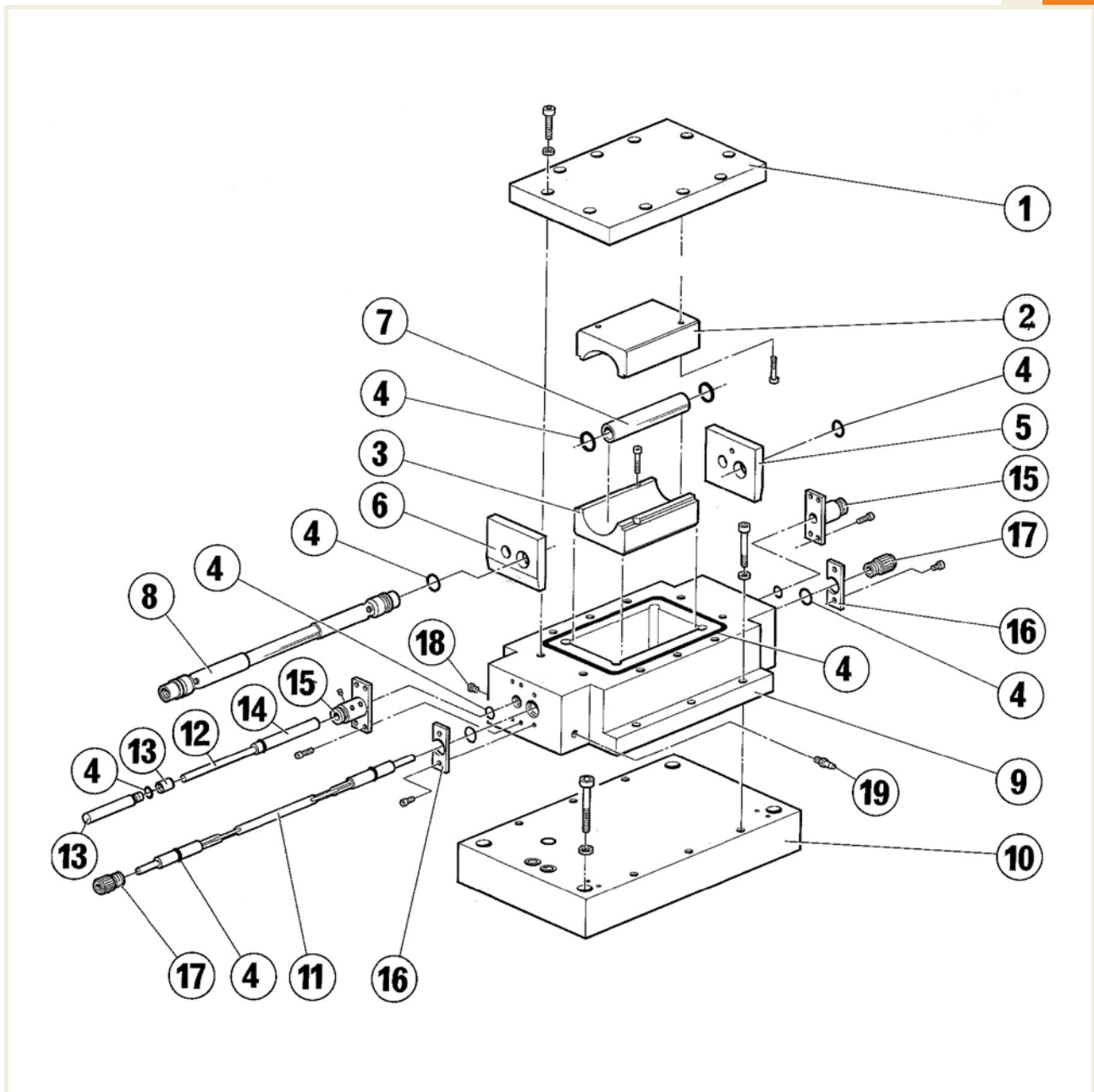
High performance and reliability

## Part No: CHBASLI 14

### FREQUENTLY USED CONSUMABLES:

REFERENCE	ITEM	PART NUMBER
1	Lamp	LL545
2	Rod Flow Tube	RFTSLI 14
3	Lamp Flow Tube	LFTSLI 14

Other consumables upon request.



# LAMP PUMPED LASER HEADS

High performance and reliability

## Part No: CHBASS500

**LASER SYSTEMS:** Raytheon Laser Model SS500

**DESCRIPTION:** Dual-Lamp Pumped pulsed Solid-State Laser Chamber used for cutting, drilling & welding metals

### LASER HEAD COMPONENTS:

REFERENCE	PART NUMBER	DESCRIPTION
1	GCE500U	Cavity Ellipse, Upper, Gold Plated
2	GCE500L	Cavity Ellipse, Lower, Gold Plated
3	CEP500	Cavity End Plate, Gold Plated
4	H200	Stainless Steel Counter Sunk Screw, 2-56 × 3/16
5A	LLSS500K	Laser Lamp, Krypton
5B	LLSS500X	Laser Lamp, Xenon
6A	LFTAC500K	Lamp Flow Tube Assembly Complete, Krypton Lamp
6B	LFTAC500X	Lamp Flow Tube Assembly Complete, Xenon Lamp
7	LFT500	Lamp Flow Tube
8	YRA500	YAG Rod Assembly, Mounted
9	RFT500	Rod Flow Tube, Includes Hardware
10	YR8155	YAG Rod 8 mm Dia × 155 mm Long, Unmounted
12	THR323	Teflon Threaded Retainer, Insulator
13	PW324	Pressure Washer, Aluminium
14	BS012	O-Ring, Silicone
15	TR324	Pressure Washer, Teflon
16	BS012	O-Ring, Silicone
17	H201	Stainless Steel Socket Cap Screw, 10-24 × 1"
25	LTB500B	Lamp Terminal Block
26	LTB500A	Lamp Terminal Block

### ASSEMBLIES:

REFERENCE	PART NUMBER	DESCRIPTION
1	ORK500	O-Ring Kit
2	GC500	Gold Cavity Assembly, Complete
3	YRHKIT500	Rod Holder Kit ( Items 15, 16, 17, 18, 19, 20 & 21)
4	LFTKIT500	Lamp Insulator Kit (Items including 12, 13, 14 & 15)

# LAMP PUMPED LASER HEADS

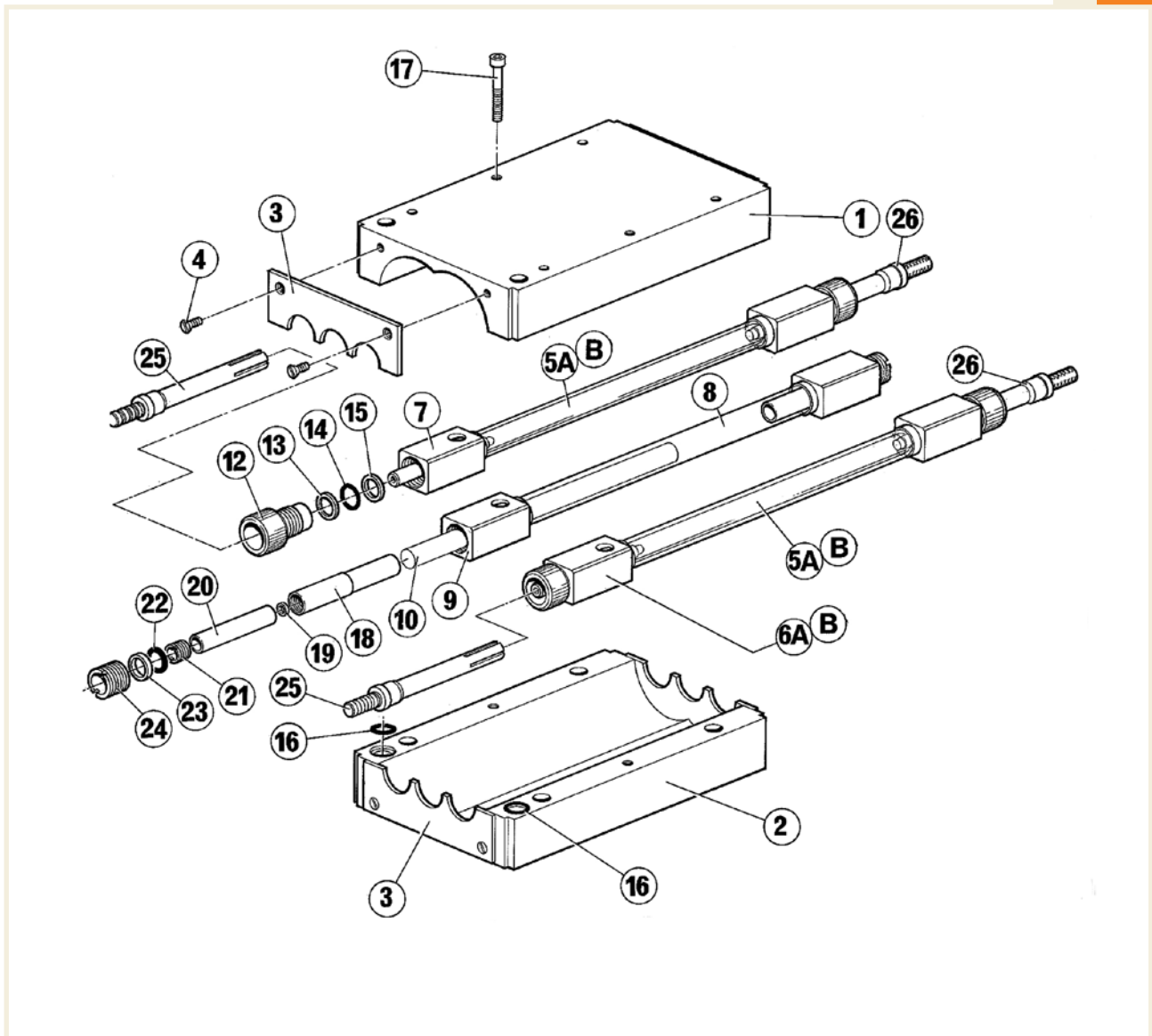
High performance and reliability

## Part No: CHBASS500

### FREQUENTLY USED CONSUMABLES:

REFERENCE	ITEM	PART NUMBER
1	Lamp, Krypton	LLSS500K
2	Lamp, Xenon	LLSS500X
3	Lamp Flow Tube	LFT500
4	Rod Flow Tube	RFT500
5	Front Mirror 42% R	MR1M42RHC
6	Rear Mirror HR	MR1M100RHC
7	DI Cartridge	DSS500
8	Particle Filter	PFSS500

Other consumables upon request.



# LAMP PUMPED LASER HEADS

High performance and reliability

## Part No: CHBASS550

**LASER SYSTEMS:** Raytheon Laser Model SS525; SS531; SS550

**DESCRIPTION:** Dual-Lamp Pumped pulsed Solid-State Laser Chamber used for cutting, drilling & welding metals

### LASER HEAD COMPONENTS:

REFERENCE	PART NUMBER	DESCRIPTION
1	GCE500U	Cavity Ellipse, Upper, Gold Plated
2	GCE500L	Cavity Ellipse, Lower, Gold Plated
3	CEP500	Cavity End Plate, Gold Plated
4	H200	Stainless Steel Counter Sunk Screw, 2-56 × 3/16
5	BS012	O-Ring, Silicone
6	LTB500A	Lamp Electrode Connector, Anode, Gold Plated
7	LTB500B	Lamp Electrode Connector, Cathode, Gold Plated
8	LFT550	Lamp Flow Tube
9	RFT500	Rod Flow Tube
10	YR8155	YAG Rod 8 mm Dia × 155 mm Long, Unmounted
11	YRA500	YAG Rod Assembly, Mounted
13A	LLSS500K	Laser Lamp, Krypton
13B	LLSS500X	Laser Lamp, Xenon
14	H201	Stainless Steel Socket Cap Screw, 10-24 × 1"

### ASSEMBLIES:

REFERENCE	PART NUMBER	DESCRIPTION
1	ORK550	O-Ring Kit
2	GC500	Gold Cavity Assembly, Complete
3	YRHKIT500	Rod Holder Kit ( Items 15, 16, 17, 18, 19, 20 & 21)



# LAMP PUMPED LASER HEADS

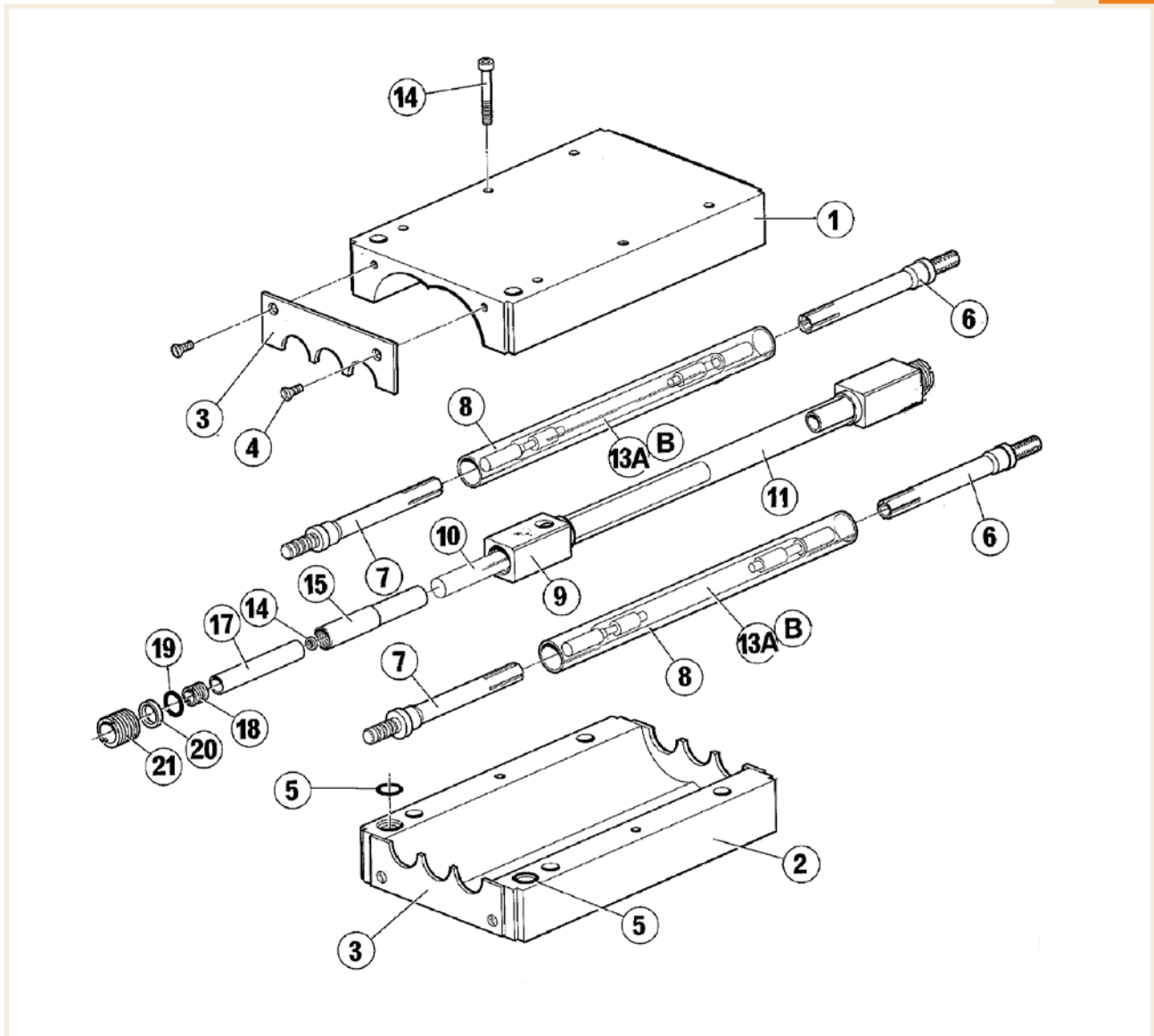
High performance and reliability

## Part No: CHBASS550

### FREQUENTLY USED CONSUMABLES:

REFERENCE	ITEM	PART NUMBER
1	Lamp, Krypton	LLSS500K
2	Lamp, Xenon	LLSS500X
3	Lamp Flow Tube	LFT550
4	Rod Flow Tube	RFT500
5	Front Mirror 42% R	MRIM42RHC
6	Rear Mirror HR	MRIMI00RHC
7	DI Cartridge	DSS500
8	Particle Filter	PFSS500

Other consumables upon request.



# LAMP PUMPED LASER HEADS

High performance and reliability



**Part No: CHBASTARMARK65**

**LASER SYSTEMS:** Baasel Lasertechnik StarMark 65 W, AB Laser StarMark 65 W

**DESCRIPTION:** Single-Lamp Pumped Solid-State Laser Chamber used for precision marking & engraving applications.

## ASSEMBLIES:

REFERENCE	PART NUMBER	DESCRIPTION
1	ORKSTARMARK	O-Ring Kit
2	GCSTARMARK	Gold Cavity Assembly, Complete
3	BASTARMARK	Head Block Assembly (Less Cavity, YAG Rod, Lamp & Carriage)
4	HBASTARMARK	Head Block Assembly (Less YAG Rod, Lamp & Carriage)
5	CHBASTARMARK65	Complete Head Block Assembly, 4 mm × 79 mm

# Part No: CHBASTARMARK65

## LASER HEAD COMPONENTS:

REFERENCE	PART NUMBER	DESCRIPTION
1	WF052	Water Fitting, Elbow, 64630-019, 102103461
5	WF054	Water Fitting, Q-Switch, 64630-047
6	ORW6000	O-Ring Washer, Silicone, 66000-032
7	WFTSTARMARK	Water Fitting Tube, 64700-16
9	IC212	Ignition Contact, 20000-289
11	CEP6000T	Cavity End Plate, 20000-238
12	RFT512C	Rod Flow Tube, 20000-041
13	LPP212R	Lamp Pressure Plate, Rear, 20000-384
14	GCE600	Gold Cavity Ellipse, 20000-023
15	H36	M3 × 20 Socket Cap
16	H110	M5 × 7.5 Button Head
17	TS212	Thumb Screw
18	LPP212F	Lamp Pressure Plate, 20000-386
19	LTBA7000	Lamp Terminal Block Assembly, 10000-210
19A	LTB7000	Lamp Terminal Block Less Gold Lamp Band
20	RPP212	Rod Pressure Plate, 20000-386
21	TLS212	Teflon Light Shield, 20000-240
22	ORS212	O-Ring, Silicone, 66200-109
23	LHBSTARMARK	Lower Head Block, 20000-543
24	ORS9125	O-Ring, Silicone, 66200-108
25	YRA633	YAG Rod Assembly, Mounted, 50320-033
26	YRA634*	YAG Rod Assembly, Mounted, 5 mm 79 mm (Special upgrade)
27	YR479	YAG Rod, 4 mm × 79 mm
28	YR9555	YAG Rod, 5 mm × 79 mm (Special Upgrade)
29	LL166	Krypton Arc Lamp, 20 Amps, 80750-009 (65 Watt)
31	LFTSTARMARK	Lamp Flow Tube, 20000-038
32	H45	M3 × 16 Socket Cap
33	UHBSTARMARK	Upper Head Block, 20000-385
34	H19	M3 Nut
35	WFCP212	Water Fitting Clamp Plate, 20000-399
36	ICC212	Ignition Coil Cover, 20000-462
37	H126	M5 × 30 Nylon Pan Head
38	H41	M3 × 8 Socket Cap

## FREQUENTLY USED CONSUMABLES:

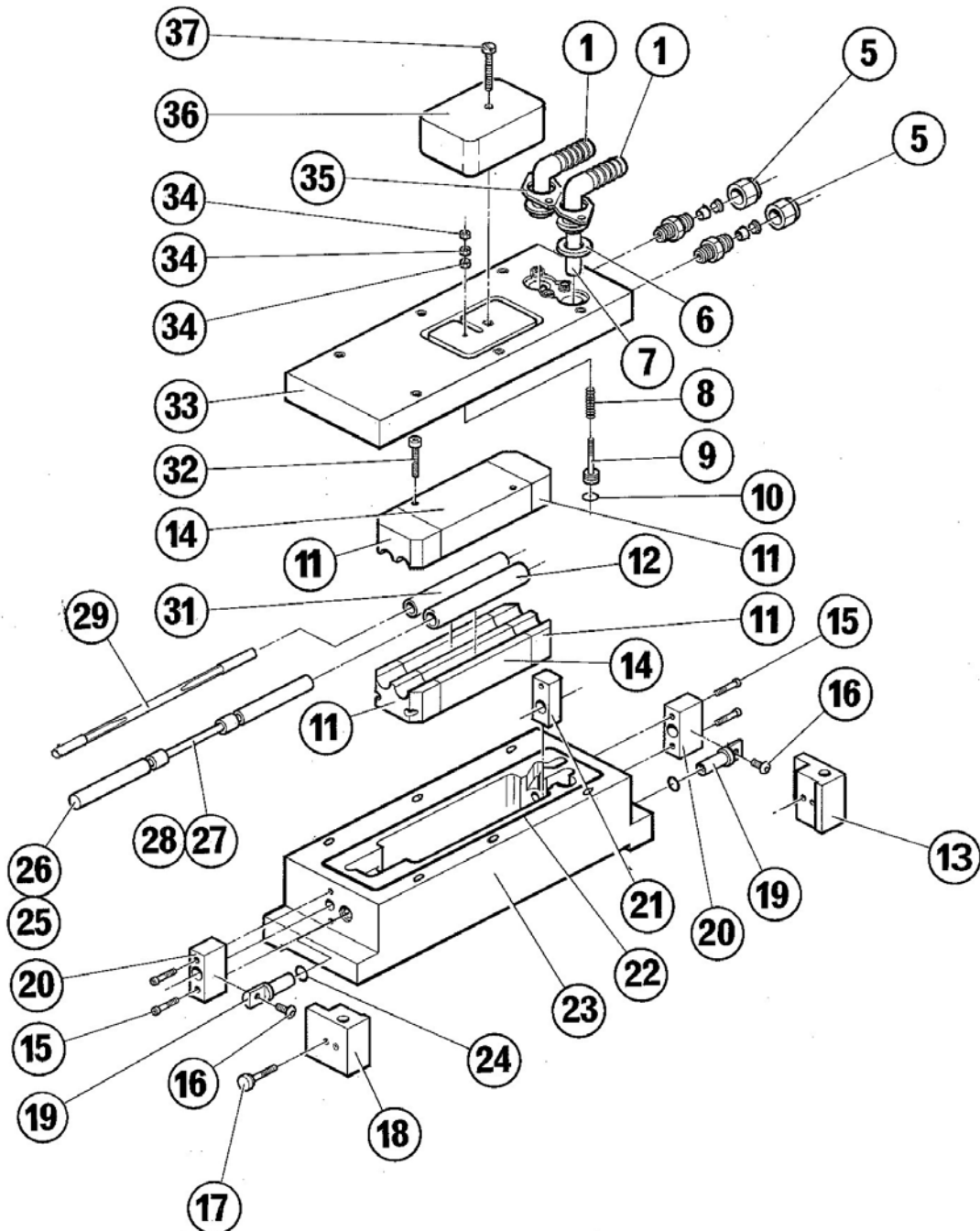
REFERENCE	ITEM	PART NUMBER
1	Lamp, 20Amp	LL166 80750-009, 131100032, 131100054
2	Lamp Flow Tube	LFTSTARMARK 20000-038
3	Rod Flow Tube	RFT512C 20000-041
4	O-Ring Kit	ORKSTARMARK
5	Multi Purpose Filter	D6000 10100-354
6	Front Mirror 80%	MR3M80RHC
7	Rear Mirror HR	MR3M100RHC
8	Lamp Terminal Block Less Gold Lamp Band	LTB7000
9	Gold Lamp Band	LC708

Other consumables upon request.

# LAMP PUMPED LASER HEADS

High performance and reliability

## Part No: CHBASTARMARK65



# LAMP PUMPED LASER HEADS

High performance and reliability



## Part No: CHBASTARMARK90

**LASER SYSTEMS:** Baasel Lasertechnik StarMark 90 W, AB Laser StarMark 90 W

**DESCRIPTION:** Single-Lamp Pumped Solid-State Laser Chamber used for precision marking & engraving applications.

### ASSEMBLIES:

REFERENCE	PART NUMBER	DESCRIPTION
1	ORKSTARMARK	O-Ring Kit
2	GCSTARMARK	Gold Cavity Assembly, Complete
3	BASTARMARK	Head Block Assembly (Less Cavity, YAG Rod, Lamp & Carriage)
4	HBASTARMARK	Head Block Assembly (Less YAG Rod, Lamp & Carriage)
5	CHBASTARMARK90	Complete Head Block Assembly, 4 mm × 79 mm

## Part No: CHBASTARMARK90

### LASER HEAD COMPONENTS:

REFERENCE	PART NUMBER	DESCRIPTION
1	WF052	Water Fitting, Elbow, 64630-019, 102103461
5	WF054	Water Fitting, Q-Switch, 64630-047
6	ORW6000	O-Ring Washer, Silicone, 66000-032
7	WFTSTARMARK	Water Fitting Tube, 64700-16
9	IC212	Ignition Contact, 20000-289
11	CEP6000T	Cavity End Plate, 20000-238
12	RFT512C	Rod Flow Tube, 20000-041
13	LPP212R	Lamp Pressure Plate, Rear, 20000-384
14	GCE600	Gold Cavity Ellipse, 20000-023
15	H36	M3 × 20 Socket Cap
16	H110	M5 × 7.5 Button Head
17	TS212	Thumb Screw
18	LPP212F	Lamp Pressure Plate, 20000-386
19	LTBA7000	Lamp Terminal Block Assembly, 10000-210
19A	LTB7000	Lamp Terminal Block Less Gold Lamp Band
20	RPP212	Rod Pressure Plate, 20000-386
21	TLS212	Teflon Light Shield, 20000-240
22	ORS212	O-Ring, Silicone, 66200-109
23	LHBSTARMARK	Lower Head Block, 20000-543
24	ORS9125	O-Ring, Silicone, 66200-108
25	YRA633	YAG Rod Assembly, Mounted, 50320-033
26	YRA634*	YAG Rod Assembly, Mounted, 5 mm 79 mm (Special upgrade)
27	YR479	YAG Rod, 4 mm × 79 mm
28	YR9555	YAG Rod, 5 mm × 79 mm (Special Upgrade)
29	LL209	Krypton Arc Lamp, 30 Amps, 80750-009 (90 Watt)
31	LFTSTARMARK	Lamp Flow Tube, 20000-038
32	H45	M3 × 16 Socket Cap
33	UHBSTARMARK	Upper Head Block, 20000-385
34	H19	M3 Nut
35	WFCP212	Water Fitting Clamp Plate, 20000-399
36	ICC212	Ignition Coil Cover, 20000-462
37	H126	M5 × 30 Nylon Pan Head
38	H41	M3 × 8 Socket Cap

### FREQUENTLY USED CONSUMABLES:

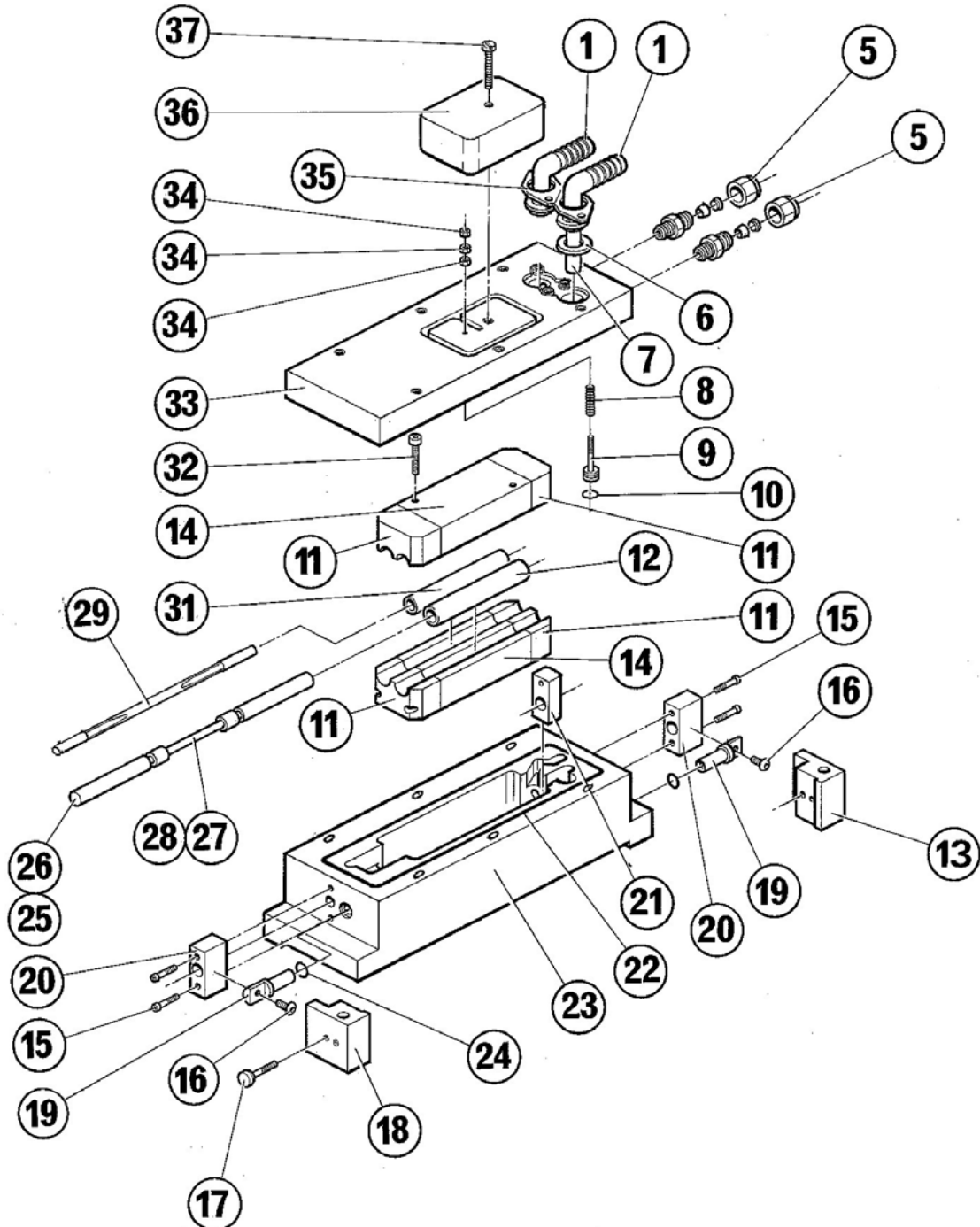
REFERENCE	ITEM	PART NUMBER
1	Lamp, 30Amp	LL209, 80750-008, 131100031
2	Lamp Flow Tube	LFTSTARMARK, 20000-638
3	Rod Flow Tube	RFT512C, 20000-041
4	O-Ring Kit	ORKSTARMARK
5	Multipurpose Filter	D6000, 10100-354
6	Front Mirror 70%	MR3M70RHC
7	Front Mirror 80%	MR3M80RHC
8	Rear Mirror HR	MR3M100RHC
9	Lamp Terminal Block Less Gold Lamp Band	LTB7000
10	Gold Lamp Band	LC708

Other consumables upon request.

# LAMP PUMPED LASER HEADS

High performance and reliability

## Part No: CHBASTARMARK90



# LAMP PUMPED LASER HEADS

High performance and reliability



**Part No: CHBASTARMARK150**

**LASER SYSTEMS:** Baasel Lasertechnik StarMark 150 W, AB Laser StarMark 100–150 Watt

**DESCRIPTION:** Single-Lamp Pumped Solid-State Laser Chamber used for cutting, marking & deep engraving applications.

## ASSEMBLIES:

REFERENCE	PART NUMBER	DESCRIPTION
1	ORKSTARMARK150	O-Ring Kit
2	GCSTARMARK150	Gold Cavity Assembly, Complete
3	BASTARMARK150	Head Block Assembly (Less Cavity, YAG Rod, Lamp & Carriage)
4	HBASTARMARK150	Head Block Assembly (Less YAG Rod, Lamp & Carriage)
5	CHBASTARMARK150	Complete Head Block Assembly, 5 mm × 125 mm



# Part No: CHBASTARMARK I 50

## LASER HEAD COMPONENTS:

REFERENCE	PART NUMBER	DESCRIPTION
1	WF052	Water Fitting, Elbow, 64630-019, 102103461
5	WF054	Water Fitting, Q-Switch, 64630-047
6	ORW6000	O-Ring Washer, Silicone, 66000-032
7	WFTSTARMARK	Water Fitting Tube, 64700-16
9	IC212	Ignition Contact, 20000-289
11	CEPSTARMARK I 50	Cavity End Plate
12	RFT11124	Rod Flow Tube
13	LPP212R	Lamp Pressure Plate, Rear, 20000-384
14	GCESTARMARK	Gold Cavity Ellipse
15	H36	M3 × 20 Socket Cap
16	H110	M5 × 7.5 Button Head
17	TS212	Thumb Screw
18	LPP212F	Lamp Pressure Plate, 20000-386
19	LTBA7000	Lamp Terminal Block Assembly, 10000-210
19A	LTB7000	Lamp Terminal Block Less Gold Lamp Band
20	RPP212	Rod Pressure Plate, 20000-386
21	TLS212	Teflon Light Shield, 20000-240
22	ORS212	O-Ring, Silicone, 66200-109
23	LHBSTARMARK	Lower Head Block, 20000-543
24	ORS9125	O-Ring, Silicone, 66200-108
25	YRASTAR I 50	YAG Rod Assembly, Mounted, 5 mm × 125 mm
26	YRASTAR4125	YAG Rod Assembly, Mounted, 4 mm × 125 mm
27	YR5125	YAG Rod, 5 mm × 125 mm
28	YR4125PG	YAG Rod, 4 mm × 125 mm, TEM <sub>00</sub>
29	LL700	Krypton Arc Lamp, 30 Amps, 80750-029 (150 Watt)
31	LFTSTARMARK I 50	Lamp Flow Tube
32	H45	M3 × 16 Socket Cap
33	UHBSTARMARK	Upper Head Block, 20000-385
34	H19	M3 Nut
35	WFCP212	Water Fitting Clamp Plate, 20000-399
36	ICC212	Ignition Coil Cover, 20000-462
37	H126	M5 × 30 Nylon Pan Head
38	H41	M3 × 8 Socket Cap

## FREQUENTLY USED CONSUMABLES:

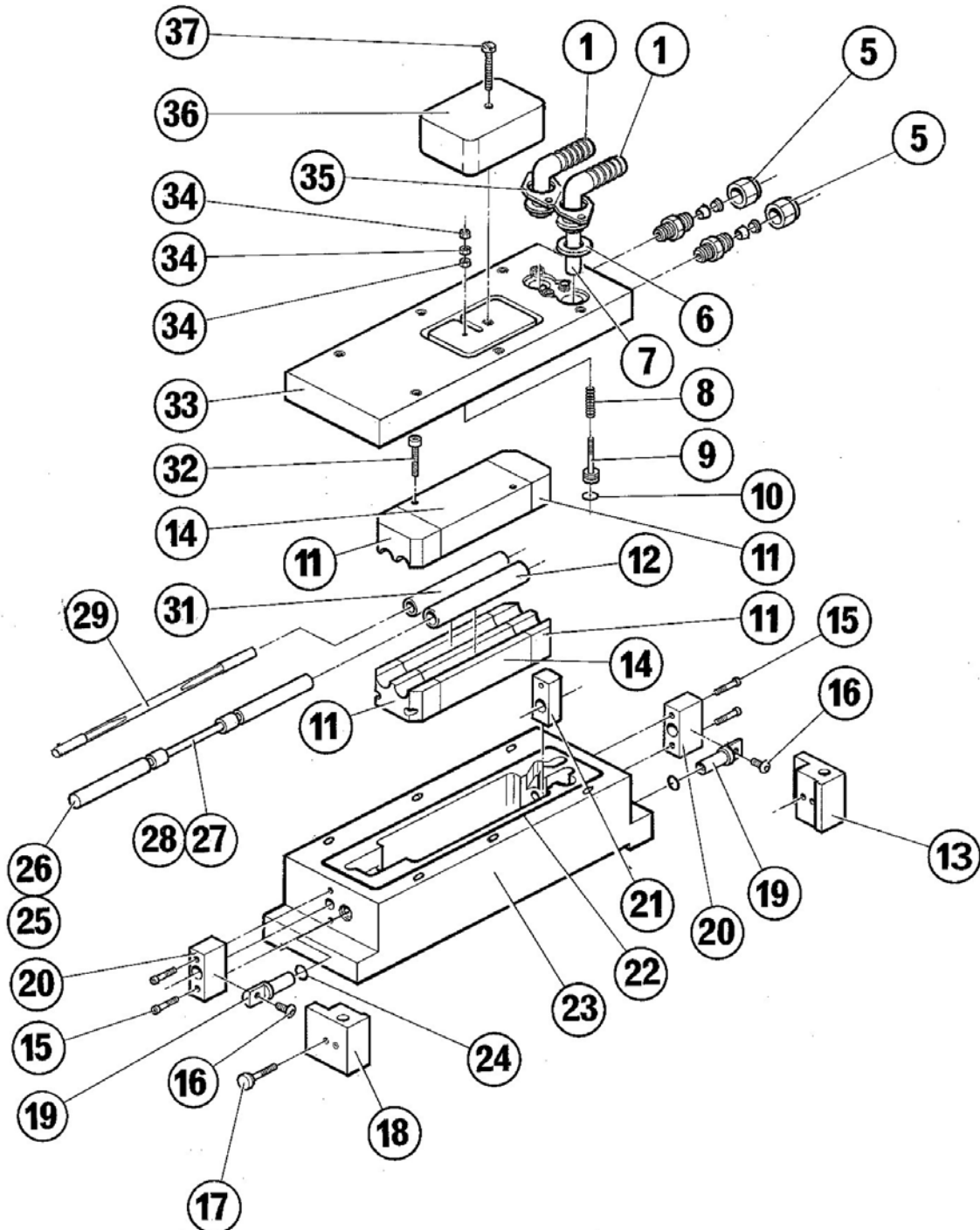
REFERENCE	ITEM	PART NUMBER
1	Lamp	LL700, 80750-029, 131100046
2	Lamp Flow Tube	LFTSTARMARK I 50, 101101486
3	Rod Flow Tube	RFT11124
4	O-Ring Kit	ORKSTARMARK I 50
5	Multi Purpose Filter	D6000, 10100-354
6	Front Mirror 70%	MR3M70RHC
7	Front Mirror 80%	MR3M80RHC
8	Rear Mirror HR	MR3M100RHC
9	Lamp Terminal Block Less Gold Lamp Band	LTB7000
10	Gold Lamp Band	LC708

Other consumables upon request.

# LAMP PUMPED LASER HEADS

High performance and reliability

## Part No: CHBASTARMARK I 50



Intelligent Solutions, Manufacturing & Development

# LAMP PUMPED LASER HEADS

High performance and reliability



## Part No: CHBASTARWELD

**LASER SYSTEMS:** Baasel Rofin StarWeld Series 4002, 5002, 6002

**DESCRIPTION:** Single-Lamp Pumped Solid-State Laser Chamber used for precision spot welding application.

### ASSEMBLIES:

REFERENCE	PART NUMBER	DESCRIPTION
1	ORKSTARWELD	O-Ring Kit
2	GC4002	Gold Cavity Assembly, Complete
3	BASTARWELD	Head Block Assembly (Less Cavity, YAG Rod, Lamp & Carriage)
4	HBASTARWELD	Head Block Assembly (Less YAG Rod, Lamp & Carriage)
5	CHBASTARWELD	Complete Head Block Assembly, 6.35mm Dia. Rod

## Part No: CHBASTARWELD

### LASER HEAD COMPONENTS:

REFERENCE	PART NUMBER	DESCRIPTION
1	WF052	Water Fitting, Elbow, 64630-019, 102103461
6	ORW6000	O-Ring Washer, Silicone, 66000-032
7	WFTSTARMARK	Water Fitting Tube, 64700-16
8	ICS212	Ignition Contact Spring
9	IC212	Ignition Contact, 20000-289
11	CEP6000T	Cavity End Plate, 20000-238
13	LPP212R	Lamp Pressure Plate, Rear, 20000-384
14	GCE4002	Gold Cavity Ellipse, 20000-023
15	H36	M3 X 20 Socket Cap
16	H110	M5 X 7.5 Button Head
17	TS212	Thumb Screw
18	LPP212F	Lamp Pressure Plate, 20000-386
19	LTBA7000	Lamp Terminal Block Assembly, includes lamp band 10000-210
20	RPP212	Rod Pressure Plate, 20000-386
21	TLS212	Teflon Light Shield, 20000-240
22	ORS212	O-Ring, Silicone, 66200-109
23	LHBSTARWELD	Lower Head Block
24	ORS9125	O-Ring, Silicone, 66200-108
26	YRA7000	YAG Rod Assembly, Mounted, 6.35mm Dia.
27	YR254	YAG Rod, 6.35mm, Unmounted
29	LL9600	Flash Lamp, 80750-013, 131100035
30	LL9615	Flash Lamp, 80750-027, 131100044
31	FG1002016	Flow Plate, 908-313-00
32	H45	M3 X 16 Socket Cap
33	UHBSTARWELD	Upper Head Block
34	H19	M3 Nut
35	WFCP212	Water Fitting Clamp Plate, 20000-399
36	ICC212	Ignition Coil Cover, 20000-462
37	H126	M5 X 30 Nylon Pan Head
38	H41	M3 X 8 Socket Cap

### FREQUENTLY USED CONSUMABLES:

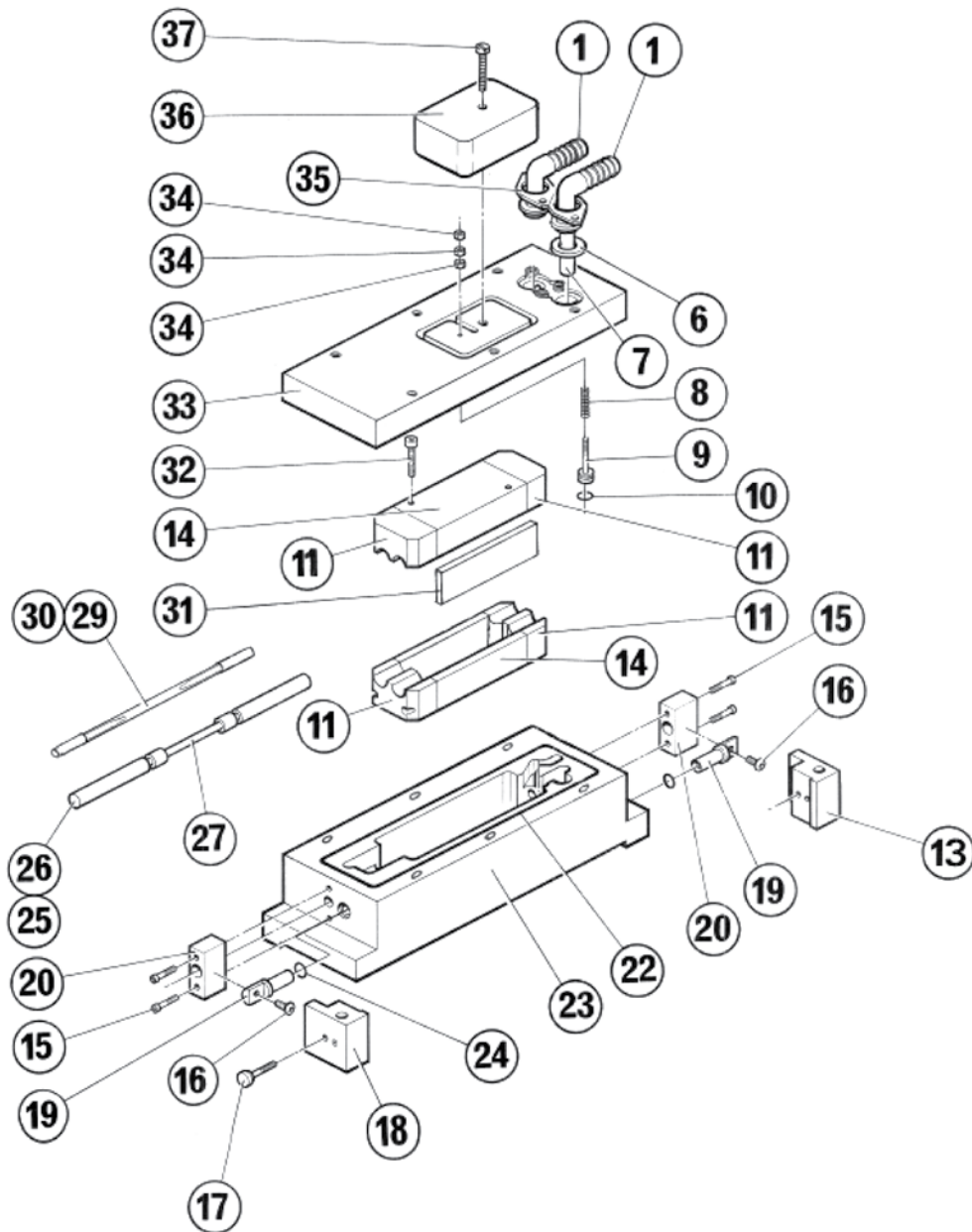
REFERENCE	ITEM	PART NUMBER
1	Lamp, 30Amp	LL166 80750-009, 131100032, 131100054
2	Lamp Flow Tube	LFTSTARMARK 20000-038
3	Rod Flow Tube	RFT512C 20000-041
4	O-Ring Kit	ORKSTARMARK
5	Multi Purpose Filter	D6000 10100-354
6	Front Mirror 35%	MR3M35RHC
7	Rear Mirror -1MCC	MR3M100R1MCCHC
8	Rear Mirror -5MCC	MR3M100R5MCCHC
9	Lamp Terminal Block, Less Gold Band	LTB7000

Other consumables upon request.

# LAMP PUMPED LASER HEADS

High performance and reliability

## Part No: CHBASTARWELD



# LAMP PUMPED LASER HEADS

High performance and reliability

## NOTES

---



## LASER S.O.S. GROUP

TECHNOLOGY AND MARKET DRIVEN COMPANY!

Copyright © 2009 Laser S.O.S.

Unit 3, Burrell Road, St. Ives, Cambs, PE27 3LE, England.

Tel.: +44 (0) 1480 460990; Fax: +44 (0) 1480 469978

E-mail: [sales@lasersos.com](mailto:sales@lasersos.com)

[www.lasersos.com](http://www.lasersos.com)

